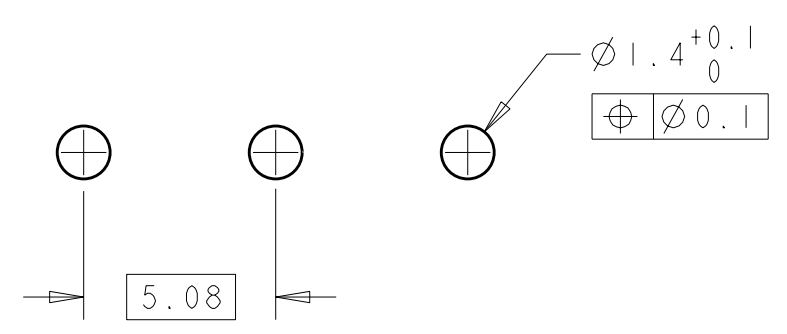
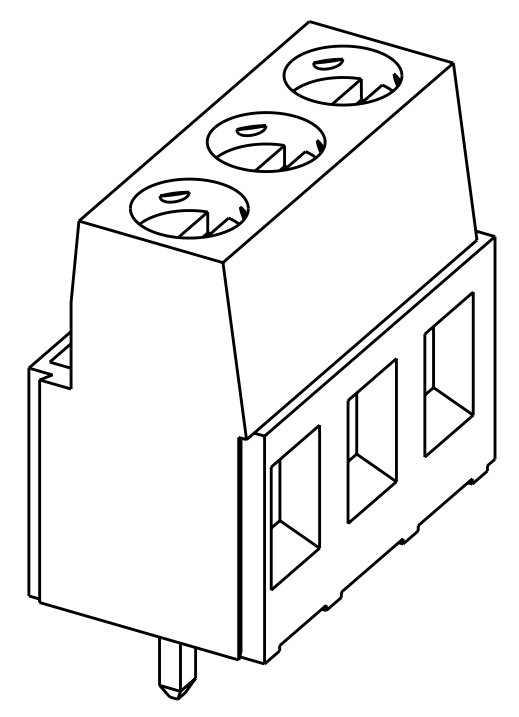
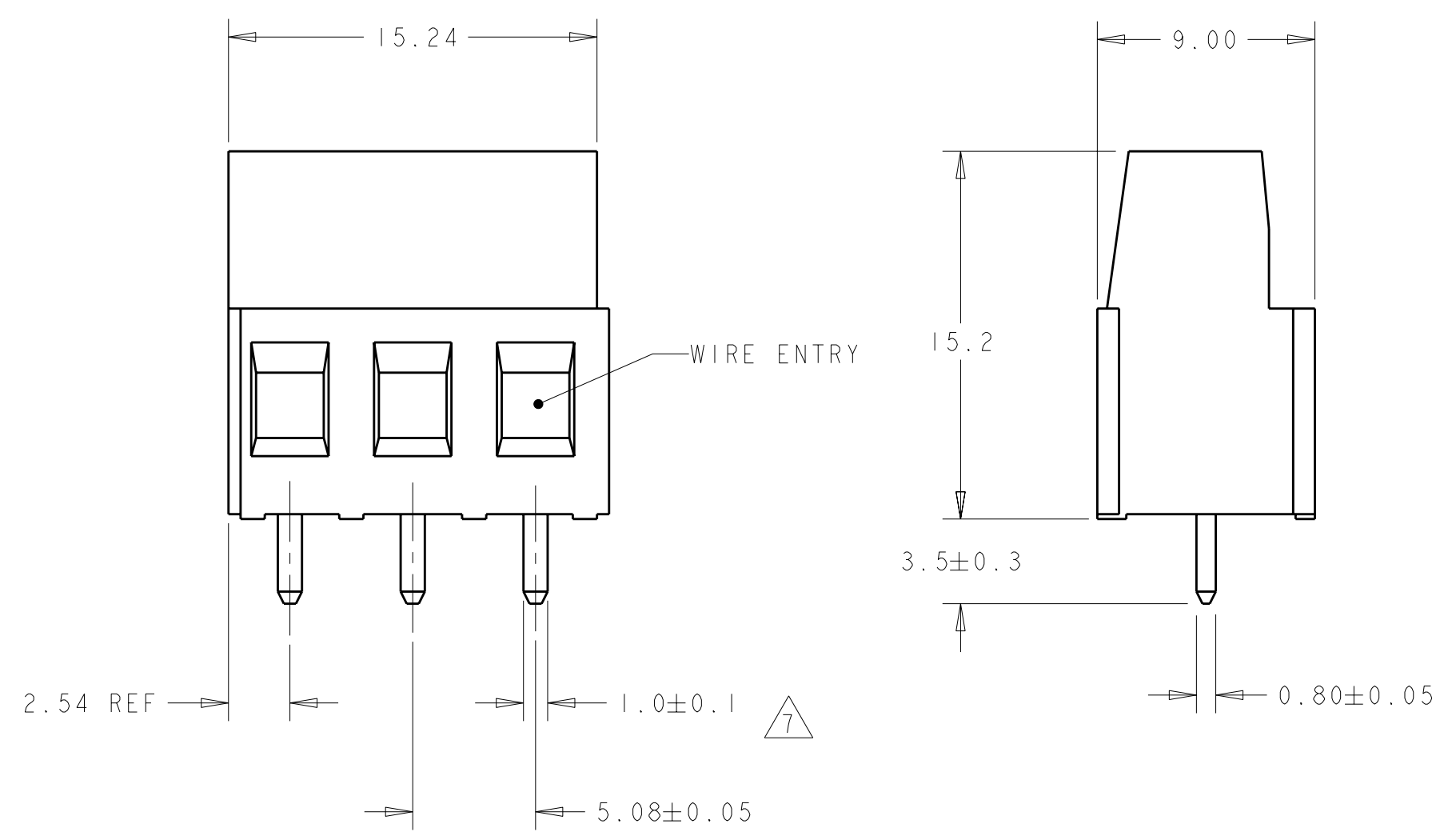
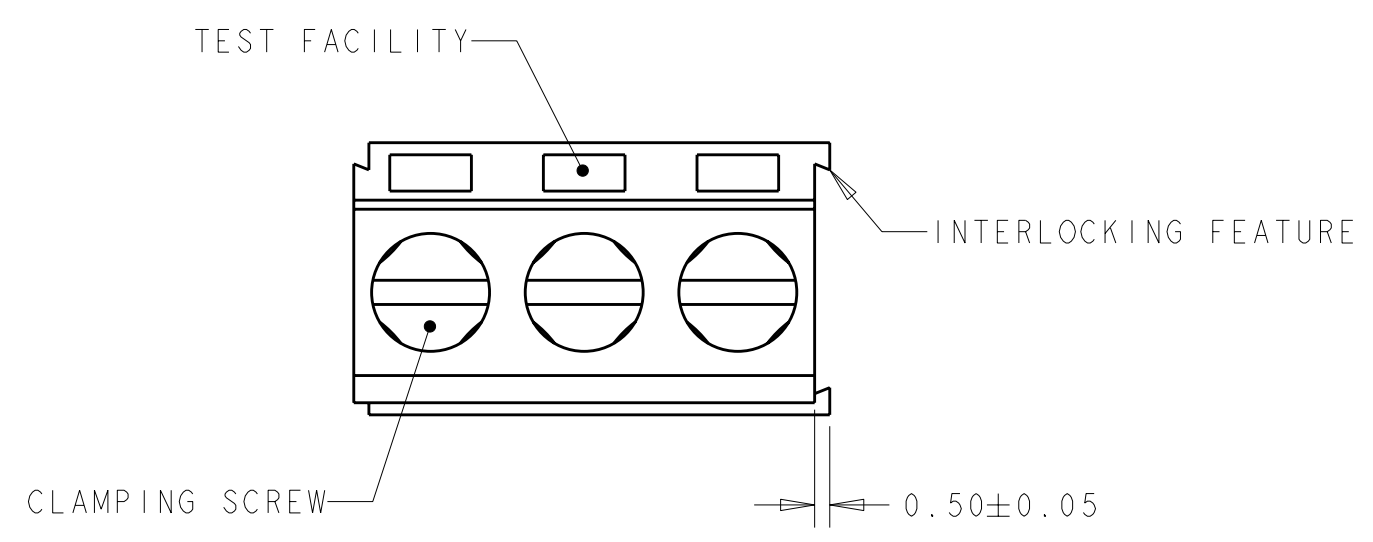


THIS DRAWING IS UNPUBLISHED. RELEASED FOR PUBLICATION 20  
 © COPYRIGHT 20 ALL RIGHTS RESERVED.

LOC	DIST	REVISIONS					
FT	0	P	LTR	DESCRIPTION	DATE	DWN	APVD
			DI	REVISED PER ECO-11-005294	06APR2011	RK	HMR

1. MATERIALS AND FINISH:  
 HOUSING: PA 6-6, UL 94-V0, COLOR:BLACK.  
 CLAMP: BRASS, NICKEL PLATED.  
 TERMINAL: BRASS, TIN PLATED.  
 CLAMPING SCREW: M3, BRASS, NICKEL PLATED.
2. SUITABLE FOR 1,6-2,4mm. PCB THICKNESS.
3. END-TO-END STACKABLE W/INTERLOCK WITHOUT LOSS OF CENTERLINE SPACING.
4. WIRE SIZE RANGE: 12 - 30 AWG
5. RECOGNIZED UNDER THE COMPONENT PROGRAM OF UNDERWRITERS LABORATORIES INC. FILE No E60677.
6. IMQ CERTIFICATE WITH SURVEILLANCE IN CONFORMITY WITH IEC 998-1/998-2-1.
7. NOT CUMULATIVE TOLERANCE.
8. WHITE INK STAMPING.
9. BUCHANAN LOGO TO APPEAR ON HOUSING, LOCATION OPTIONAL, WHERE SPACE PERMITS.



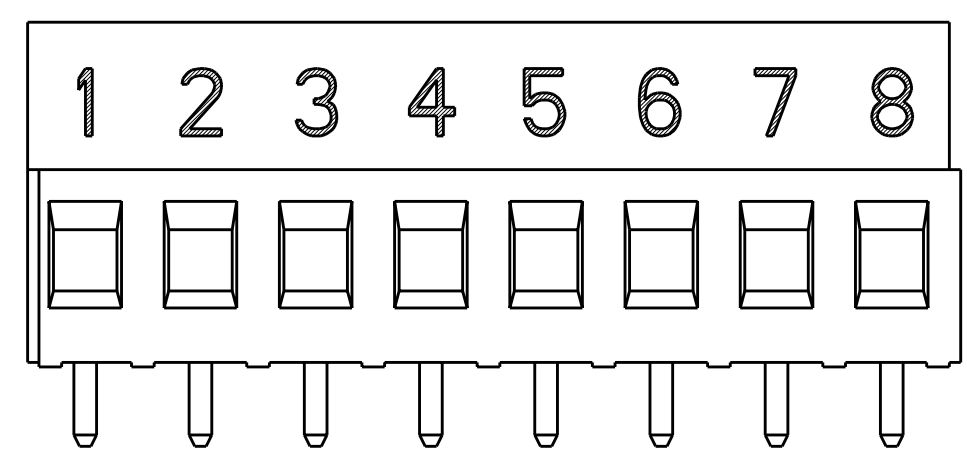
RECOMMENDED PC BOARD LAYOUT  
 SCALE 5:1

SEE DETAIL P	30.48	6	3-796949-1
SEE DETAIL N	10.16	2	3-796949-0
SEE DETAIL M	40.64	8	2-796949-9
SEE DETAIL L	40.64	8	2-796949-8
-	127.00	25	2-796949-5
-	121.92	24	2-796949-4
-	116.84	23	2-796949-3
-	111.76	22	2-796949-2
-	106.68	21	2-796949-1
-	101.60	20	2-796949-0
-	96.52	19	1-796949-9
-	91.44	18	1-796949-8
-	86.36	17	1-796949-7
-	81.28	16	1-796949-6
-	76.20	15	1-796949-5
-	71.12	14	1-796949-4
-	66.04	13	1-796949-3
-	60.96	12	1-796949-2
-	55.88	11	1-796949-1
-	50.80	10	1-796949-0
-	45.72	9	796949-9
-	40.64	8	796949-8
-	35.56	7	796949-7
-	30.48	6	796949-6
-	25.40	5	796949-5
-	20.32	4	796949-4
-	15.24	3	796949-3
-	10.16	2	796949-2
MARKING	A	POSN	PART NUMBER

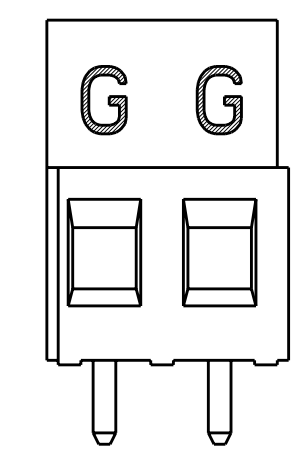
THIS DRAWING IS A CONTROLLED DOCUMENT.		DWN S. WELDON 22AUG2001	TE Connectivity TERMINAL BLOCK PCB MOUNT W/INTERLOCK, 5.08mm PITCH		
DIMENSIONS: mm		CHK D. BIEVENOUR 22AUG2001			NAME
TOLERANCES UNLESS OTHERWISE SPECIFIED:		APVD D. BIEVENOUR 22AUG2001			SIZE CAGE CODE DRAWING NO
0 PLC ±0 1 PLC ±.3 2 PLC ±.25 3 PLC ±0 4 PLC ±0 ANGLES ±2° FINISH		PRODUCT SPEC -			RESTRICTED TO -
MATERIAL		APPLICATION SPEC -	WEIGHT -	A200779C-796949	
		WEIGHT -	CUSTOMER DRAWING	SCALE 4:1 SHEET 1 OF 2 REV DI	

THIS DRAWING IS UNPUBLISHED.      RELEASED FOR PUBLICATION      20  
 © COPYRIGHT 20      ALL RIGHTS RESERVED.

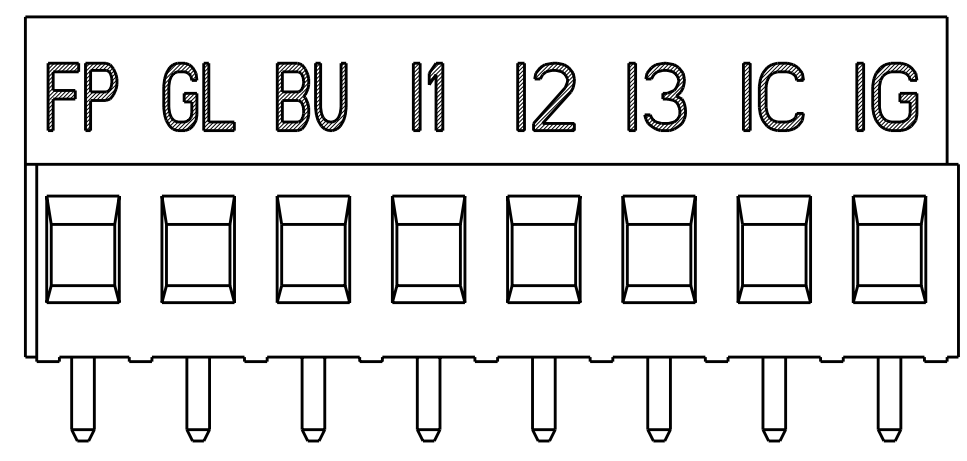
LOC	DIST	REVISIONS				
P	LTR	DESCRIPTION	DATE	DWN	APVD	
FT	0	-	SEE SHEET 1	-	-	



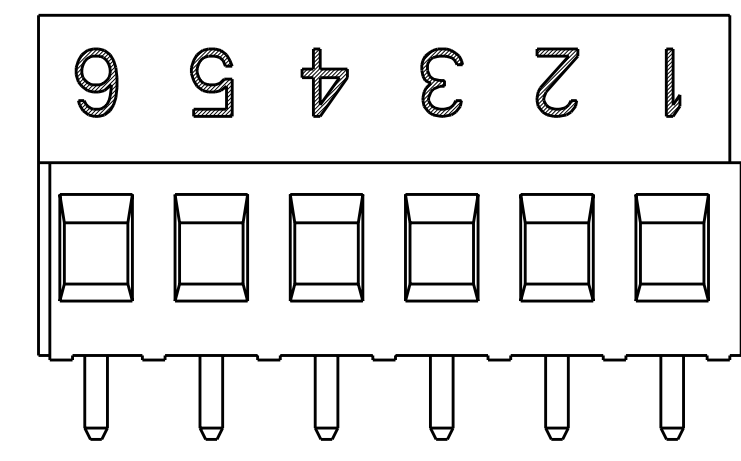
DETAIL L  $\triangle$  8



DETAIL N  $\triangle$  8



DETAIL M  $\triangle$  8



DETAIL P  $\triangle$  8

THIS DRAWING IS A CONTROLLED DOCUMENT.		DWN S. WELDON	22AUG2001	<b>STE</b> TE Connectivity
DIMENSIONS: mm		CHK D. BIEVENOUR	22AUG2001	
TOLERANCES UNLESS OTHERWISE SPECIFIED:		APVD D. BIEVENOUR	22AUG2001	
<ul style="list-style-type: none"> <li>0 PLC    ±0</li> <li>1 PLC    ±.3</li> <li>2 PLC    ±.25</li> <li>3 PLC    ±0</li> <li>4 PLC    ±0</li> <li>ANGLES    ±2°</li> <li>FINISH</li> </ul>		PRODUCT SPEC	-	
MATERIAL	-	APPLICATION SPEC	-	NAME TERMINAL BLOCK PCB MOUNT W/INTERLOCK, 5.08mm PITCH
		WEIGHT	-	SIZE    CAGE CODE    DRAWING NO    RESTRICTED TO
		CUSTOMER DRAWING		A200779    C-796949    -
		SCALE	4:1	SHEET 2 OF 2    REV D1

# Mouser Electronics

Authorized Distributor

Click to View Pricing, Inventory, Delivery & Lifecycle Information:

[TE Connectivity:](#)

[796949-3](#)