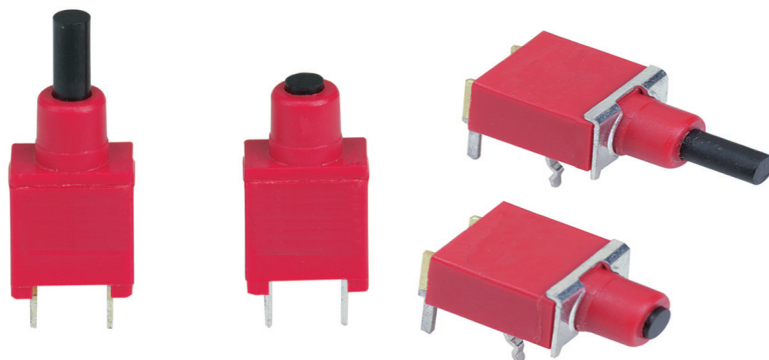


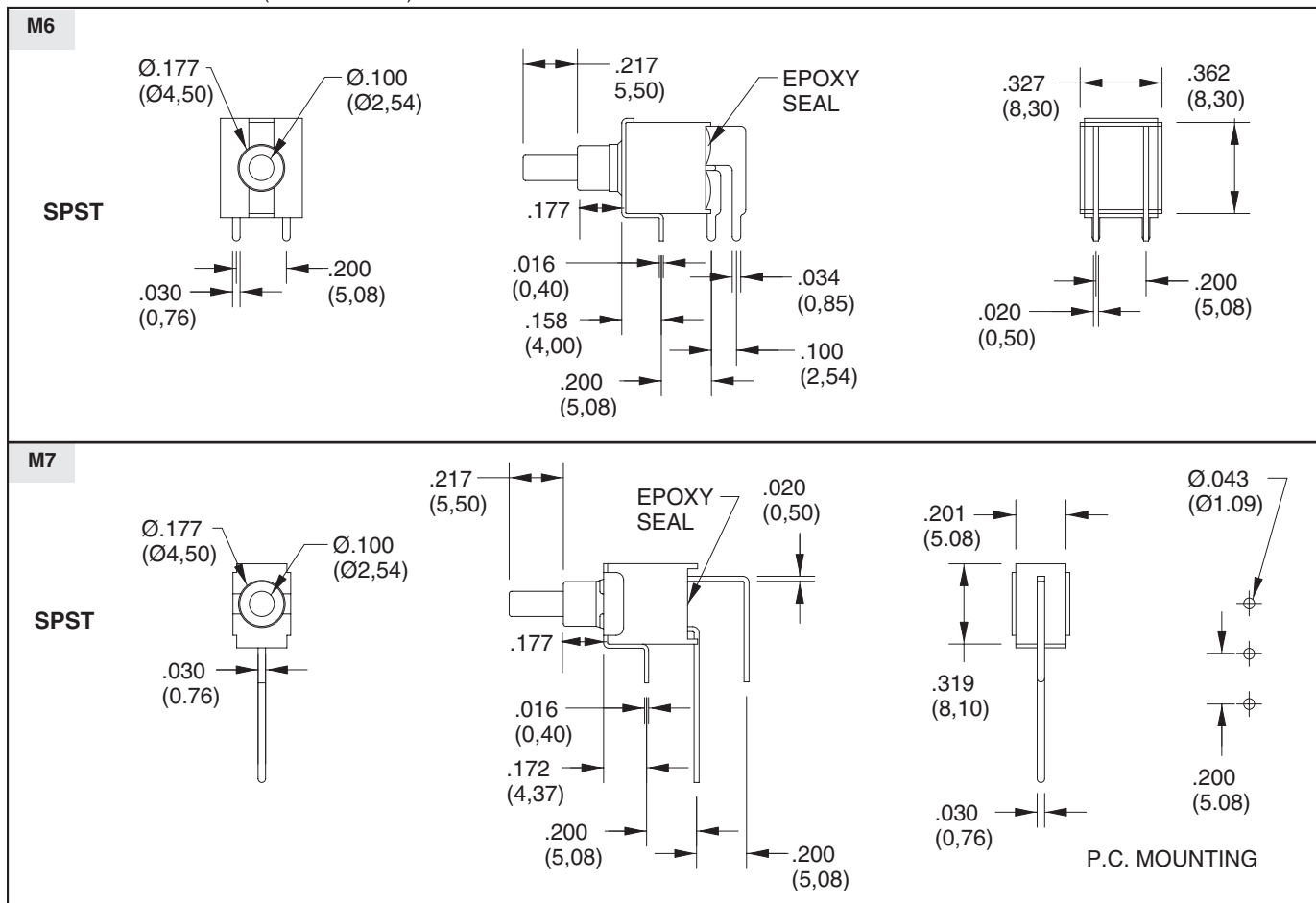
SERIES 38G
Sealed Subminiature
Pushbutton Switches

FEATURES

- Drop-In Replacement for Industry Standard
- Choice of Terminations
- Printed Circuit Board Mount
- SPST, DPST and SPDT Momentary Contact
- Sealed Per IP67



DIMENSIONS in inches (and millimeters)

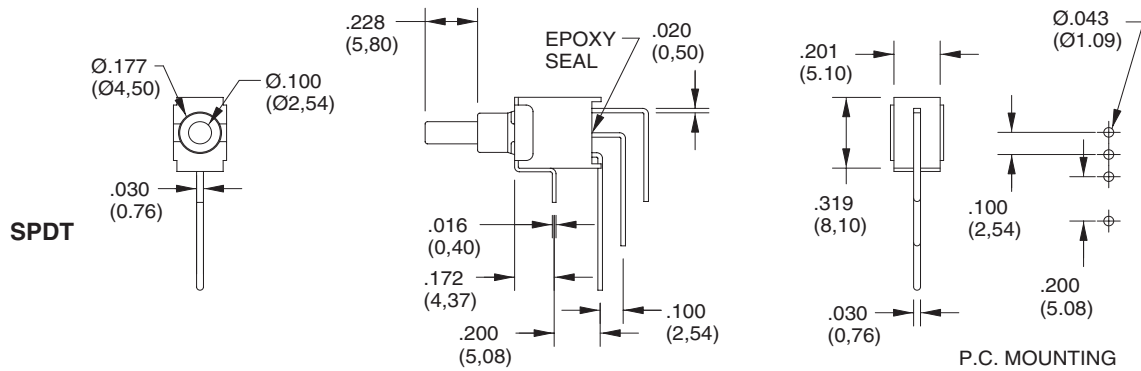
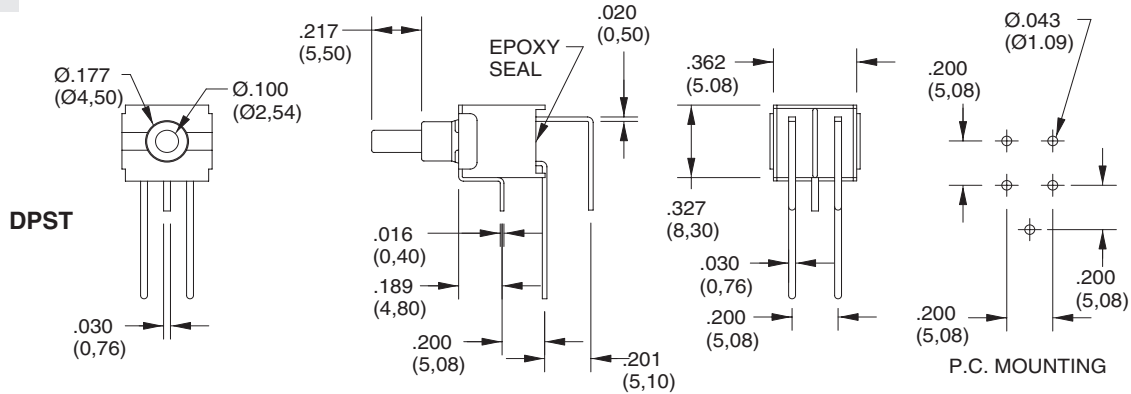


Pushbutton Switches

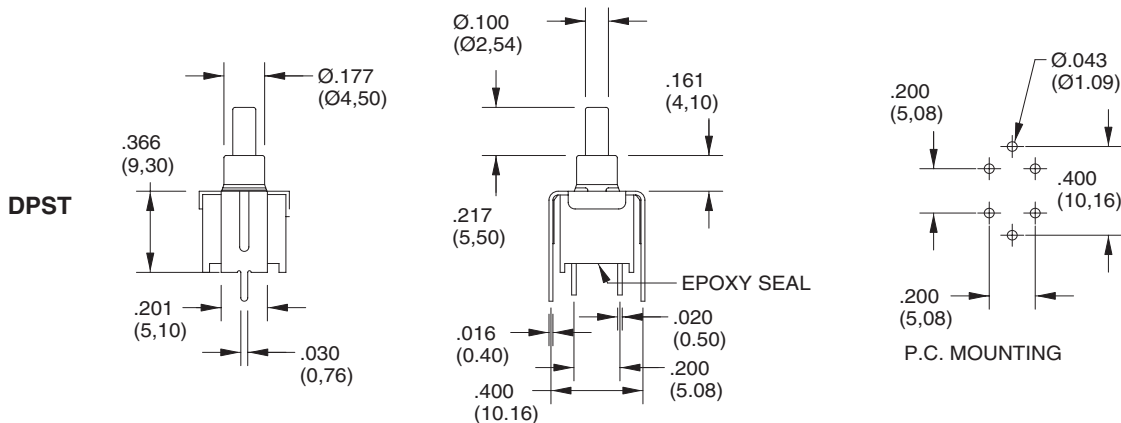
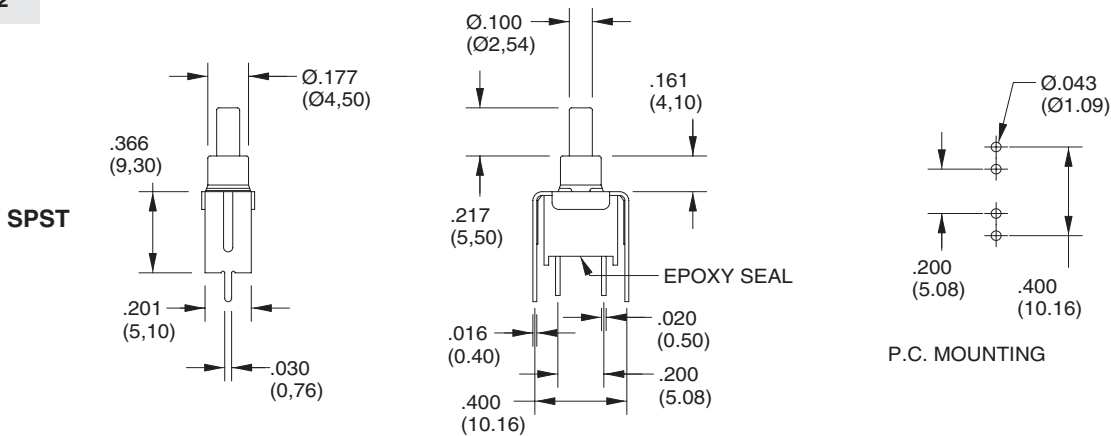
SERIES 38G

DIMENSIONS in inches (and millimeters)

M7

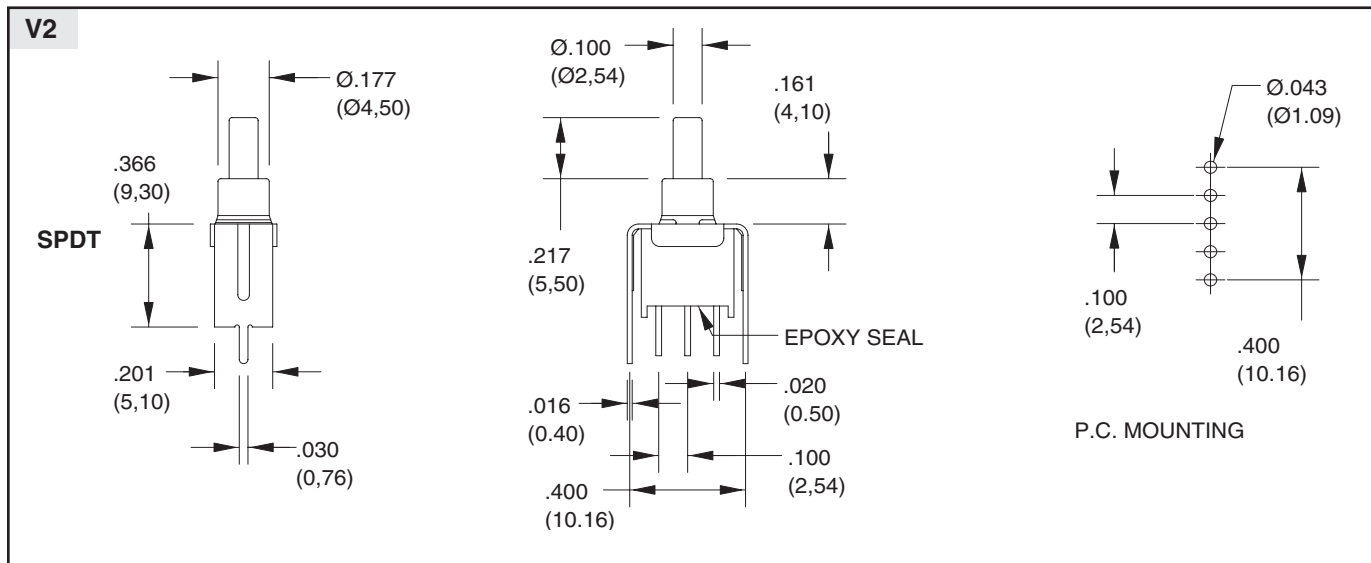


V2

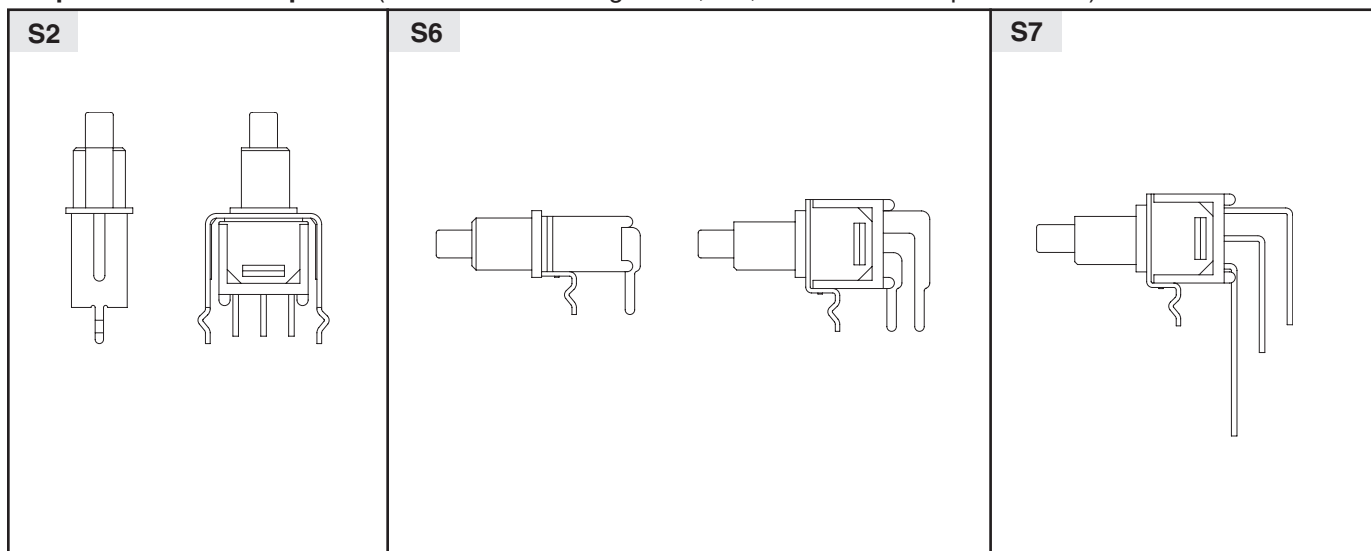


SERIES 38G

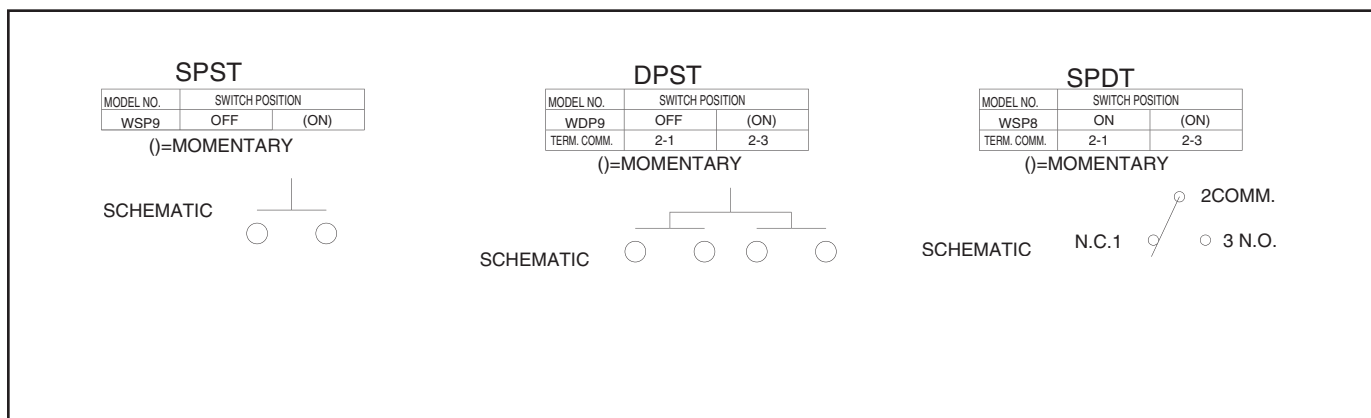
DIMENSIONS in inches (and millimeters)



Snap-in Termination Options (Same P.C. mounting as V2, M6, M7 but with snap-in bracket)



Circuitry



Pushbutton Switches

SERIES 38G

SPECIFICATIONS

Rating Criteria

Operating Life: 30,000 make-and-break cycles at full load

Contact Rating (resistive load):

R Option: 0.4 VA maximum at 20 Vac or Vdc maximum

G Option: 1A max at 125 Vac or 28 Vdc

Contact Resistance: 20 milliohms max initial at 2-4 Vdc, 100 mA

Insulation Resistance: 1000 megaohms minimum

Voltage Breakdown: 1500 Vrms minimum at sea level

Operating Temperature: -30°C. to +85°C.

Materials and Finishes

Case: Glass filled Nylon 6/6 (UL 94V-0)

Plunger: Thermoplastic Polyester(UL 94V-0) (with internal o-ring seal)

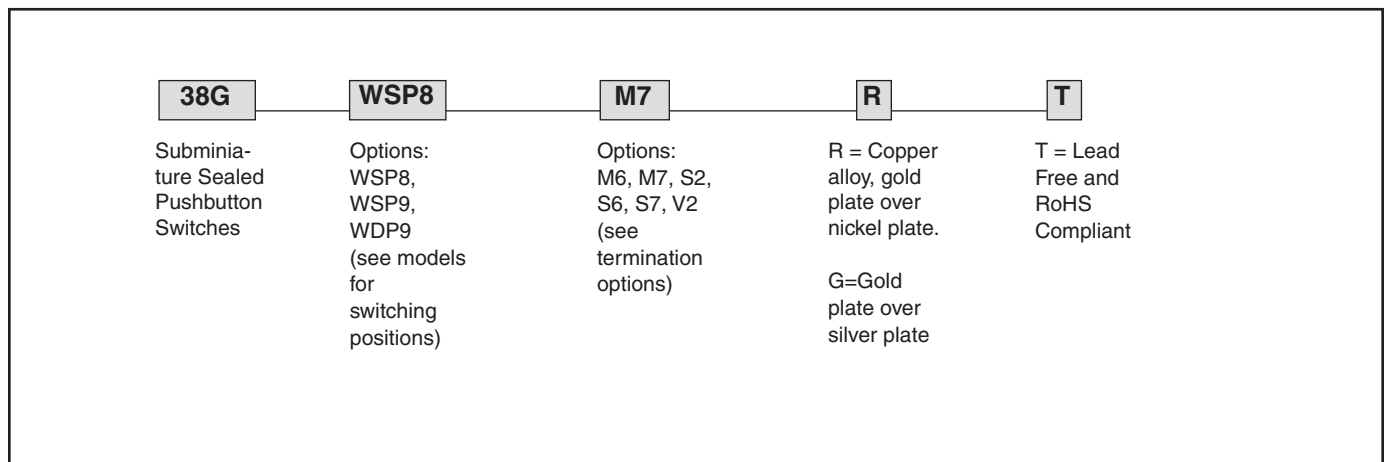
Terminals: Copper alloy

Spring: Plated Music Wire

Contact System: Copper alloy

Switch Support: Brass, tin-plated

ORDERING INFORMATION



Mouser Electronics

Authorized Distributor

Click to View Pricing, Inventory, Delivery & Lifecycle Information:

Grayhill:

[38GWDP9S6GT](#) [38GWSP9V2RT](#) [38GWSP9M7RT](#) [38GWDP9M7RT](#) [38GWSP9M6RT](#) [38GWSP9S7RT](#)
[38GWSP8M7RT](#) [38GWSP9S2RT](#)