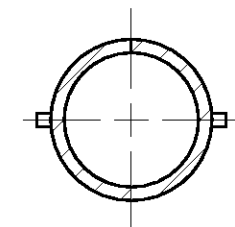
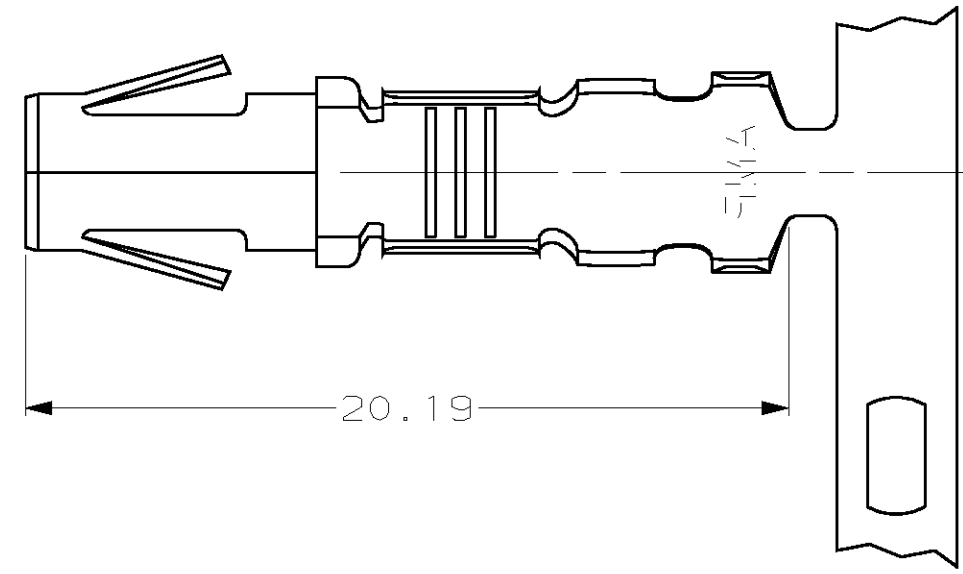


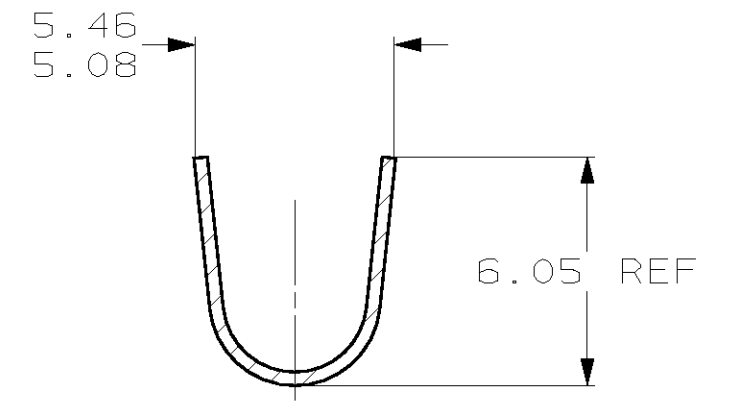
THIS DRAWING IS UNPUBLISHED. RELEASED FOR PUBLICATION .19
 (C) COPYRIGHT 19 BY AMP INCORPORATED. ALL RIGHTS RESERVED.

LOC		DIST		REVISIONS			
P	LTR	DESCRIPTION		DATE	DWN	APVD	
CM	53	E		REV & REDWN PER EC 0G1B-0217-98	29OCT98	TB	RS

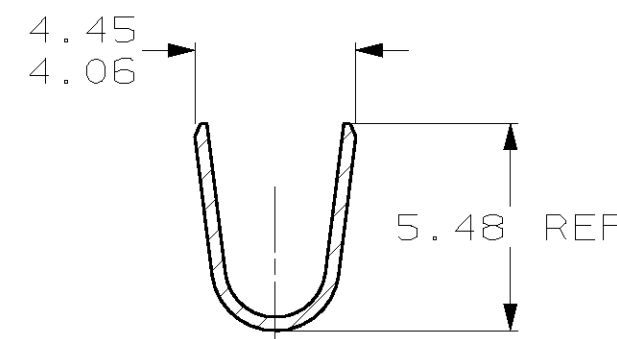
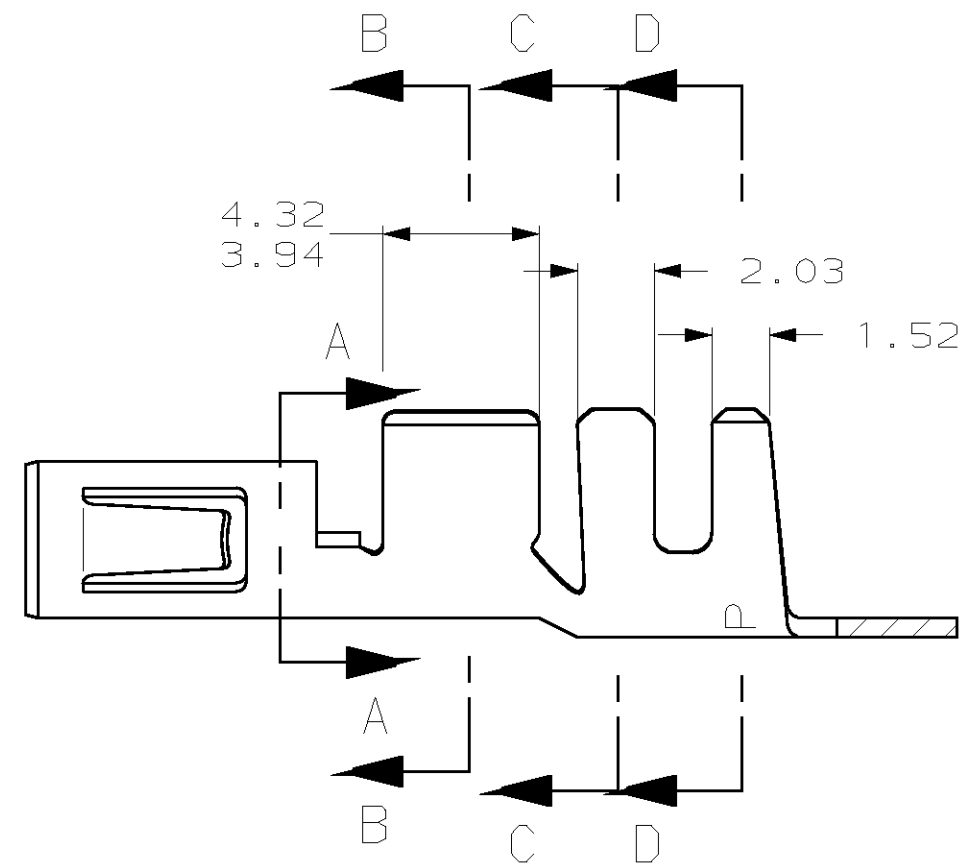
1. WIRE RANGE: 2 - 6 mm² (14 - 10 AWG)
2. INSULATION RANGE: 2.54 - 4.57
3. FRICTION FIT ON A 3.56 DIAMETER PIN.



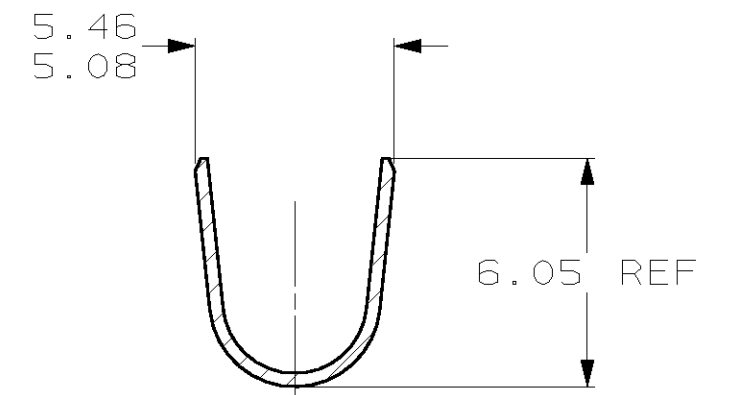
SECTION A-A



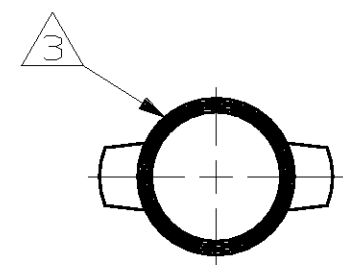
SECTION C-C



SECTION B-B



SECTION D-D



PRE TIN	0.36 PH BRZ	350200-2
PRE TIN	0.35 BRASS	350200-1
FINISH	MATERIAL	PART NUMBER

2.03	.080	4.32	.170	5.48	.216	-	-
1.52	.060	4.06	.160	5.46	.215	-	-
0.36	.014	3.94	.155	5.08	.200	-	-
0.35	.014	3.56	.140	4.57	.180	20.19	.795
0.13	.005	2.54	.100	4.45	.175	6.05	.238
MM	IN	MM	IN	MM	IN	MM	IN

CONVERSION TABLE

METRIC

THIS DRAWING IS A CONTROLLED DOCUMENT.

DWN	T. BECK	29OCT1998
CHK	R. SWING	29OCT1998
APVD	C. MARTIN	16NOV1998

AMP Incorporated
Harrisburg, PA 17105-3608

AMP

SOCKET, .140 PIN & SOCKET CONNECTOR

SIZE	A2	CAGE CODE	00779	DRAWING NO	C-350200	RESTRICTED TO	-	
WEIGHT	-	CUSTOMER DRAWING	SCALE	5:1	SHEET	1 OF 1	REV	E

Mouser Electronics

Authorized Distributor

Click to View Pricing, Inventory, Delivery & Lifecycle Information:

[TE Connectivity:](#)

[350200-1](#)