

THIS DRAWING IS UNPUBLISHED.

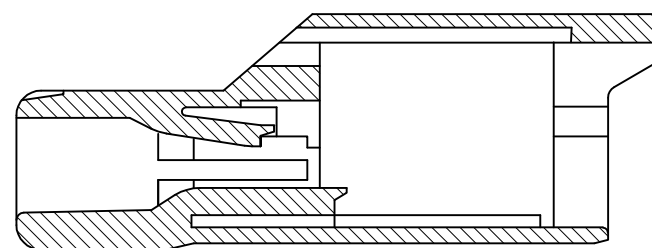
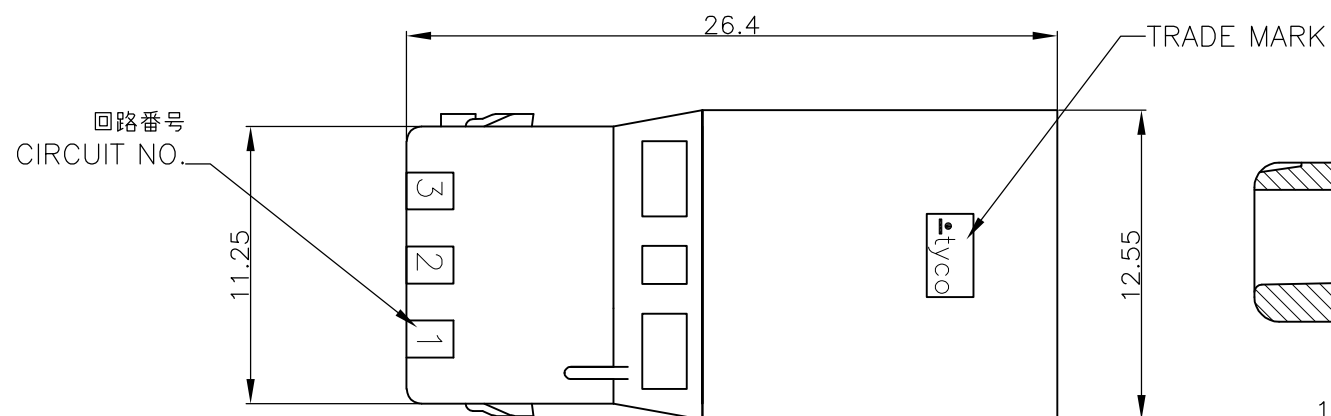
RELEASED FOR PUBLICATION

REVISIONS

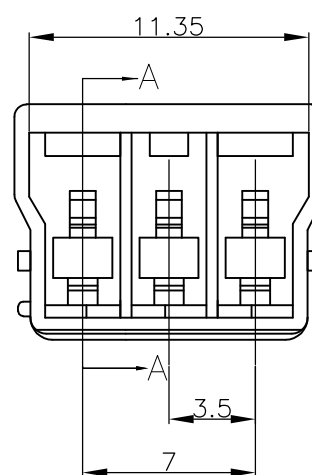
© COPYRIGHT - By -

ALL RIGHTS RESERVED.

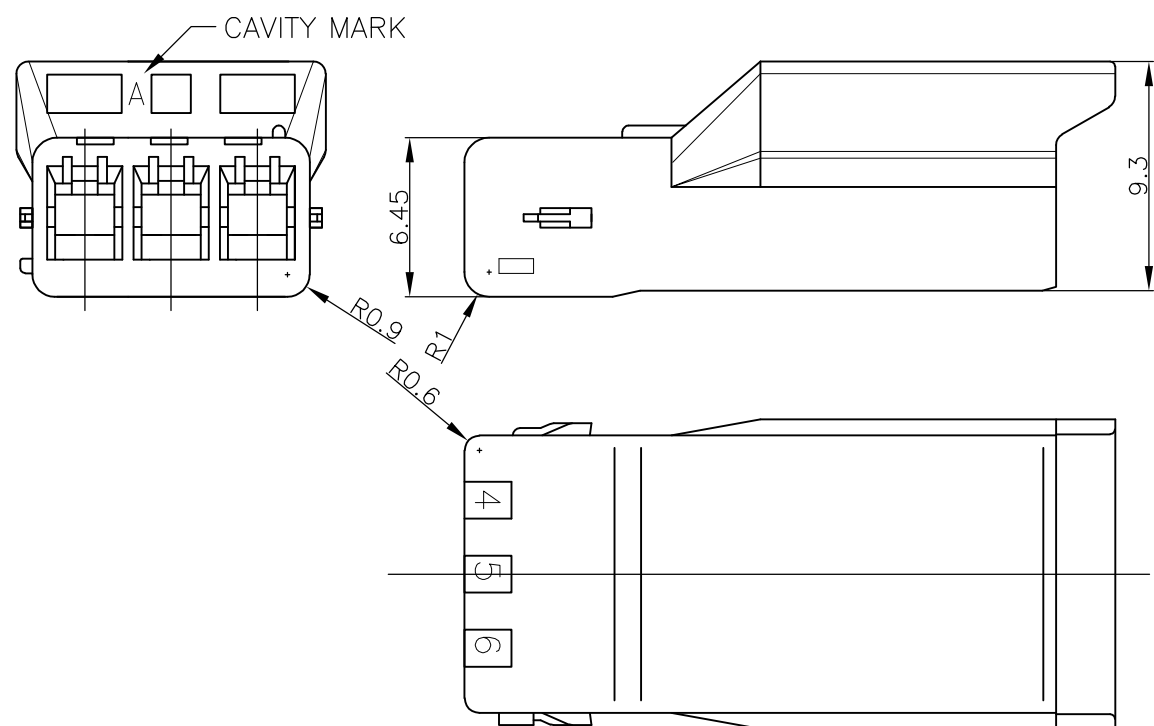
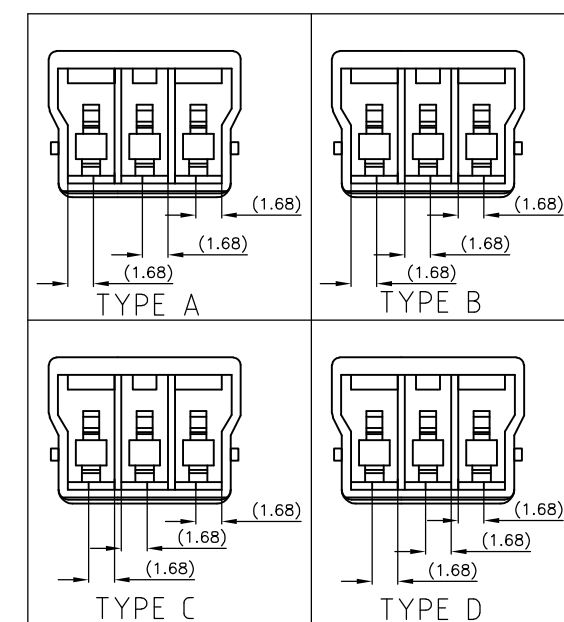
P	LTR	DESCRIPTION	DATE	DWN	APVD
	A	REVISED PER ECR-16-012198	05SEP2016	SC	BW



断面A-A
SECT. A-A



KEYING TYPE



注) 1.一般公差:±0.25

△材料:66ナイロン ガラス無(UL94V-0)

△かん合相手製品型番

プラグハウジング: TABLE参照のこと

タブコンタクト: 1565080-1,1612335-1

4. 適応プレート型番: 1565090-1

NOTES)

1.GENERAL TOLERANCE:±0.25

△MATERIAL:66 NYLON NON-GLASS FILLED (UL94V-0)

△ MATING CONN. P/N

PLUG HOUSING:SEE TABLE

TAB CONTACT ;1565080-1,1612335-1

4. APPLICABLE PLATE P/N :1565090-1

1565082-5	A	GREEN	1565086-5
3-1565082-4	D	YELLOW	3-1565086-4
2-1565082-3	C	BLUE	2-1565086-3
1-1565082-2	B	RED	1-1565086-2
1565082-1	A	NATURAL	1565086-1
△ MATING HSG P/N	KEYING TYPE	COLOR	P/N

THIS DRAWING IS A CONTROLLED DOCUMENT.		DWN A.OISHI 30 MAY. '02	STE TE Connectivity		
DIMENSIONS: mm		CHK M.SHINDO 30 MAY. '02			
TOLERANCES UNLESS OTHERWISE SPECIFIED:		APVD M.SHINDO 30 MAY. '02	NAME		
0 PLC ± -		PRODUCT SPEC	GRACE INERTIA CONNECTOR 3.5		
1 PLC ± -		108-5810	3POS CAP HOUSING		
2 PLC ± -		APPLICATION SPEC	グレイス・イナーシャ・コネクタ 3.5 3極 キャップハウジング		
3 PLC ± -		114-5306	SIZE	CAGE CODE	DRAWING NO
4 PLC ± -		WEIGHT	A3	00779	C=1565086
ANGLES ± -		CUSTOMER DRAWING	RESTRICTED TO	-	
FINISH -		SCALE -	SHEET 1 OF 1	REV A	

Mouser Electronics

Authorized Distributor

Click to View Pricing, Inventory, Delivery & Lifecycle Information:

[TE Connectivity:](#)

[2-1565086-3](#)