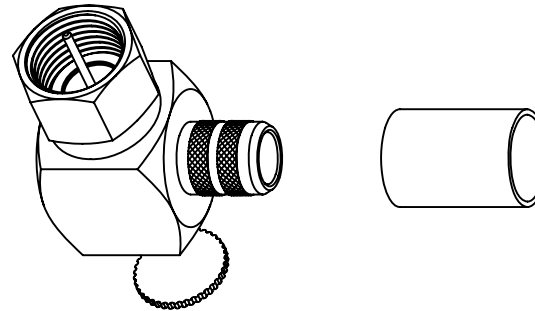
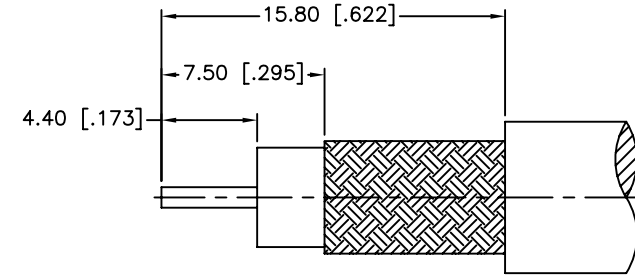
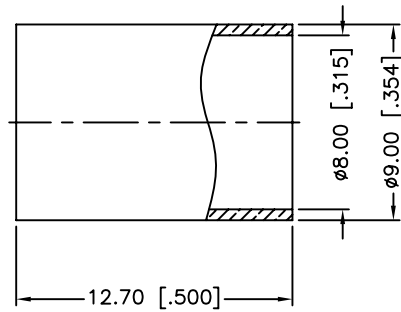
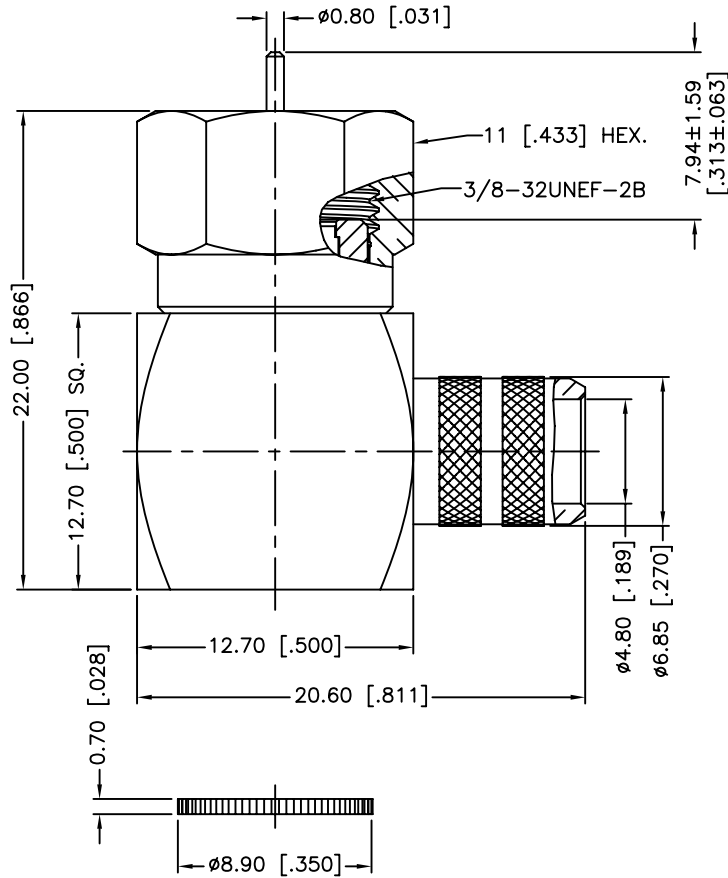


| REV. | DATE | ECR NO. | DESCRIPTION |
|------|----------|---------|---|
| NC | 12/06/99 | XXXXXX | INITIAL RELEASE |
| A | 01/13/00 | XXXXXX | ADD CABLE CALLOUT TO DESCRIPTION |
| B | 09/26/05 | XXXXXX | UPDATE DRAWING FORMAT |
| C | 12/10/12 | 2412 | CHANGE CENTER CONTACT LENGTH, UPDATE DRAWING FORMAT |



1. IMPEDANCE: 75 OHM
2. FREQUENCY RANGE: DC 0-3 GHz
3. VSWR(RETURN LOSS): -20dB MIN.
4. DURABILITY: 100 CYCLES MIN.
5. TEMPERATURE RANGE: -40°C TO +140°C
6. CRIMPED FERRULE
HEX CRIMP SIZE .320"

| DESCRIPTION | MATERIAL | FINISH | QTY |
|---------------|----------|---------|-----|
| 7 FERRULE | BRASS | NICKEL | 1 |
| 6 COVER | BRASS | NICKEL | 1 |
| 5 CONTACT PIN | BRASS | GOLD | 1 |
| 4 SHELL | BRASS | NICKEL | 1 |
| 3 INSULATOR | PTFE | NATURAL | 1 |
| 2 BODY | BRASS | NICKEL | 1 |
| 1 HOUSING | BRASS | NICKEL | 1 |

UNLESS OTHERWISE SPECIFIED DIMENSIONS ARE IN MILLIMETERS. DIMENSIONS IN [] ARE IN INCHES AND FOR CUSTOMER REFERENCE ONLY.

UNLESS OTHERWISE SPECIFIED TOLERANCES FOR MILLIMETERS ARE:
0.5 - 8mm ± 0.20mm
8 - 30mm ± 0.40mm
30 - 120mm ± 0.50mm

UNLESS OTHERWISE SPECIFIED TOLERANCES FOR INCHES ARE:
.020 - .315 = ± 0.007"
.315 - 1.180 = ± 0.015"
1.180 - 4.724 = ± 0.020"

DO NOT SCALE DRAWING

| APPROVALS | DATE |
|---------------|----------------------|
| DRAWN M.ZHANG | 12/10/12 |
| CHECKED | |
| ISSUED | |
| SHEET 1 OF 1 | |
| CAD FILE | C:/CONNEX/222164.DWG |

| PART DESCRIPTION | | | |
|---|------------|--------|----|
| Amphenol Connex | | | |
| F R/A CRIMP PLUG (FOR RG-6/U CABLE - 75 ohm) | | | |
| PART NO. | | 222164 | |
| DWG. NO. | 222164.DWG | REV. | C |
| SIZE | A | SCALE | NA |

Mouser Electronics

Authorized Distributor

Click to View Pricing, Inventory, Delivery & Lifecycle Information:

[Amphenol:](#)

[222164](#)