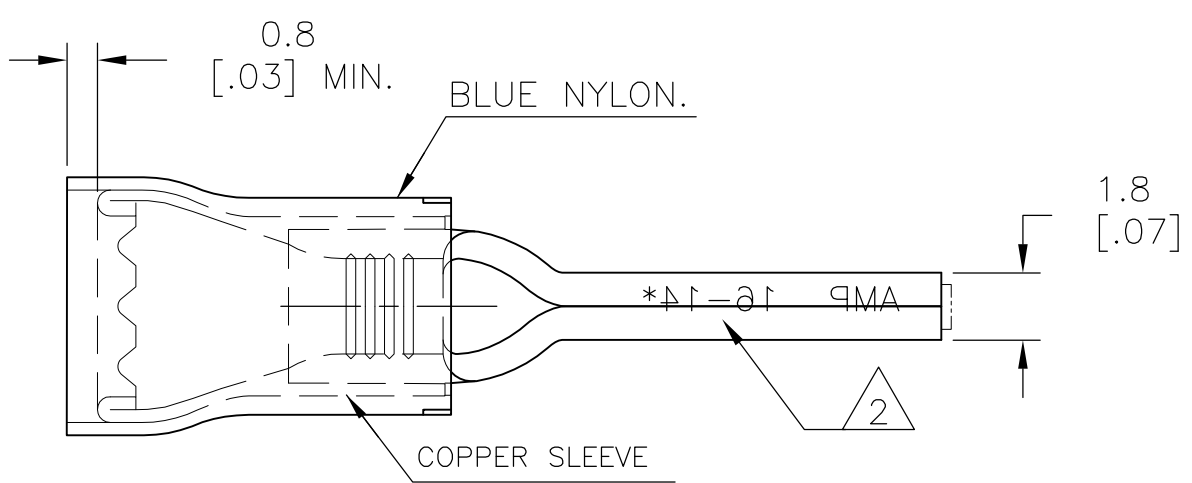


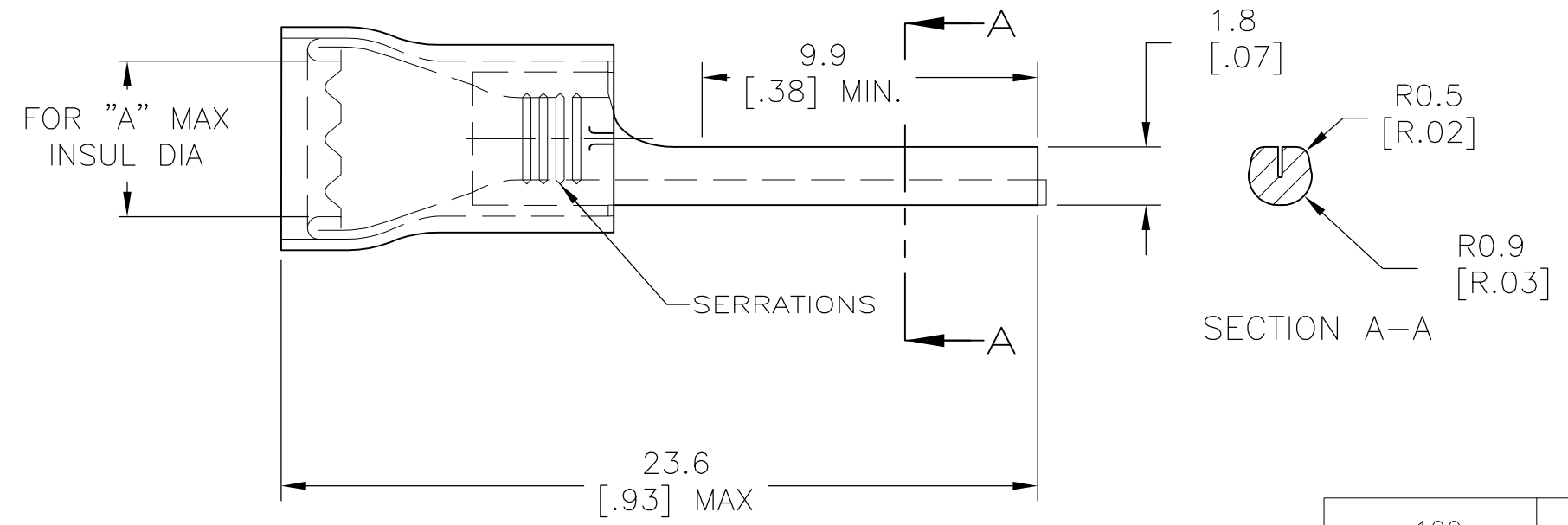
THIS DRAWING IS UNPUBLISHED. RELEASED FOR PUBLICATION
 © COPYRIGHT - By - ALL RIGHTS RESERVED.

LOC	DIST	REVISIONS					
G	86	P	LTR	DESCRIPTION	DATE	DWN	APVD
			K2	REVISED PER ECO-14-003208	17MAR2014	NK	DR

AMP WIRE RANGE	3 AW FILE E13288
1.0-2.6mm ² (16-14 AWG) STRANDED	16-14 AWG STRANDED



- 1 WIRE INSULATION DIA "A" MAX, SEE TABLE
- 2 STAMP AMP 16-14* APPROX AS SHOWN
- 3 MAX RECOMMENDED OPERATING TEMPERATURE 105°C[221°F]



100	4.3[.17]	TIN PLATED	COPPER	8-165172-1
1000	4.8[.19]	TIN PLATED	COPPER	165172-2
1000	4.6[.18]	TIN PLATED	COPPER	165172-1
1000	4.3[.17]	TIN PLATED	COPPER	165172
PACKAGE QTY	DIM "A"	FINISH	MATERIAL	PART NO

SUPERSEDED BY
165172-2

3

THIS DRAWING IS A CONTROLLED DOCUMENT.		DWN JR RUTH 19FEB04	STE TE Connectivity		
DIMENSIONS: mm [INCHES]		CHK T MICHIELUTTI 19FEB04			
TOLERANCES UNLESS OTHERWISE SPECIFIED:		APVD T MICHIELUTTI 19FEB04	NAME PIDG WIRE PIN (LONG)		
0 PLC ± -		PRODUCT SPEC	-		
1 PLC ± -		APPLICATION SPEC	-		
2 PLC ± -		WEIGHT	-		
3 PLC ± -		CUSTOMER DRAWING	SIZE A3	CAGE CODE 00779	DRAWING NO C-165172
4 PLC ± -		SCALE	5:1		
ANGLES ± -		SHEET	1 OF 1		
FINISH		RESTRICTED TO	-		
MATERIAL		REV	K2		

Mouser Electronics

Authorized Distributor

Click to View Pricing, Inventory, Delivery & Lifecycle Information:

[TE Connectivity:](#)

[165172](#)