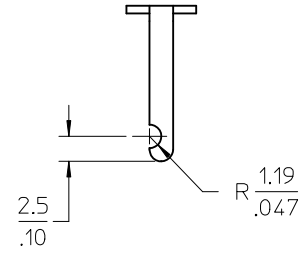
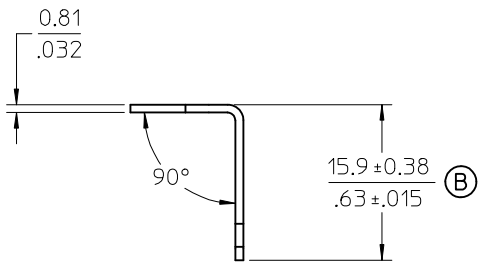


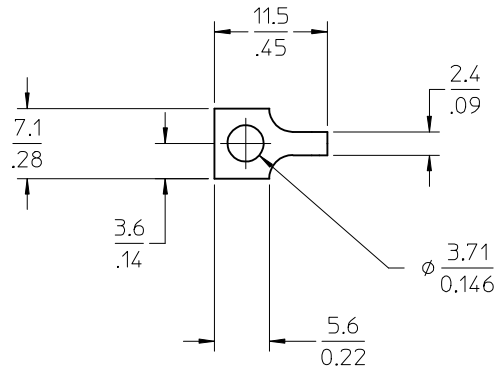
AUX.VIEW  
SCALE:2X



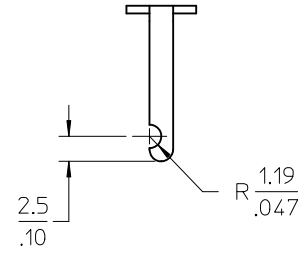
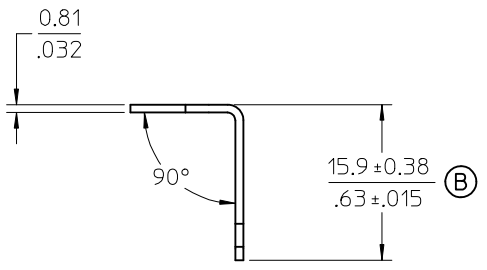
- NOTES:  
 1. MATERIAL: SEE TABLE  
 2. FINISHES: SEE TABLE  
 (B) 3. PART IS ROHS COMPLIANT.

CHANGE DIM/ADD NOTES EC NO: ETC2007-0438 DRWN: CLYORK 2007/07/12 CHKD: JMACNEIL 2007/07/12 APPR: JMACNEIL 2007/07/13	QUALITY SYMBOLS ▽ = 0 ∇ = 0	GENERAL TOLERANCES (UNLESS SPECIFIED)		SCALE 2:1	DESIGN UNITS INCH	THIRD ANGLE PROJECTION	REVISE ON CAD ONLY	
		4 PLACES ± --- ± ---	3 PLACES ± --- ± .005	DIMENSION STYLE MM/IN		TITLE TERMINAL, SOLDER, Y SHORT, CAT. # 143		
		2 PLACES ± 0.13 ± .01	1 PLACE ± 0.3 ± ---	DRAWN BY R.STONE	DATE 08-18-03	MOLEX INCORPORATED		
		ANGULAR ±1/2°		CHECKED BY RK	DATE 2-5-04	MATERIAL NO. 380020159	DOCUMENT NO. SD-38002-005	SHEET NO. 1 OF 1
DRAFT WHERE APPLICABLE MUST REMAIN WITHIN DIMENSIONS		APPROVED BY GHR	DATE 2-26-04	THIS DRAWING CONTAINS INFORMATION THAT IS PROPRIETARY TO MOLEX INCORPORATED AND SHOULD NOT BE USED WITHOUT WRITTEN PERMISSION				

1	1	TERMINAL	BRASS	TIN PLATED
ITEM	QTY.	DESCRIPTION	MATERIAL	FINISH



AUX.VIEW  
SCALE:2X



- NOTES:  
 1. MATERIAL: SEE TABLE  
 2. FINISHES: SEE TABLE  
 (B) 3. PART IS ROHS COMPLIANT.

CHANGE DIM/ADD NOTES EC NO: ETC2007-0438 DRWN: CLYORK 2007/07/12 CHKD: JMACNEIL 2007/07/12 APPR: JMACNEIL 2007/07/13	QUALITY SYMBOLS ▽ = 0 ∇ = 0	GENERAL TOLERANCES (UNLESS SPECIFIED)		SCALE 2:1	DESIGN UNITS INCH	THIRD ANGLE PROJECTION	REVISE ON CAD ONLY		
				DIMENSION STYLE MM/IN		TITLE TERMINAL, SOLDER, Y SHORT, CAT. # 143			
		4 PLACES ± --- ± ---		DRAWN BY R.STONE	DATE 08-18-03	MATERIAL NO. 380020159		DOCUMENT NO. SD-38002-005	SHEET NO. 1 OF 1
		3 PLACES ± --- ± .005		CHECKED BY RK		DATE 2-5-04	MOLEX INCORPORATED		
2 PLACES ± 0.13 ± .01		APPROVED BY GHR		DATE 2-26-04	THIS DRAWING CONTAINS INFORMATION THAT IS PROPRIETARY TO MOLEX INCORPORATED AND SHOULD NOT BE USED WITHOUT WRITTEN PERMISSION				
1 PLACE ± 0.3 ± ---		DRAFT WHERE APPLICABLE		MUST REMAIN WITHIN DIMENSIONS					

1	1	TERMINAL	BRASS	TIN PLATED
ITEM	QTY.	DESCRIPTION	MATERIAL	FINISH

# Mouser Electronics

Authorized Distributor

Click to View Pricing, Inventory, Delivery & Lifecycle Information:

[Molex:](#)

[38002-0159](#)