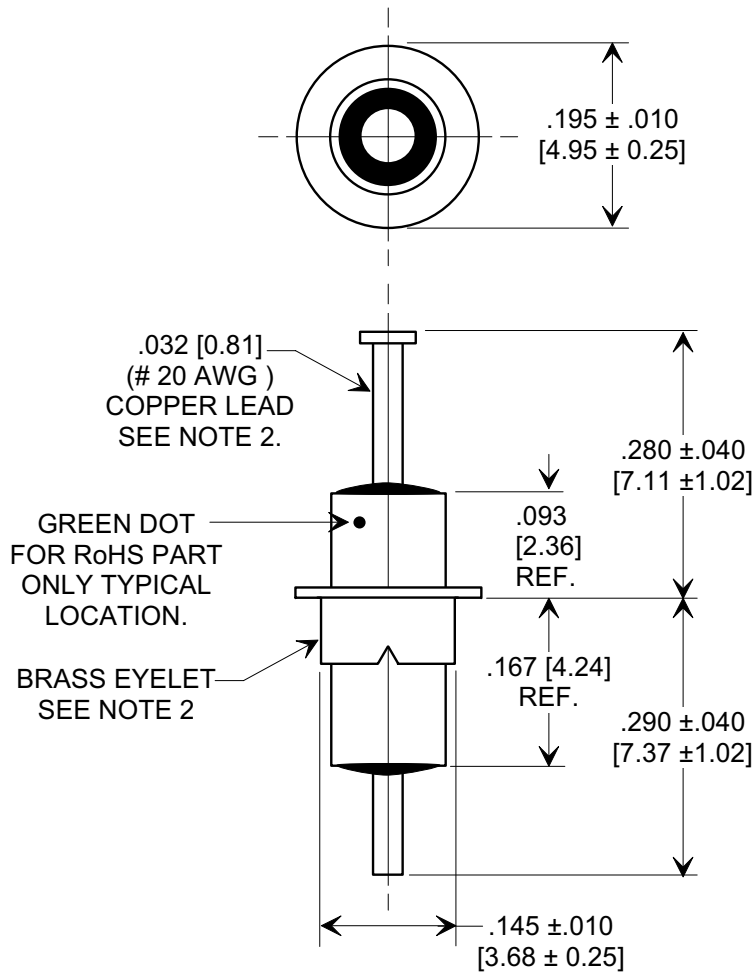
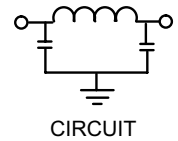
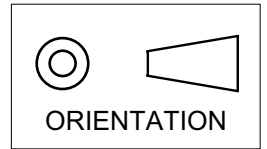


MARKETING SALES DRAWING
DIMENSIONS IN INCHES - DO NOT SCALE THIS DRAWING
DIMENSIONS IN METRIC - []

Electrical Testing
per Tusonix standard
test plans and Mil-Std-202
Test Methods.



Notes:

- Tusonix Standard part number: 4101-004.
Tusonix RoHS compliant part number: 4101-004 LF.
Customer must specify Standard or RoHS part number when ordering.
- Lead finish: Standard Part No.: 60/40 solder plated. RoHS Part No. Silver Plated.
Eyelet finish Standard Part No.: 60/40 solder plated. RoHS Part No. Silver Plated.
- Part Marking: Standard has no marking. RoHS part: Green Dot.

MIN. CAP. (pF)	WORKING VOLTAGE (WVdc)		CURRENT Idc. (A)	I.R. MIN. @ 100 (VDC.)	DWV 25 SEC. (VDC)	MINIMUM NO LOAD INSERTION LOSS (dB) AT 25°C PER MIL-STD-220			
	85°C	125°C				10 MHz	100 MHz	1 GHz	10 GHz
1750	250	125	10	10 G Ω	500	5	50	60	60

X-2015 Rev-0	REVISION RECORD		TUSONIX TUCSON, ARIZONA	--TOLERANCES-- Unless Otherwise Specified		Title		
	Original Release C.O.	0		DECIMAL ± .031 [0.79]	EYELET STYLE EMI FILTER			
	RDN TO CMP FMT. S.M. 07-19-00			ANGLES ±			Drawn	S.M. 07-19-00
	20000914-3-05	1				Approved	T.C. 07-19-00	
REVISED TO STANDARDIZE DWG. ADDED IR & DWV. S.M. 09-13-05		A	4101-004					
20050829-1-05	2							

Mouser Electronics

Authorized Distributor

Click to View Pricing, Inventory, Delivery & Lifecycle Information:

[Tusonix / CTS:](#)

[4101-001LF](#) [4101-505](#) [4101-003LF](#) [4101-004LF](#)