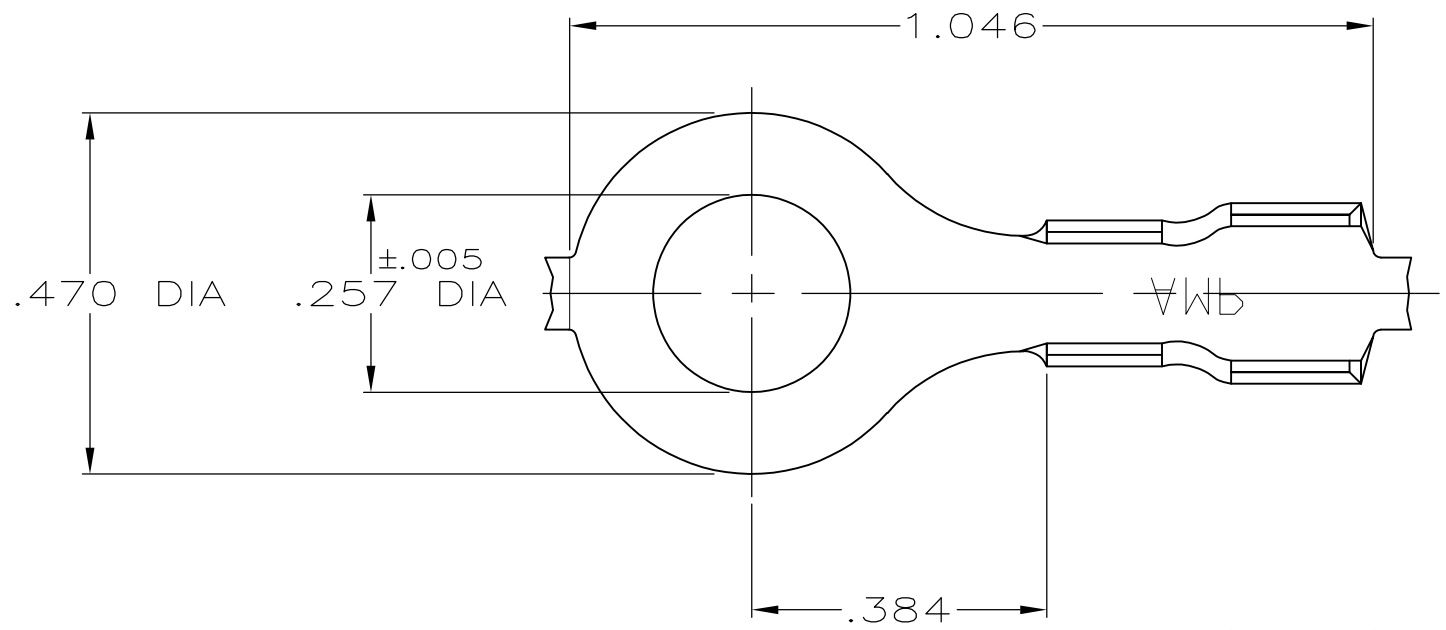
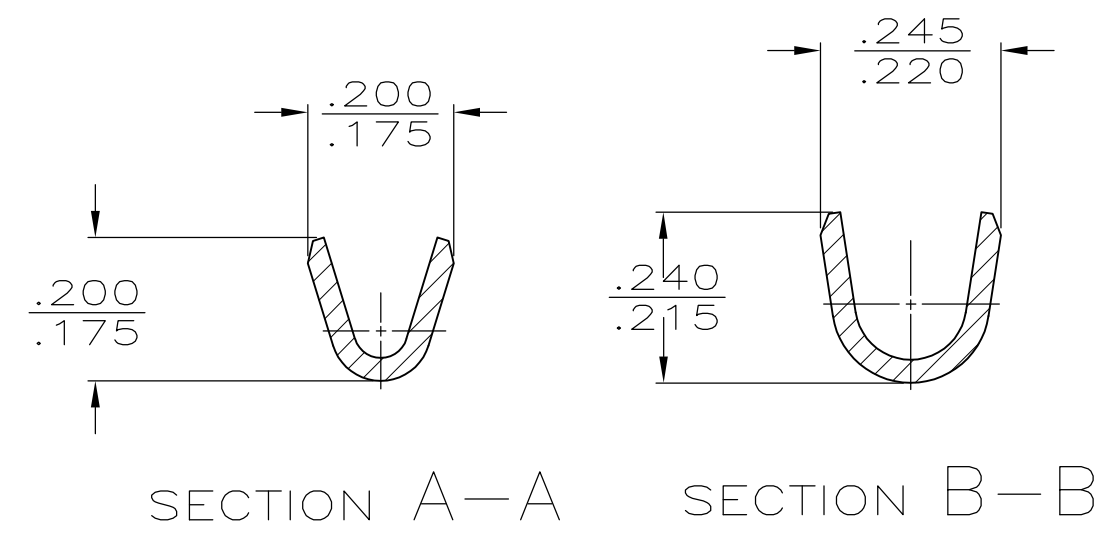
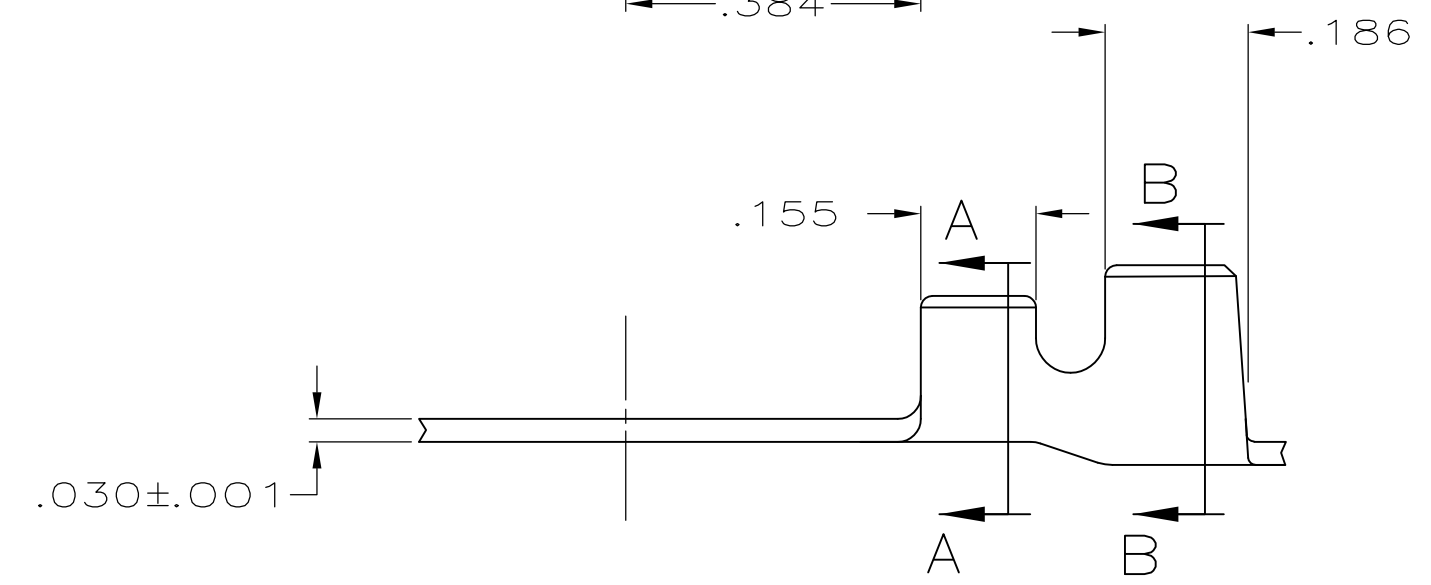


THIS DRAWING IS UNPUBLISHED. RELEASED FOR PUBLICATION
 © COPYRIGHT BY TYCO ELECTRONICS CORPORATION. ALL INTERNATIONAL RIGHTS RESERVED.

LOC	DIST	REVISIONS					
AF	50	P	LTR	DESCRIPTION	DATE	DWN	APVD
			M	REVISED PER ECR-08-008189	24NOV08	HMR	DD



- 1 CONTINUOUS STRIP ON REELS
- 2 TIN PLATING.
- 3 P/N 42751-5 REELED WITH INTERLEAF PAPER.



#2 HARD BRASS	-	.120-.180 DIA	16-14 AWG	3 42751-5
1/4 HARD PHOS BRONZE	-			42751-3
#2 HARD BRASS	2			42751-2
#2 HARD BRASS	-			42751-1
MATERIAL	FINISH	INSULATION RANGE	WIRE SIZE	PART NO.

F or O	.210	.220	F	.155	.087	14
					.081	16
TYPE	WIDTH	STRIP LENGTH ±.015	TYPE	WIDTH	±.002 HEIGHT	WIRE
INSUL BARREL CRIMP			WIRE BARREL CRIMP			

THIS DRAWING IS A CONTROLLED DOCUMENT.

DIMENSIONS: INCHES

TOLERANCES UNLESS OTHERWISE SPECIFIED:

0 PLC	± -
1 PLC	± -
2 PLC	± -
3 PLC	± .015
4 PLC	± -
ANGLES	± -

MATERIAL: SEE TABLE

FINISH: SEE TABLE

DWN P FORTNEY 4/16/90
 CHK JR RUTH 4/16/90
 APVD G YETTER 4/16/90

Tyco Electronics Tyco Electronics Corporation
 Harrisburg, PA 17105-3608

PRODUCT SPEC: RING

APPLICATION SPEC: -

WEIGHT: -

SIZE: A3 CAGE CODE: 00779 DRAWING NO: C-42751 RESTRICTED TO: -

CUSTOMER DRAWING SCALE: 4:1 SHEET: 1 OF 1 REV: M

Mouser Electronics

Authorized Distributor

Click to View Pricing, Inventory, Delivery & Lifecycle Information:

[TE Connectivity:](#)

[42751-1 \(Loose Piece\)](#)