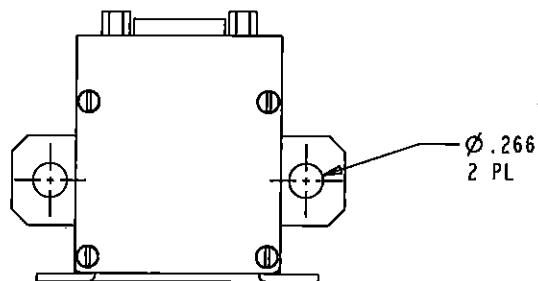
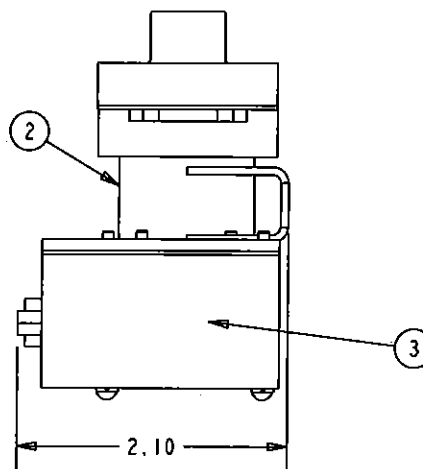
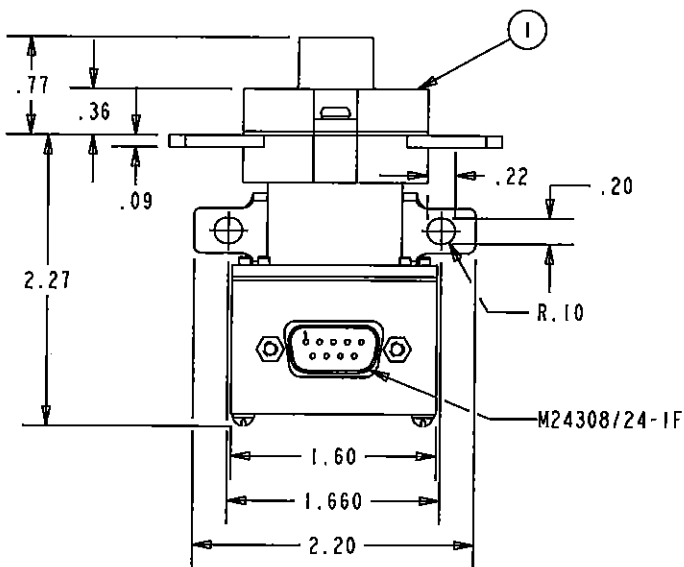
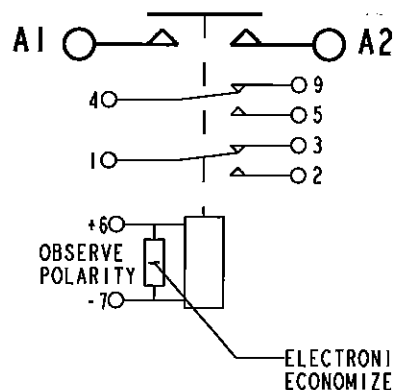
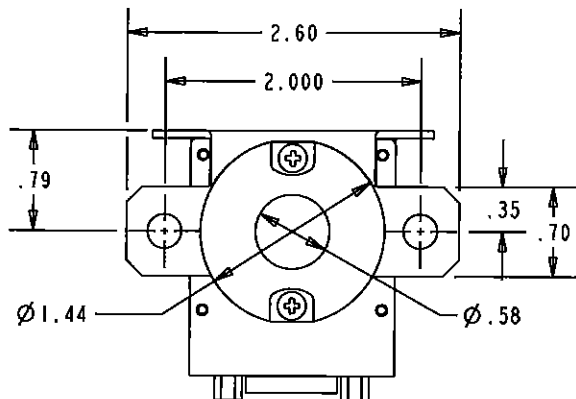


K200A3C

REV. A

| REVISIONS | | RELEASED | |
|-----------|----------------------------------|----------|--------------------|
| REV. | DESCRIPTION | DATE | APPROVED |
| A | RELEASE TO PRODUCTION FROM REV.5 | 15/08/06 | <i>[Signature]</i> |



CONSTRUCTION GASKET SEALED

MAIN CONTACTS
 CONFIGURATION SPST N.O. DOUBLE BREAK
 VOLTAGE 28 VDC
 CURRENT RESISTIVE 200 AMPS
 MOTORLOAD 125 AMPS
 RUPTURE 2000 AMPS

COIL DATA
 DUTY CYCLE CONTINUOUS (ECONOMIZED)
 NOM. OPERATE VOLTAGE 28 VDC
 PICKUP VOLTAGE 18 VDC MAX
 DROP VOLTAGE 1-9 VDC
 PICKUP TIME 15 mS
 DROPOUT TIME 15 mS
 COIL CURRENT
 INRUSH 5 AMPS MAX AT 28 VDC & 25°C
 HOLDING 300 mA MAX AT 28 VDC & 25°C
 SUPPRESSION ±45 VDC

AUX CONTACTS
 CONFIGURATION 2 SPDT
 VOLTAGE 28 VDC
 CURRENT RES. 3 AMPS.

ENVIRONMENTAL DATA
 TEMPERATURE - 55° C TO + 85° C
 ALTITUDE 50,000 FEET

LIFE ELECTRICAL 50,000 CYCLES MIN.
LIFE MECHANICAL 100,000 CYCLES MIN.
MAX WEIGHT .43 LBS

| 3 | 1 | 48103-002 | SCHEMATIC DIAGRAM | | | 8-1616990-3 | |
|---|----------|------------------------|-----------------------------|--------------------------|----------|--|------------------|
| 2 | 1 | 48102-004 | NAME PLATE | | | 9-1616977-1 | |
| 1 | 1 | 48057-050 | PRIMARY ASSEMBLY | | | 8-1616977-3 | |
| FIG NO | QTY REQD | PART OR IDENTIFYING NO | NOMENCLATURE OR DESCRIPTION | DRAWING OR SPECIFICATION | FSCW NO | TE PART NO | MATERIAL OR NOTE |
| UNLESS OTHERWISE SPECIFIED DIMENSIONS ARE IN INCHES TOLERANCES ON | | | | | | | |
| 2 PL DEC. | | 3 PL DEC. | ANGLES | | | | |
| ±.06 | ±.010 | ± 1° | | | | | |
| | | | DR BY | RV | 15/08/06 | CONTACTOR - SPST N.O. DB 200 AMP, 28 VDC DWG NO. K200A3C | |
| | | | CHK BY | MDM15-DR-07 | | | |
| | | | ENGR | RSS | 15/08/06 | | |
| | | | MFG | <i>[Signature]</i> | 15/08/06 | | |
| | | | SIZE | CODE IDENT | | REF TE PN 8-1616977-1 | |
| | | | A | 74063 | | | |
| | | | SCALE NONE | SHEET 1 OF 1 | | | |

Mouser Electronics

Authorized Distributor

Click to View Pricing, Inventory, Delivery & Lifecycle Information:

[TE Connectivity:](#)

[K200A3C](#)