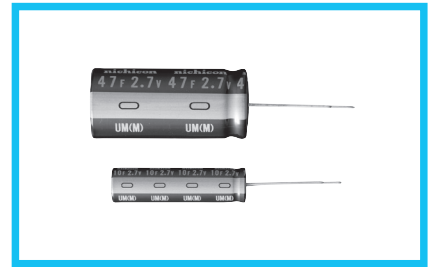
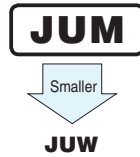


JUM

Radial Lead Type, High Voltage

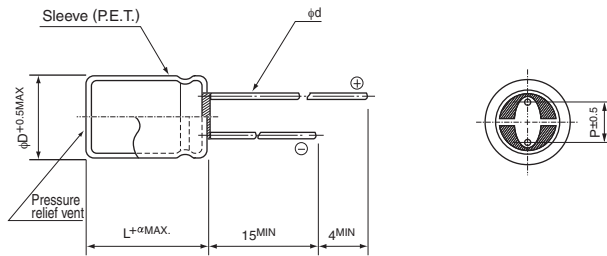
- High voltage type (2.7V).
- Suitable for quick charge and discharge.
- Wide temperature range (– 25 to +70°C).
- Compliant to the RoHS directive (2011/65/EU).



Specifications

| Item | Performance Characteristics | |
|------------------------------|---|---|
| Category Temperature Range | – 25 to +70°C | |
| Rated Voltage Range | 2.7V | |
| Rated Capacitance Range | 1 to 47F See Note | |
| Capacitance Tolerance | ±20% , 20°C | |
| Leakage Current | 0.5C (mA) [C : Rated Capacitance(F)] (After 30 minutes' application of rated voltage : 2.7V) | |
| Stability at Low Temperature | Capacitance (– 25°C) / Capacitance (+20°C) ×100 ≥ 70% | |
| ESR, DCR* | Refer to the table below (20°C). *DC internal resistance | |
| Endurance | Capacitance change | Within ±30% of the initial capacitance value |
| | ESR | 300% or less than the initial specified value |
| | Leakage current | Less than or equal to the initial specified value |
| Shelf Life | Capacitance change | Within ±30% of the initial capacitance value |
| | ESR | 300% or less than the initial specified value |
| | Leakage current | Less than or equal to the initial specified value |
| Marking | Printed with white color letter on black sleeve. | |

Drawing

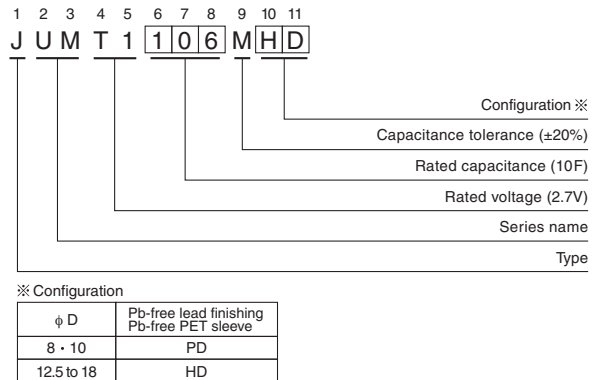


| | (mm) | | | | |
|----|------|-----|------|-----|-----|
| φD | 8 | 10 | 12.5 | 16 | 18 |
| P | 3.5 | 5.0 | 5.0 | 7.5 | 7.5 |
| φd | 0.6 | 0.6 | 0.6* | 0.8 | 0.8 |

※ In case L>25 for the φ12.5 dia unit, lead dia φd=0.8

| α | |
|---|---------------|
| | (φD < 10) 1.5 |
| | (φD ≥ 10) 2.0 |

Type numbering system (Example : 2.7V 10F)



| ※ Configuration | |
|-----------------|--|
| φ D | Pb-free lead finishing Pb-free PET sleeve |
| 8 - 10 | PD |
| 12.5 to 18 | HD |

• Please refer to page 20 for end seal configuration.

Dimensions

| Rated Voltage (Code) | Rated Capacitance (F) | Code | ESR (Ω) (at 1kHz) | DCR※ Typical (Ω) | Case size φ D × L (mm) |
|----------------------|-----------------------|------|-------------------|------------------|------------------------|
| 2.7V (T1) | 1 | 105 | 2 | 3 | 8 × 11.5 |
| | 2.2 | 225 | 2 | 1.3 | 8 × 20 |
| | 3.3 | 335 | 1 | 1.0 | 10 × 20 |
| | 4.7 | 475 | 0.4 | 0.6 | 12.5 × 20 |
| | 10 | 106 | 0.2 | 0.25 | 12.5 × 31.5 |
| | 22 | 226 | 0.2 | 0.13 | 16 × 31.5 |
| | 33 | 336 | 0.1 | 0.08 | 18 × 31.5 |
| | 47 | 476 | 0.1 | 0.06 | 18 × 40 |

Note :

The capacitance calculated from discharge time (ΔT) with constant current (i) after 30minute charge with rated voltage (2.7V).

The discharge current (i) is 0.01 × rated capacitance (F).

The discharge time (ΔT) measured between 2V and 1V with constant current.

The capacitance calculated below.

$$\text{Capacitance (F)} = i \times \Delta T$$

※ The listed DCR value is typical and therefore not a guaranteed value.

Mouser Electronics

Authorized Distributor

Click to View Pricing, Inventory, Delivery & Lifecycle Information:

[Nichicon:](#)

[JUM0H184ACD](#)