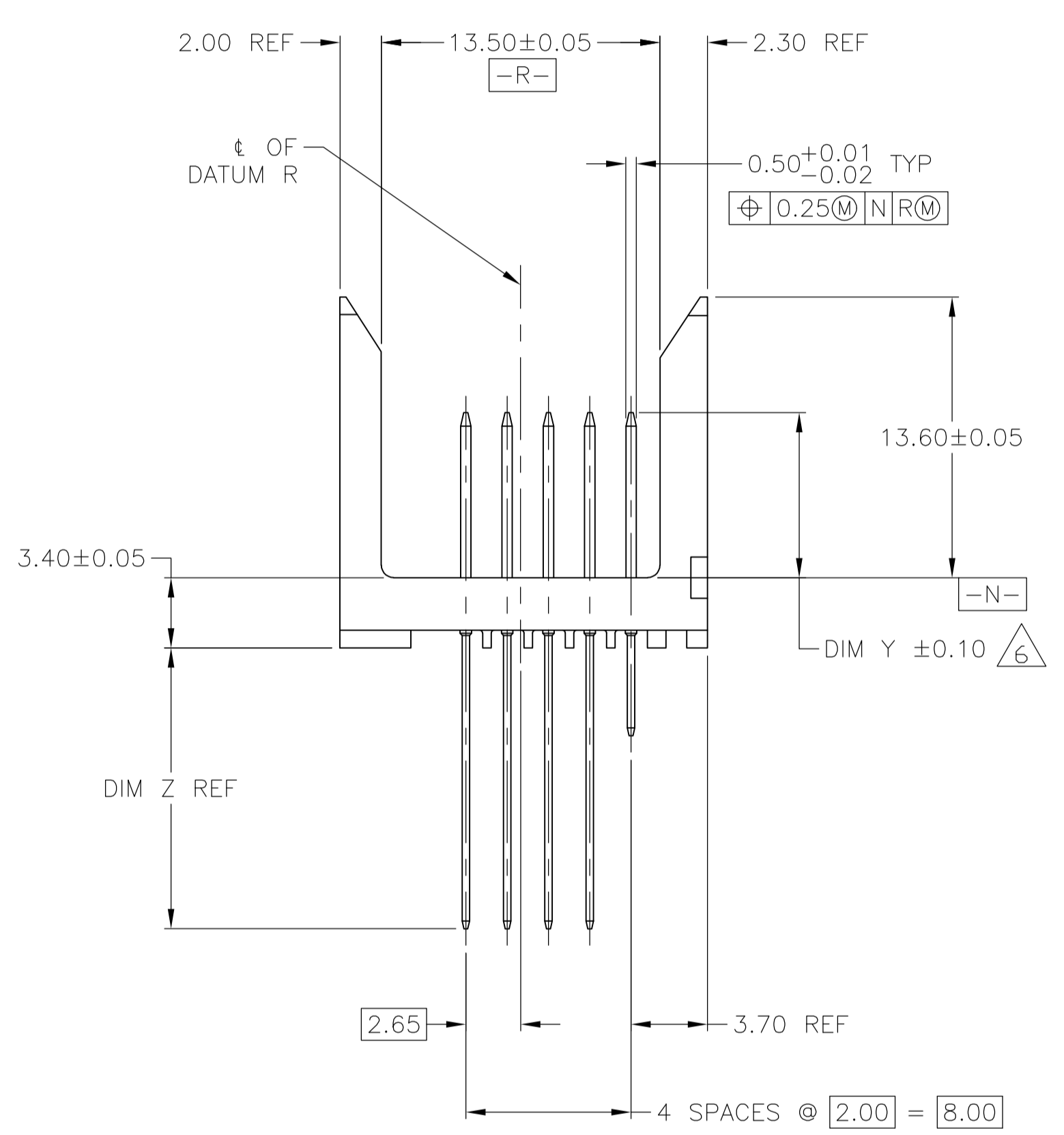
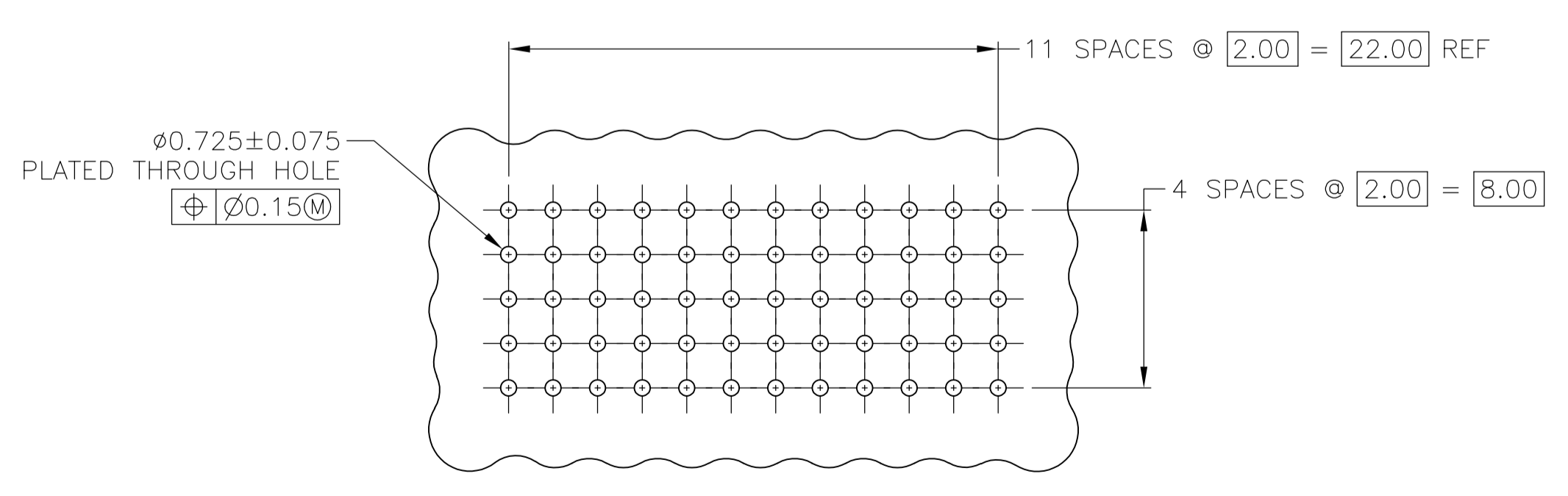


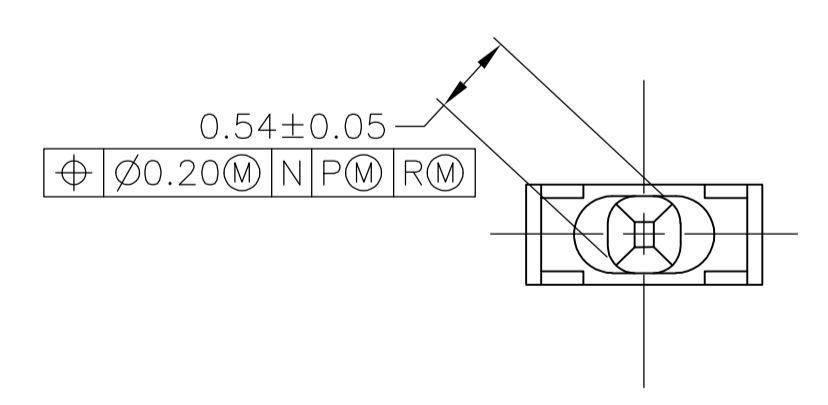
5223081-1 AS SHOWN



- 1 HOUSING MATERIAL: LIQUID CRYSTAL POLYMER, NATURAL.
- 2 CONTACT MATERIAL: PHOSPHOR BRONZE.
- 3 CONTACT FINISH:  
 UNDERPLATE (ENTIRE CONTACT):  
 0.00127 MIN NICKEL PER SAE-AMS-QQ-N-290  
 ON MATING SURFACES:  
 CONFORMS TO ALL TESTING SPECIFIED FOR TELCORDIA UNCONTROLLED ENVIRONMENT.  
 ON LEADS:  
 0.0006 MIN MATTE TIN PER ASTM B 545 OVER UNDERPLATE.  
 LUBRICATION (MIN MATING SURFACES):  
 SURFACE CONDITIONER AFTER PLATING.
- 4 PART MARKING, LOCATED APPROXIMATELY AS SHOWN.
- 5. SEE SHEET 2 FOR SEQUENCING CHARTS.
- 6 DIMENSION APPLIES WHEN SEATED ON PRINTED CIRCUIT BOARD.
- 7 SEE RESTRICTED CUSTOMER DRAWING.



RECOMMENDED CIRCUIT PATTERN  
(COMPONENT SIDE)



VIEW Z-Z  
SCALE 20:1

	6-5223081-0
OBSOLETE	5-5223081-9
	5-5223081-7
OBSOLETE	5-5223081-6
OBSOLETE	5-5223081-0
OBSOLETE	4-5223081-9
	4-5223081-8
OBSOLETE	4-5223081-6
SUPERCEDED BY 4-1705989-3	4-5223081-3
	3-5223081-5
OBSOLETE	3-5223081-2
	3-5223081-1
OBSOLETE	3-5223081-0
OBSOLETE	2-5223081-9
OBSOLETE	2-5223081-8
OBSOLETE	2-5223081-6
	2-5223081-4
OBSOLETE	1-5223081-2
OBSOLETE	1-5223081-1
OBSOLETE	1-5223081-0
OBSOLETE	5223081-9
	5223081-8
OBSOLETE	5223081-7
OBSOLETE	5223081-6
OBSOLETE	5223081-5
OBSOLETE	5223081-4
	5223081-3
	5223081-2
OBSOLETE	5223081-1
	PART NUMBER

THIS DRAWING IS A CONTROLLED DOCUMENT.		DIN B MCMMASTER 130EC04	Tyco Electronics Corporation Shanghai, P.R.China, 200233
DIMENSIONS: mm		CIK R WERTZ 130EC04	
TOLERANCES UNLESS OTHERWISE SPECIFIED:		APVD R WERTZ 130EC04	NAME PIN ASSEMBLY, Z-PACK 2mm FB, SIGNAL, VERTICAL, 5 ROW, 60 POSITION, PRESS FIT LEADS, W/SEQUENCING
0 PLC ± -		PRODUCT SPEC	
1 PLC ± -		APPLICATION SPEC	SIZE A1
2 PLC ± 0.13		WEIGHT	CAGE CODE 00779
3 PLC ± -		RESTRICTED TO	SCALE 4:1
4 PLC ± -		CUSTOMER DRAWING	SHEET 1 OF 2
ANGLES ± -			REV E



# Mouser Electronics

Authorized Distributor

Click to View Pricing, Inventory, Delivery & Lifecycle Information:

[TE Connectivity:](#)

[3-5223081-1](#)