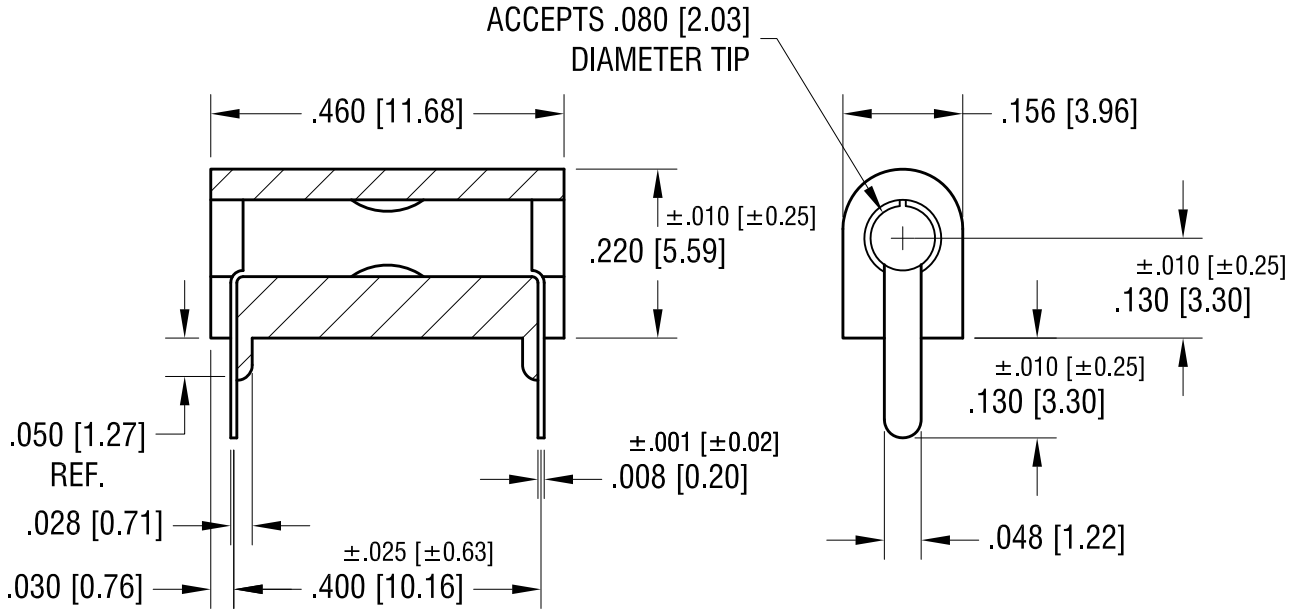
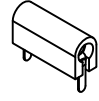


THIS DOCUMENT IS THE PROPERTY OF KEYSTONE ELECTRONICS CORP. AND SHALL NOT BE REPRODUCED, DISTRIBUTED OR USED AS A BASIS FOR MANUFACTURE WITHOUT PRIOR WRITTEN PERMISSION FROM KEYSTONE ELECTRONICS CORP.

ACTUAL SIZE



NOTES:

- BODY: MAT'L - NYLON
CONTACT: MAT'L - BERYLLIUM COPPER
FINISH - SILVER PLATE
- MOUNTING HOLES: .052 [1.32] DIA.

| PART NO. | BODY COLOR |
|----------|------------|
| 6066 | WHITE |
| 6067 | RED |
| 6068 | BLACK |
| 6069 | YELLOW |
| 6070 | GREEN |
| 6071 | BLUE |

| DATE | DESCRIPTION | REV. |
|---------|--------------------------|------|
| 1.02.14 | CHANGE AS PER ECN 14-004 | D |
| 7.8.05 | CHANGE AS PER ECN 05-045 | C |

KEYSTONE ELECTRONICS CORP.

www.keyelco.com • ASTORIA, N.Y. 11105-2017 • Tel (718) 956-8900

PART NAME
LOW PROFILE HORIZONTAL PC TEST JACK

MATERIAL
AS NOTED

| | | | | |
|---------------------------|--------|-------|-------|----------|
| FINISH AS NOTED | DRN BY | BOONE | DATE | 12.14.03 |
| | APP'D | LN | SCALE | 4X |

TOLERANCES INCH [MM]
DECIMAL ± .005 [± 0.15]
ANGULAR ± 1°
UNLESS OTHERWISE SPECIFIED

CODE
C

DWG NO.
6066 - 6071

Mouser Electronics

Authorized Distributor

Click to View Pricing, Inventory, Delivery & Lifecycle Information:

[Keystone Electronics:](#)

[6071](#)