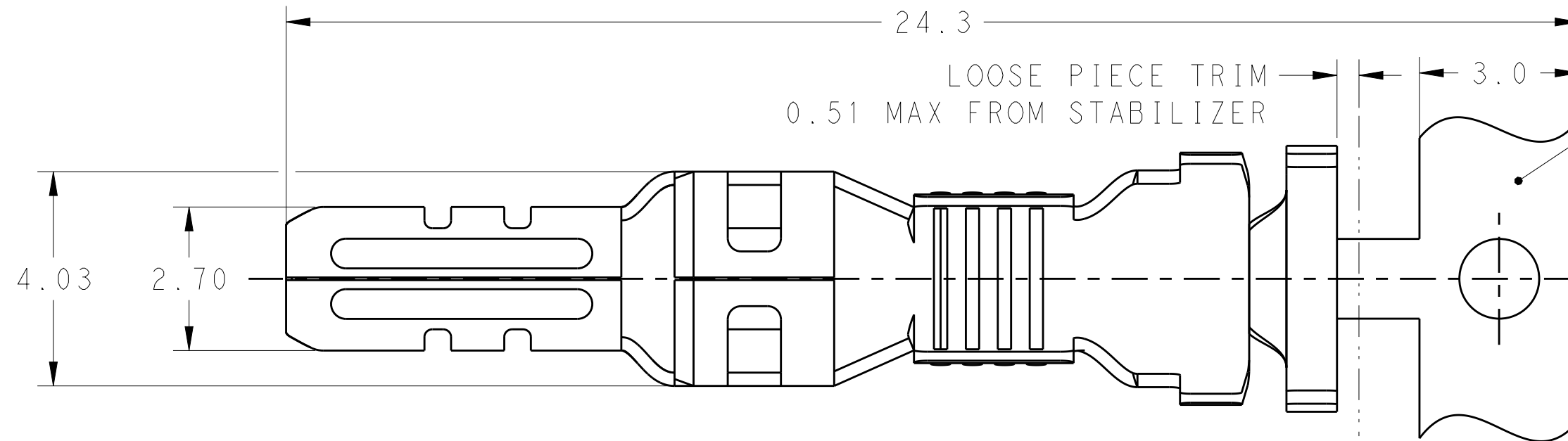
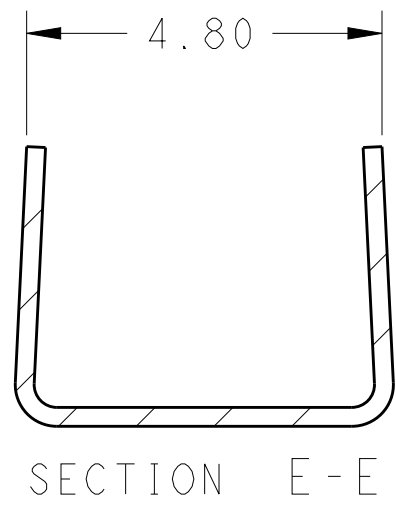
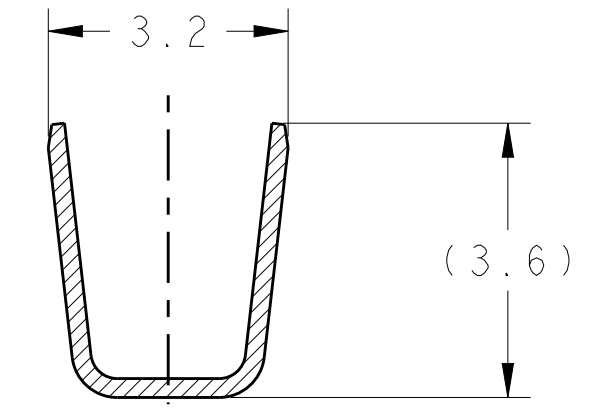


THIS DRAWING IS UNPUBLISHED. RELEASED FOR PUBLICATION 20  
 © COPYRIGHT 20 BY - ALL RIGHTS RESERVED.

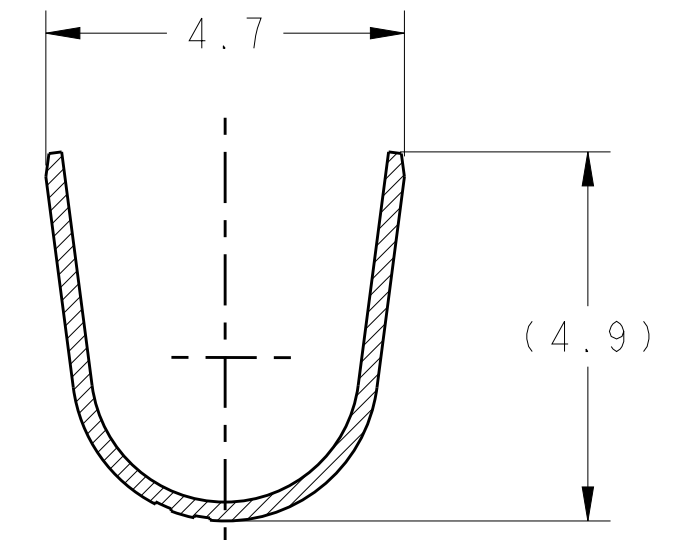
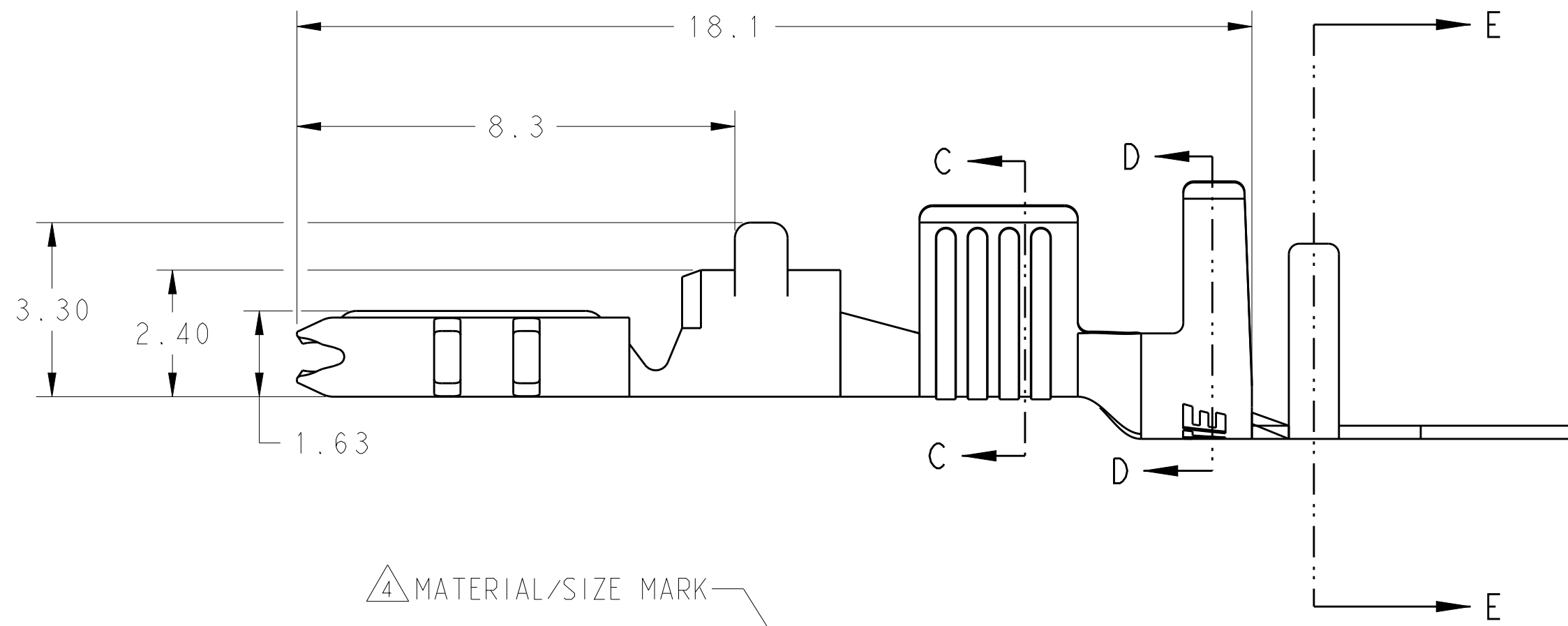
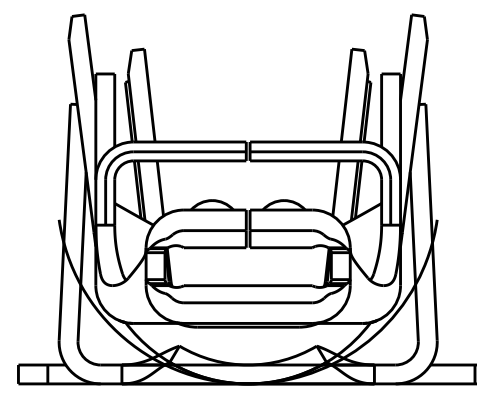
LOC	DIST	REVISIONS					
ES	00	P	LTR	DESCRIPTION	DATE	DWN	APVD
		D3		REVISED PER ECR-19-002195	15FEB2019	RS	GJ



CARRIER NOT PRESENT ON LOOSE PIECE

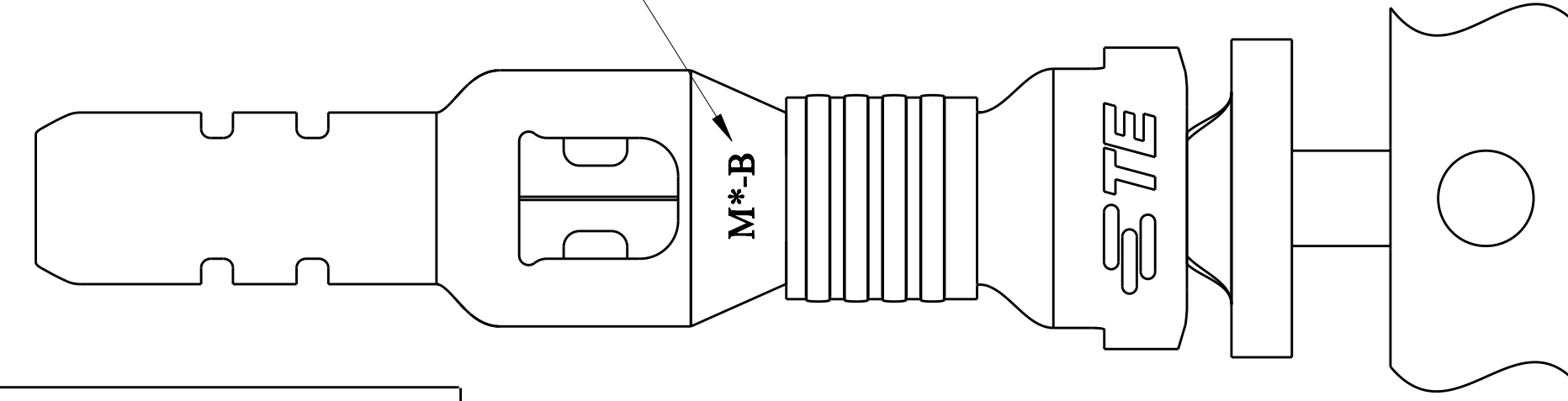


SECTION C-C



SECTION D-D

△ MATERIAL/SIZE MARK



1. RECOMMENDED WIRE RANGE: 14 AWG COPPER STRANDED (3500 - 4300 CMA)
2. APPLICABLE INSULATION DIAMETER: 3.40~3.70mm
3. APPLICABLE MATED CAP HOUSING P/N:  
 \*-1971772-\*/\*-1971775-\*/\*-1971875-\*/  
 \*-2232263-\*/\*-2232264-\*/\*-2232356-\*

△ WIRE SIZE INDICATOR "B"=14 AWG

5. This product has not completed validation testing.

CONFIGURATION	MATERIAL	TEMP. RATING	MATERIAL/SIZE MARK	PART NO
LOOSE PIECE	COPPER ALLOY	HIGH(150°C)	M0-B	4-1971782-2
CONTINUOUS W CARRIER	COPPER ALLOY	HIGH(150°C)	M0-B	1971782-2
CONTINUOUS W CARRIER	BRASS	STANDARD(105°C)	M8-B	1971782-1

THIS DRAWING IS A CONTROLLED DOCUMENT.

DIMENSIONS: mm	TOLERANCES UNLESS OTHERWISE SPECIFIED:	DWN TOMMY WU 11JUL2011	 TE Connectivity
	0 PLC ± -	CHK HAPYE WU 11JUL2011	
	1 PLC ±0.5	APVD YUHONG MAO 11JUL2011	
	2 PLC ±0.30	PRODUCT SPEC 108-106118	
MATERIAL SEE TABLE	4 PLC ±	APPLICATION SPEC 114-106118	NAME
PRE-TIN	ANGLES ±	FINISH	SIZE CAGE CODE DRAWING NO RESTRICTED TO
		Customer Drawing	A2100779C-1971782
		SCALE 5:1	SHEET 1 OF 1
			REV D3