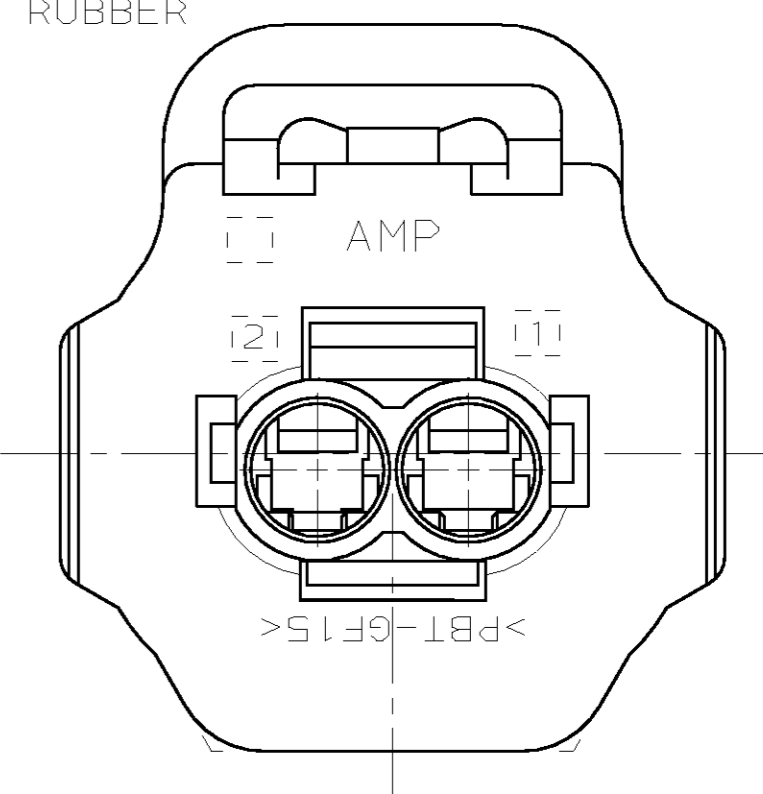
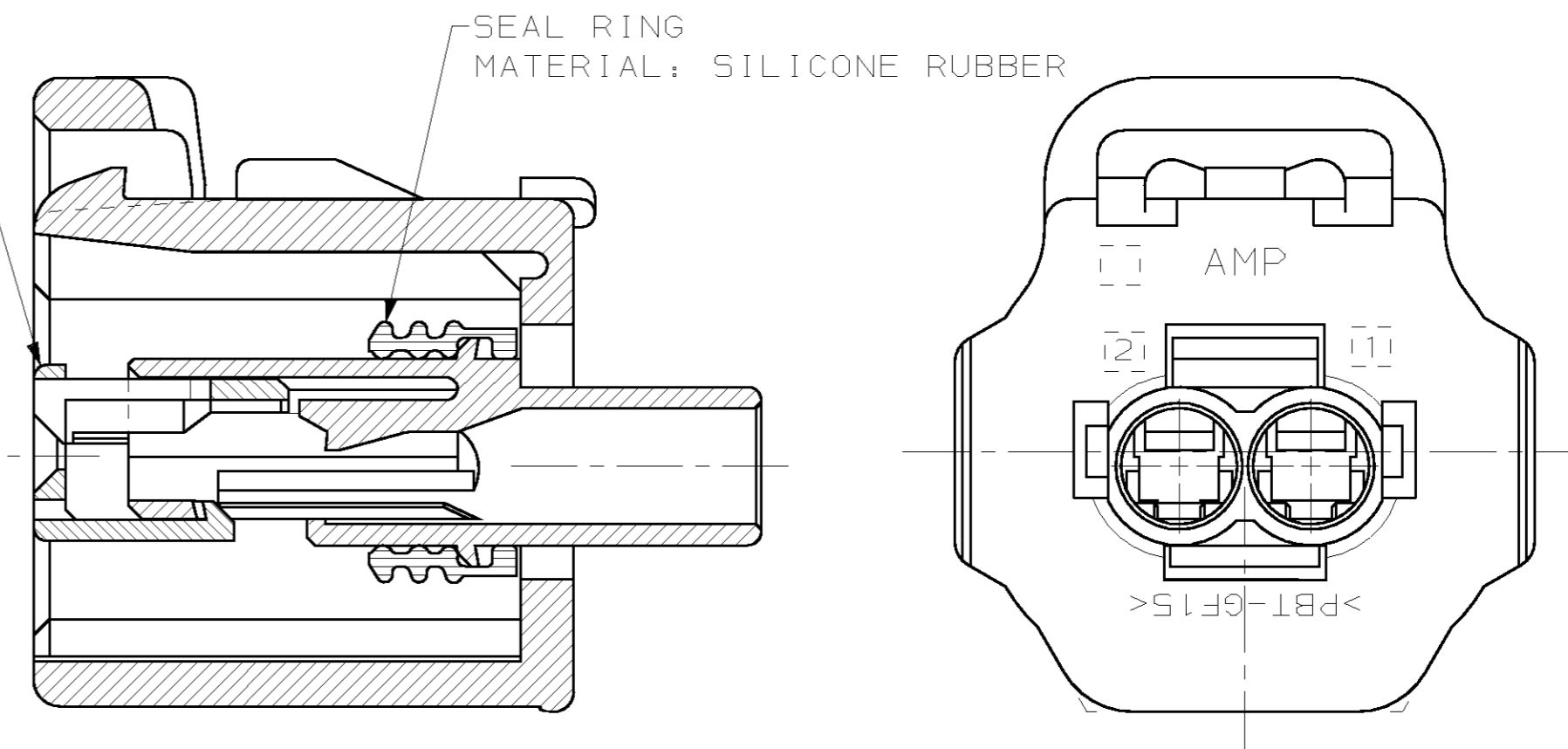
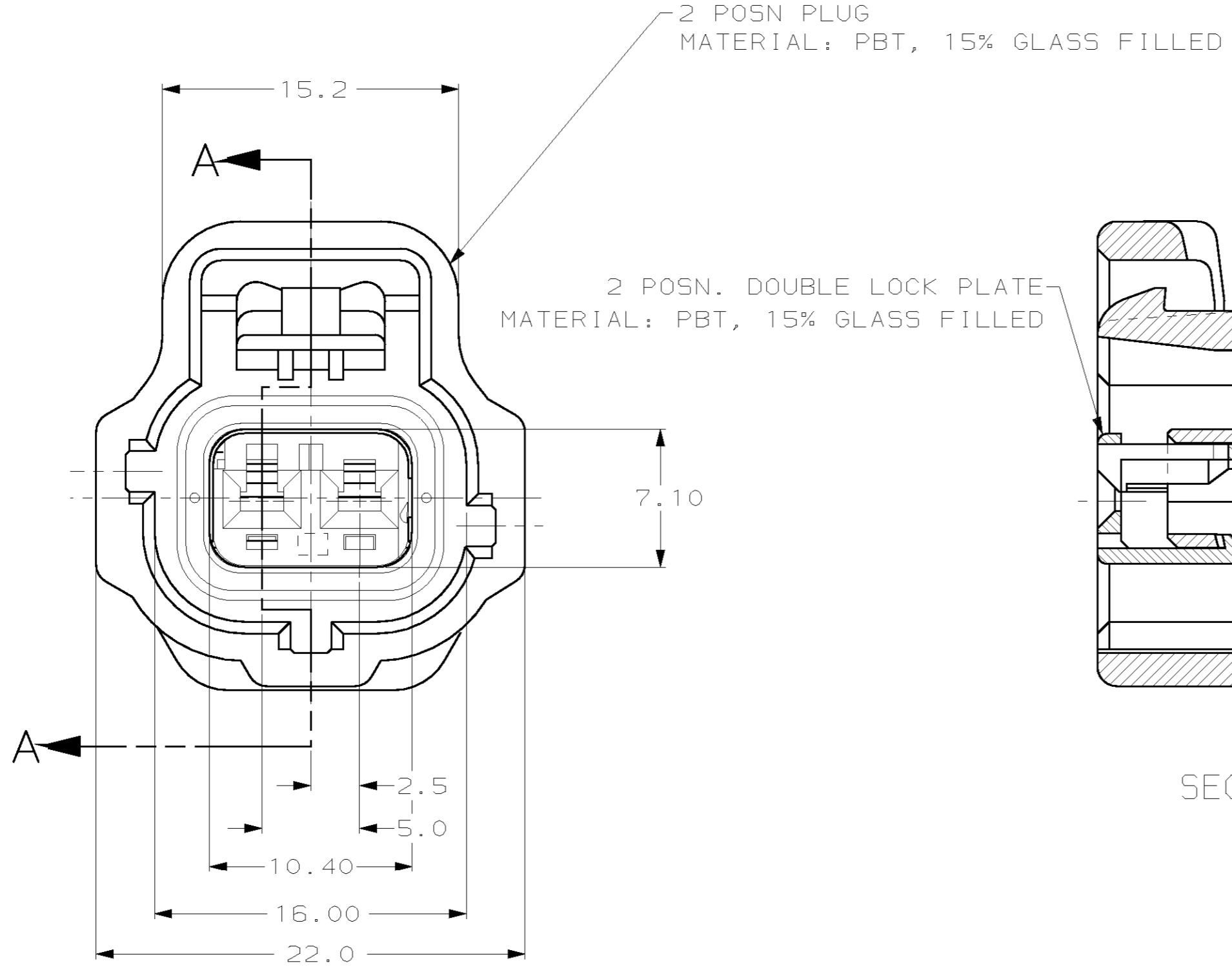
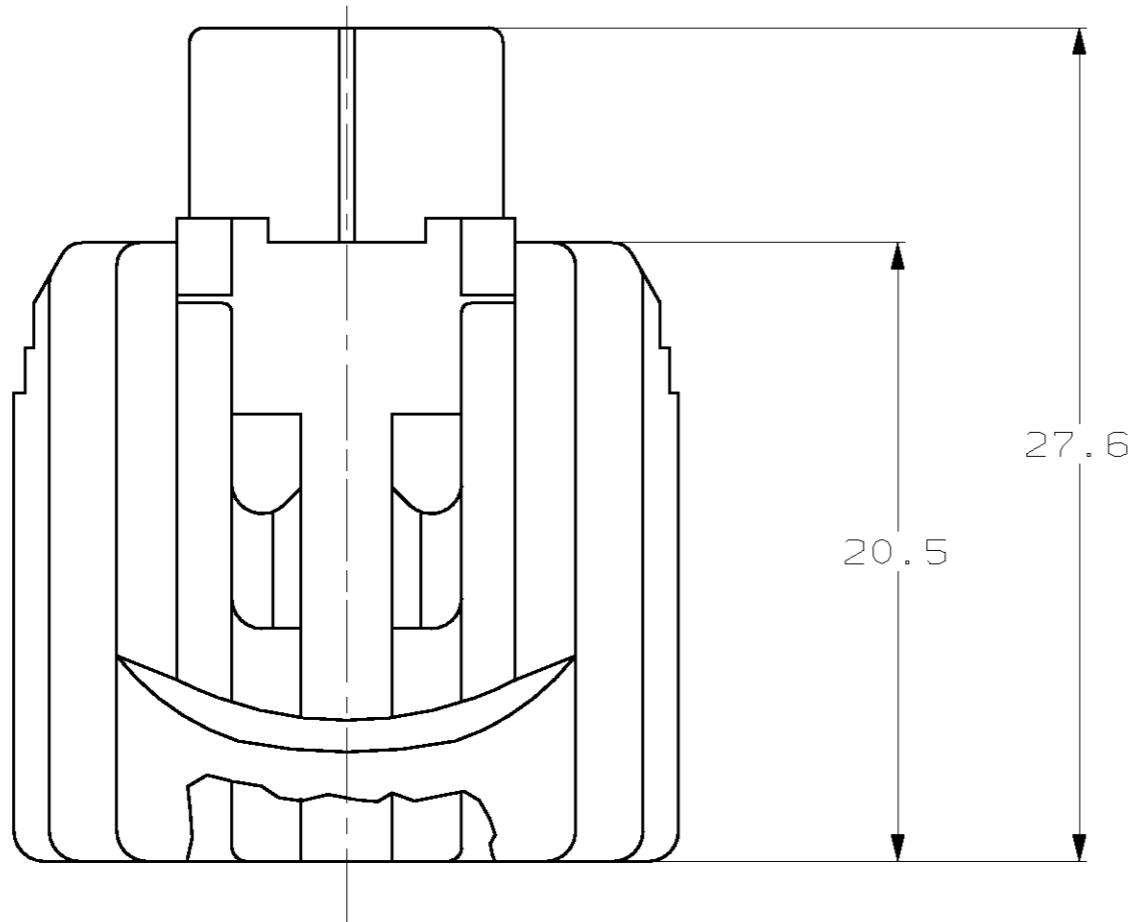


THIS DRAWING IS UNPUBLISHED. RELEASED FOR PUBLICATION .19
 © COPYRIGHT 19 BY AMP INCORPORATED. ALL RIGHTS RESERVED.

LOC		DIST		REVISIONS			
P	LTR	DESCRIPTION	DATE	DWN	APVD		
		0		RELEASED, WAS 92-4072-2313-3	-	-	-
		A		REV PER ECN 0720-0290-94	10-4-94	KL	JPK
		B		REV PER ECN 0720-0446-94	12/16/94	KW	JK
		C		REV PER ECN 0K50-0003-96	08/13/96	KW	JK
		D		REV PER EC# 0K40-0140-00	6-28-00	PC	GI



SECTION A-A

KEYING TYPE C

THIS DRAWING IS A CONTROLLED DOCUMENT FOR AMP INCORPORATED. IT IS SUBJECT TO CHANGE AND THE CONTROLLING ENGINEERING ORGANIZATION SHOULD BE CONTACTED FOR THE LATEST REVISION.

DIMENSIONS:	TOLERANCES UNLESS OTHERWISE SPECIFIED:
mm	
	0 PLC ±-
	1 PLC ±0.30
	2 PLC ±0.15
	3 PLC ±-
	4 PLC ±-
	ANGLES ±1°
MATERIAL	FINISH
-	-

DWN	3/23/94
CHK	4/19/94
APVD	-
PRODUCT SPEC	-
APPLICATION SPEC	-
WEIGHT	-
CUSTOMER DRAWING	-

BLACK	184004-1
PLUG COLOR	PART NO
AMP	AMP Incorporated Harrisburg, PA 17105-3608
1 X 2 PLG ASY KEY C-C3	
SIZE	CAGE CODE
A2	00779
DRAWING NO	C=184004
SCALE	SHEET
4:1	1 OF 1
REV	D

184004

Mouser Electronics

Authorized Distributor

Click to View Pricing, Inventory, Delivery & Lifecycle Information:

[TE Connectivity:](#)

[184004-1](#)