

THIS DRAWING IS UNPUBLISHED.  
VERTRÄULICHE UNVERÖFFENTLICHTE ZEICHNUNG  
© COPYRIGHT 2014 Tyco Electronics AMP GmbH

RELEASED FOR PUBLICATION  
FREI FUER VERÖFFENTLICHUNG  
2014  
ALL RIGHTS RESERVED.  
ALLE RECHTE VORBEHALTEN.

MATED WITH:  
PASSEND ZU:

DIESE ZEICHNUNG IST EIN KONTROLLIERTES DOKUMENT.  
BEMASSUNGEN UND TOLERANZEN GEMAESS GPS (ISO STANDARDS).

PROJEKT NR.:  
PRJ-11-000004377

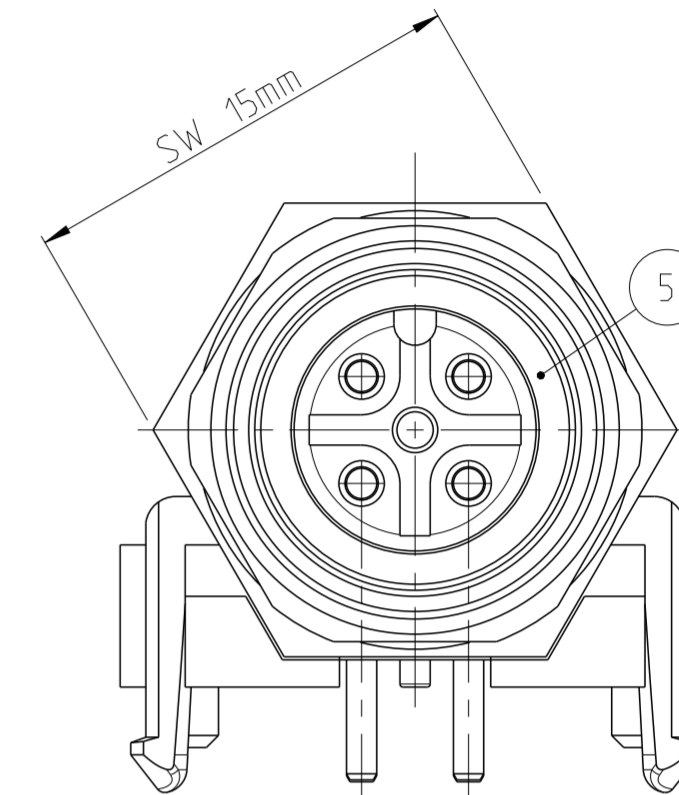
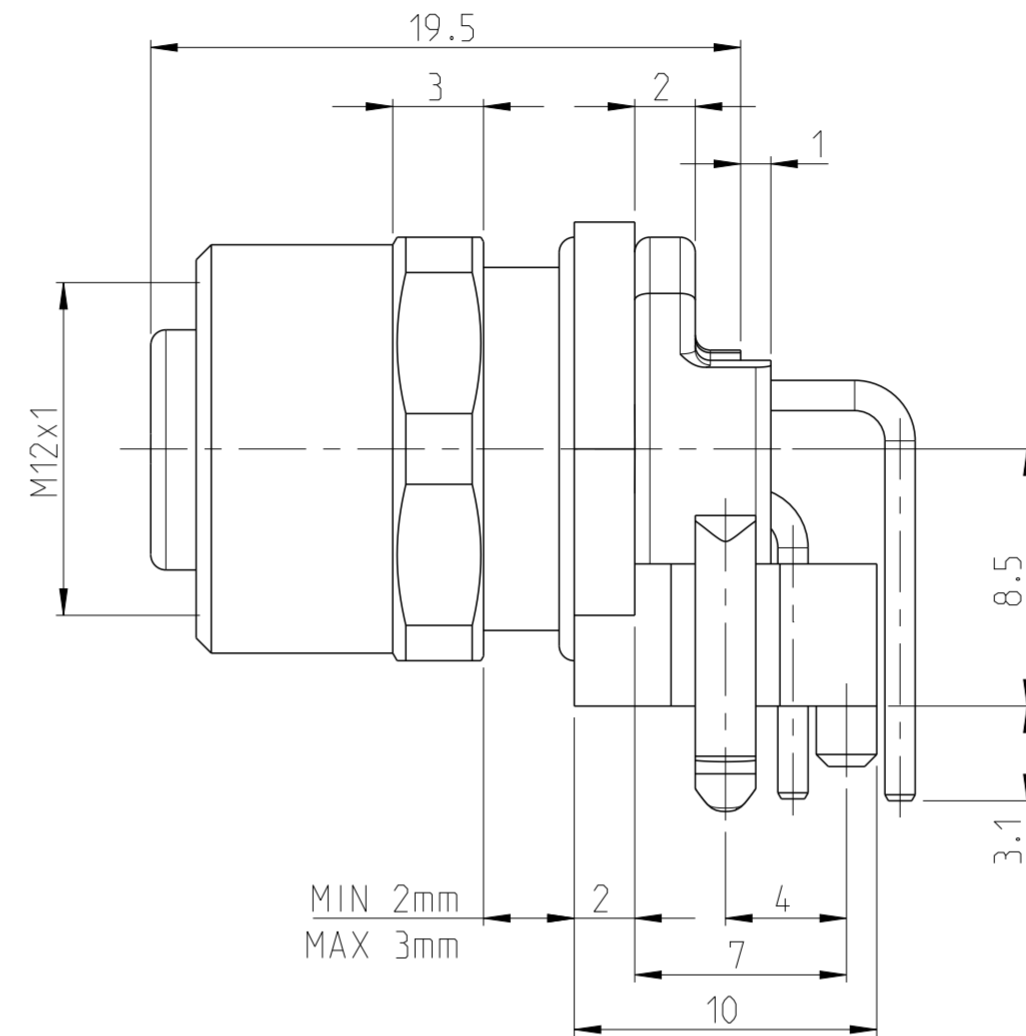
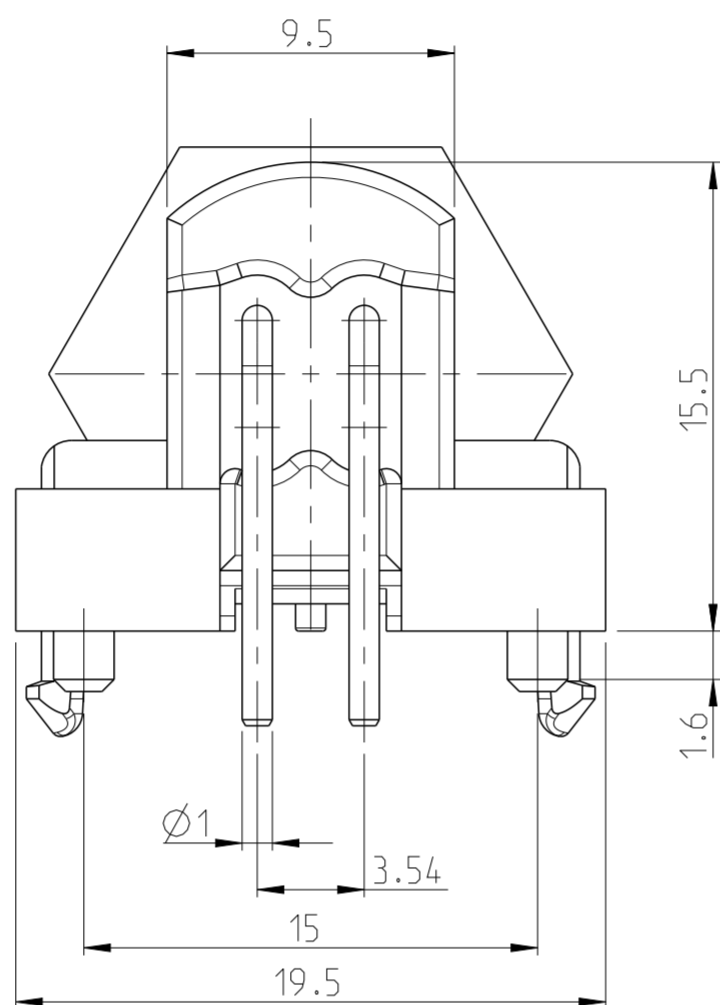
REVISIONS  
ÄNDERUNGEN

| P  | LTR | DESCRIPTION<br>BESCHREIBUNG               | DATE      | DWN | APVD |
|----|-----|---|-----------|-----|------|
| A  |     | NEW RELEASE                               | 27NOV2014 | CR  | JK   |
| A1 |     | NUT SHELL AND 5P HOUSING PN INTRODUCED    | 23SEP2015 | TJ  | NG   |
| A2 |     | SEAL QTY, MATERIAL DETAILS ADDED IN NOTES | 10JAN2018 | TJ  | NG   |

- 1 MATERIAL:
- ITEM NO. 1: NUT SHELL - CuZn (BRASS, NICKEL PLATED)
  - ITEM NO. 2: HOUSING - PA
  - ITEM NO. 3: CONTACT - CuZn (BRASS)
  - ITEM NO. 4: SEAL LARGE - NBR (QTY-1)
  - ITEM NO. 5: SEAL SMALL - FPM (QTY-1)
  - CONTACT FINISH - Au (GOLD)

2 ALL DIMENSIONS ARE FOR NOMINAL REFERENCE ONLY UNLESS OTHERWISE STATED

| TECHNICAL DATA        | 3-2172079-2 | 4-2172079-2 | 5-2172079-2 |
|-----------------------|-------------|-------------|-------------|
| RATED VOLTAGE         | 250V        | 125V        | 60V         |
| RATED IMPULSE VOLTAGE | 2500V       | 1500V       | 800V        |
| POLLUTION DEGREE      | 3           | 3           | 3           |
| OVERVOLTAGE CATEGORY  | II          | II          | II          |
| MATERIAL GROUP        | III         | III         | III         |
| RATED CURRENT         | 4A          | 4A          | 2A          |
| VOLUME RESISTIVITY    | ≤ 3mΩ       | ≤ 3mΩ       | ≤ 3mΩ       |
| DEGREE OF PROTECTION  | IP68        | IP68        | IP68        |
| UPPER TEMPERATURE     | +85 °C      | +85 °C      | +85 °C      |
| LOWER TEMPERATURE     | -40 °C      | +40 °C      | +40 °C      |

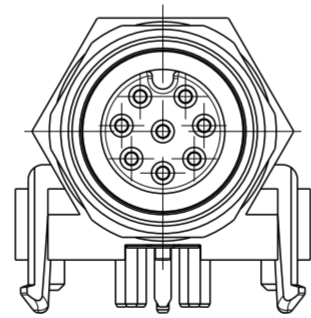
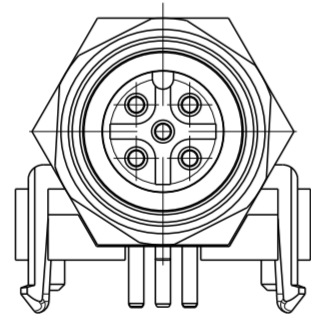
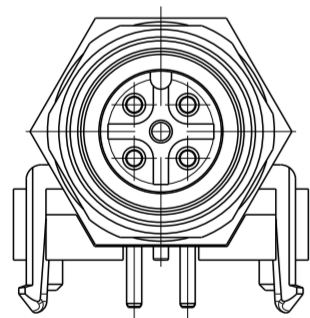


### PIN ARRANGEMENT A-CODING (SCALE 2:1)

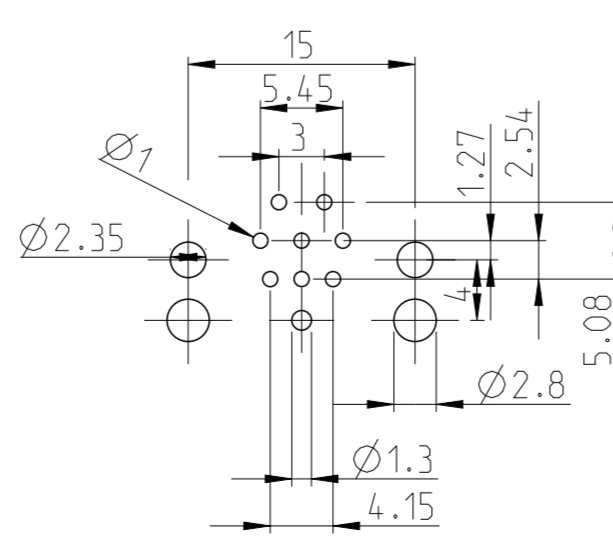
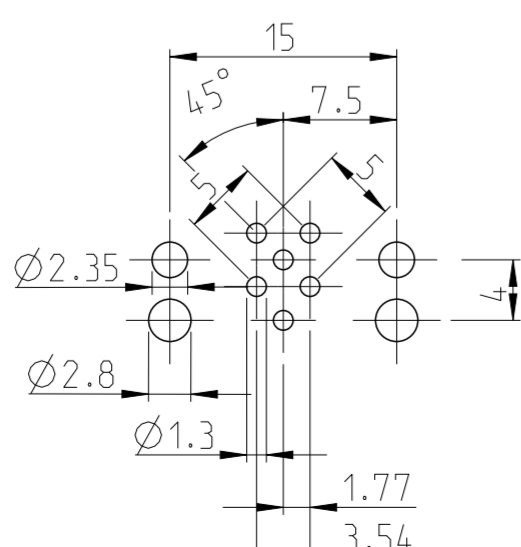
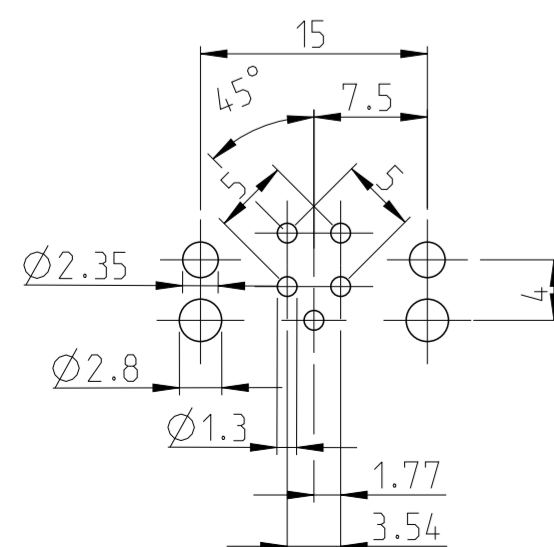
3-2172079-2

4-2172079-2

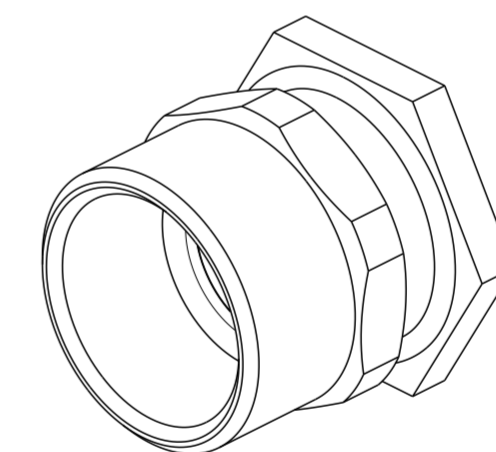
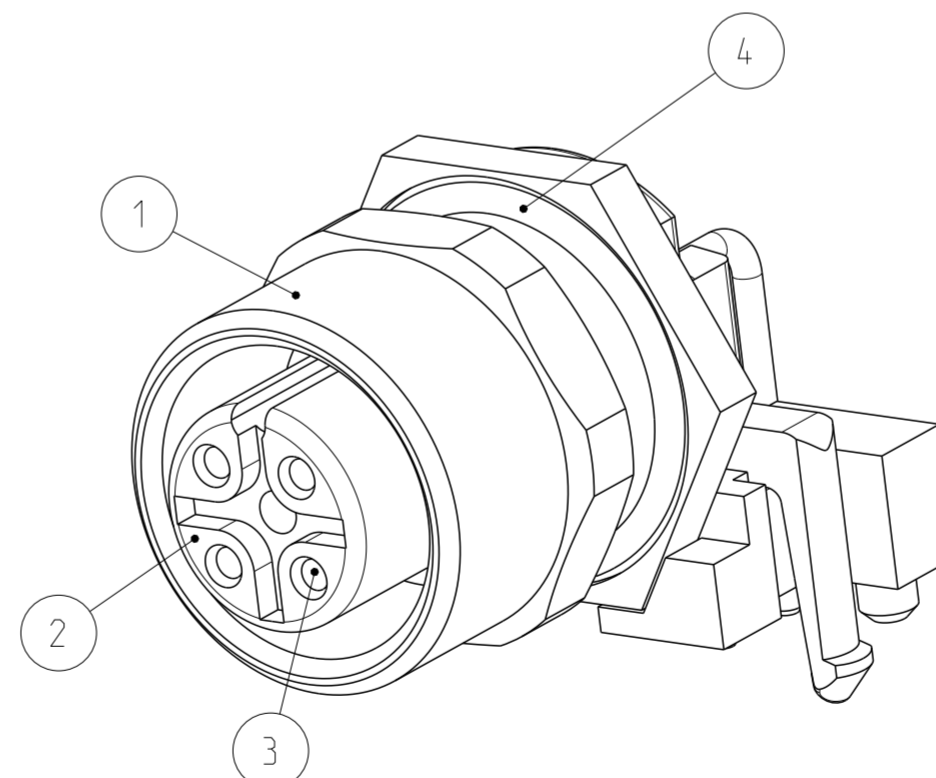
5-2172079-2



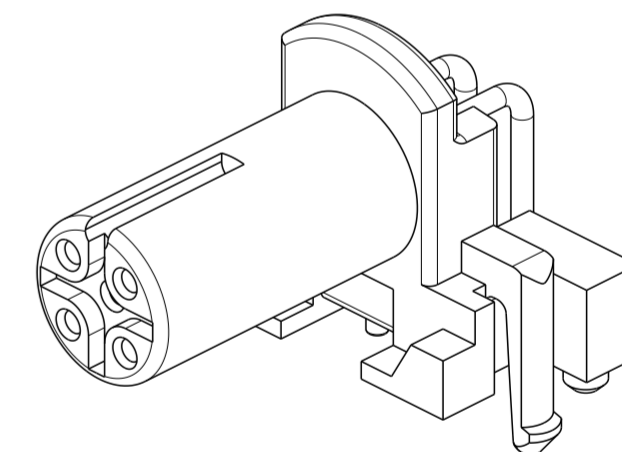
### CONDUCTOR LAYOUT



ALSO SOLD SEPARATELY



NUT SHELL  
PN 2172079-3



REFER TABLE FOR  
HOUSING PN

|          |                 |             |             |
|----------|-----------------|-------------|-------------|
| ⚠        | 8               | 5-2172079-2 |             |
| ⚠        | 5               | 4-2172079-2 | 4-2172079-3 |
| ⚠        | 4               | 3-2172079-2 |             |
| MATERIAL | NUMBER OF POLES | PART NUMBER | HOUSING PN  |

| DIMENSIONS:<br>MASSEINHEITEN:<br>(MM) |   | TOLERANCES UNLESS<br>OTHERWISE SPECIFIED:<br>ALLGEMEINTOLERANZEN |
|---------------------------------------|---|--|
| 0 PLC                                 | ± |  |
| 1 PLC                                 | ± |  |
| 2 PLC                                 | ± |  |
| 3 PLC                                 | ± |  |
| 4 PLC                                 | ± |  |
| ANGLES/WINKEL                         | ± |  |
| FINISH/OBERFLÄCHE/FARBE               |   |  |

|                  |                  |                       |                           |
|------------------|------------------|-----------------------|---------------------------|
| DWN              | YASHKUMAR        | 09AUG2014             |                           |
| CHK              | M. BRUBAKER      | 09AUG2014             |                           |
| APVD             | M. BRUBAKER      | 09AUG2014             |                           |
| PRODUCT SPEC     | 108-19483        |                       |                           |
| APPLICATION SPEC | 114-32127        |                       |                           |
| WEIGHT           | -                |                       |                           |
| Customer Drawing | /KUNDENZEICHNUNG | SCALE<br>MASSSTAB 3:1 | SHEET<br>BLATT 1 OF VON 1 |



M12 RECEPTACLE, FEMALE, PCB MOUNT,  
PANEL MOUNT, ANGLED, SHIELDED,  
WITH STANDOFF, A-CODED

|      |    |           |       |                               |           |                           |   |
|------|----|-----------|-------|-------------------------------|-----------|---------------------------|---|
| SIZE | A2 | CAGE CODE | 00779 | DRAWING NO.<br>ZEICHNUNGS-NR. | C-2172079 | RESTRICTED TO<br>NUR FUER | - |
| REV  | A2 |           |       |                               |           |                           |   |

SIZE ISO 14405 (E)

# Mouser Electronics

Authorized Distributor

Click to View Pricing, Inventory, Delivery & Lifecycle Information:

[TE Connectivity:](#)

[4-2172079-2](#)