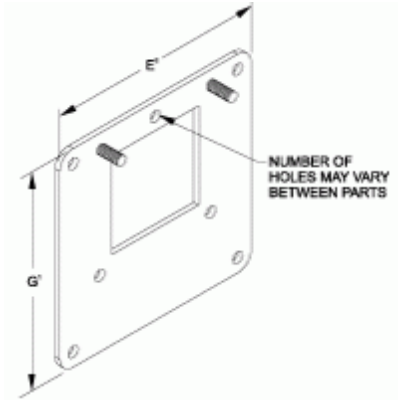




Quality Products. Service Excellence.

Reducers (Edge Hole) 1487RE Series



Part No.	Reduces from	to	H	W
1487CRE	4 x 4	2.5 x 2.5	5.37	5.37
1487DRE	6 x 6	4 x 4	7.62	7.62
1487EREC	8 x 8	4 x 4	9.62	9.62
1487ERED	8 x 8	6 x 6	9.62	9.62

Data subject to change without notice



© 2020. Hammond Manufacturing Ltd. All rights reserved.

Mouser Electronics

Authorized Distributor

Click to View Pricing, Inventory, Delivery & Lifecycle Information:

[Hammond:](#)

[1487DRE](#) [1487CRE](#) [1487EREC](#) [1487ERED](#)