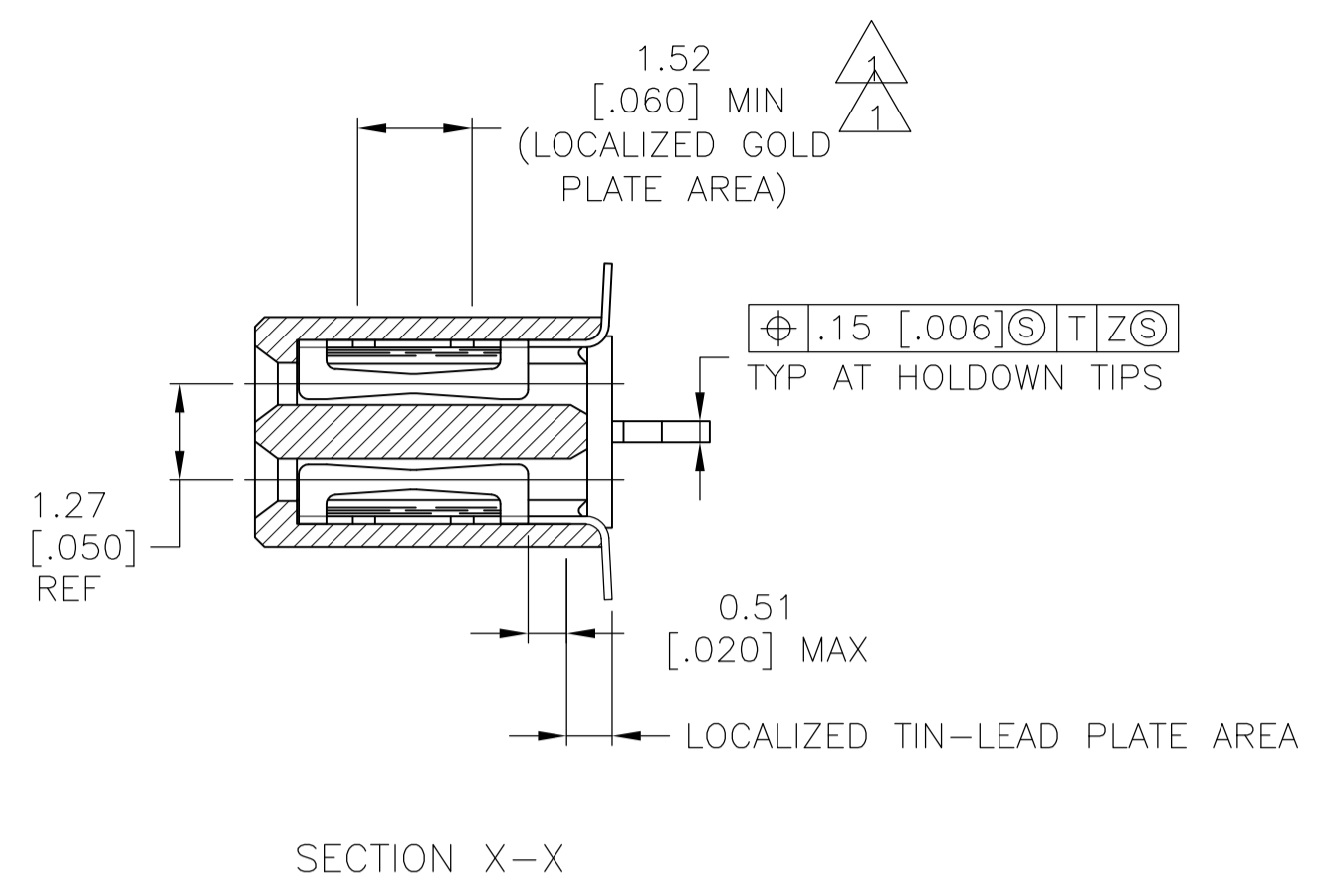
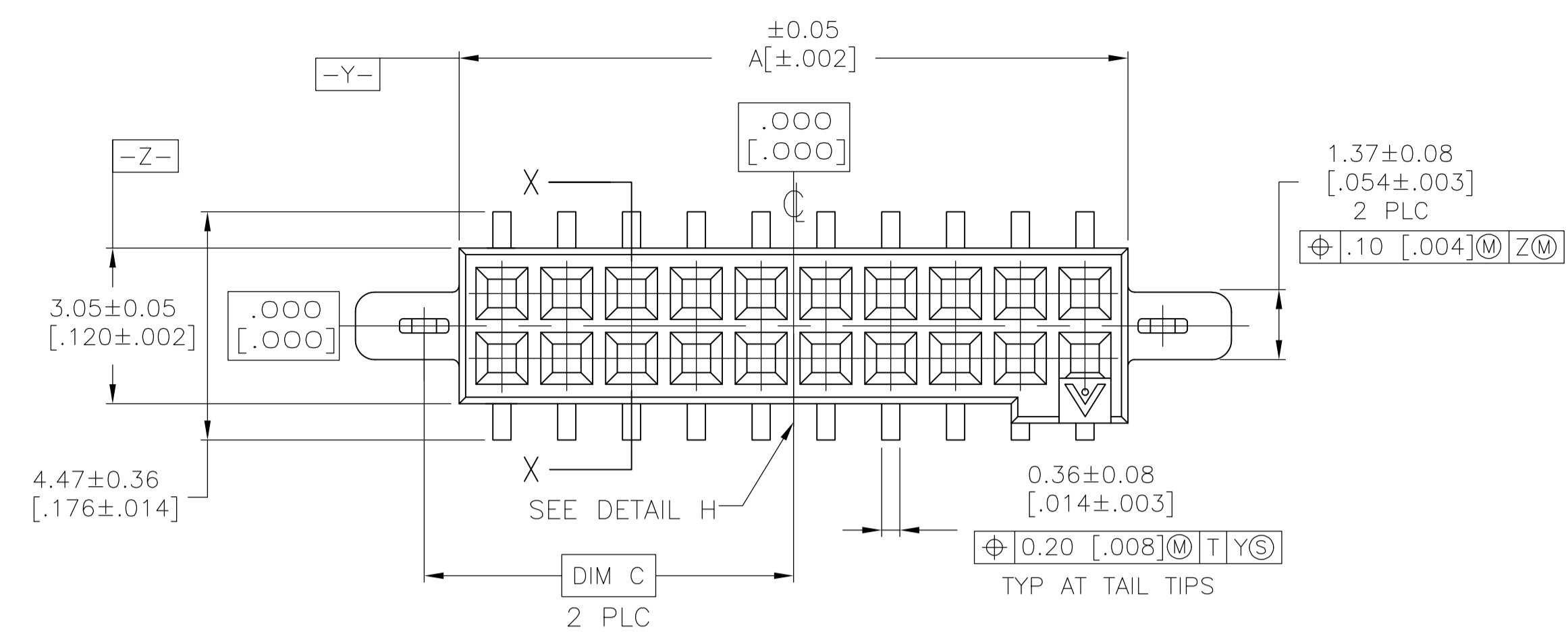
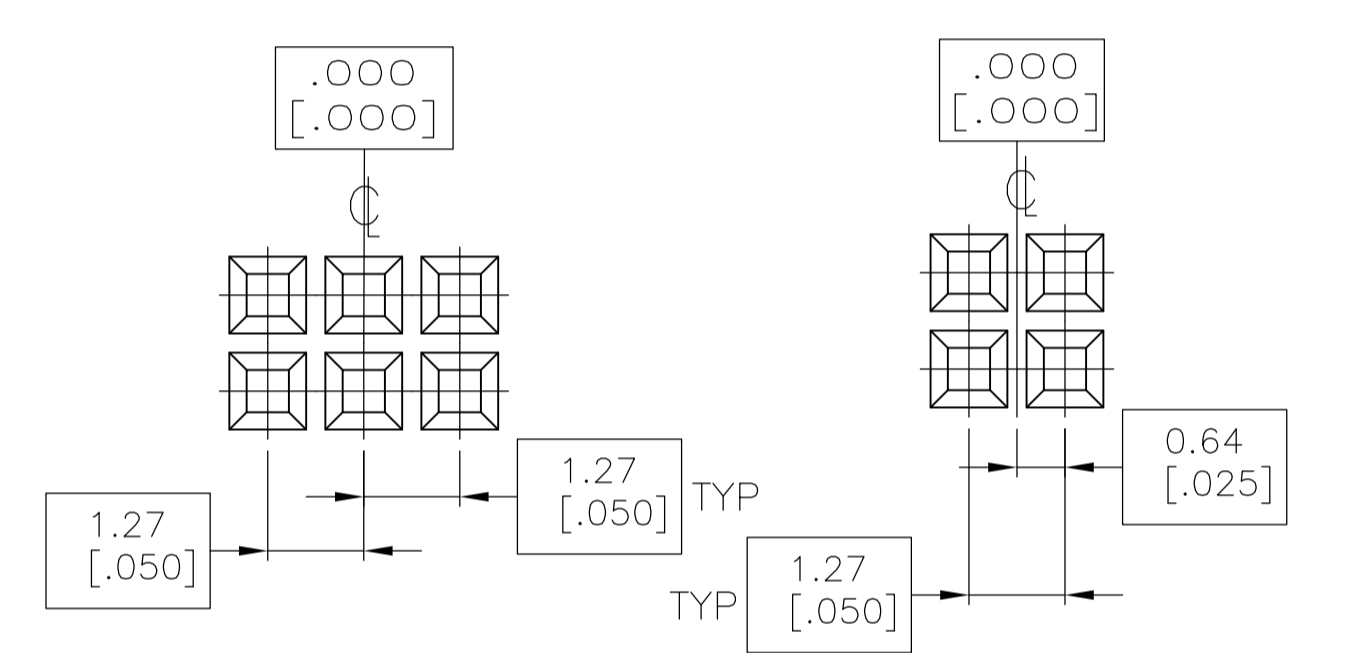
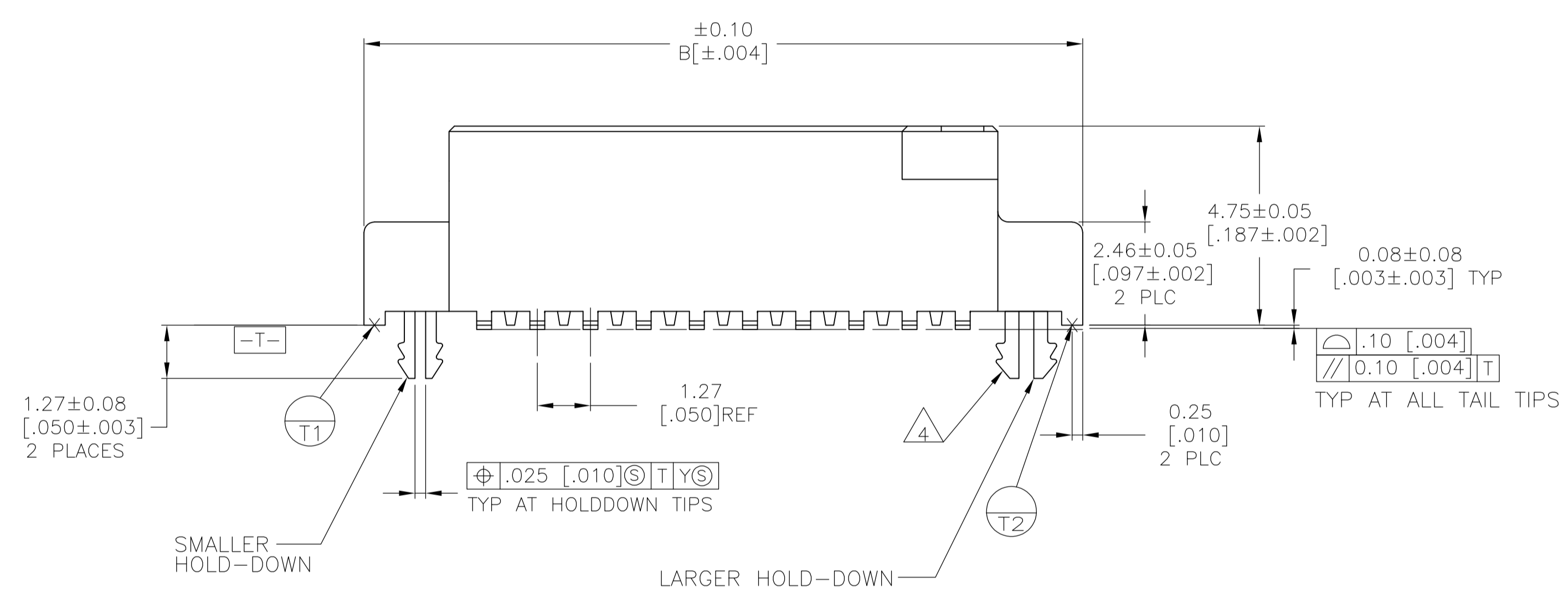


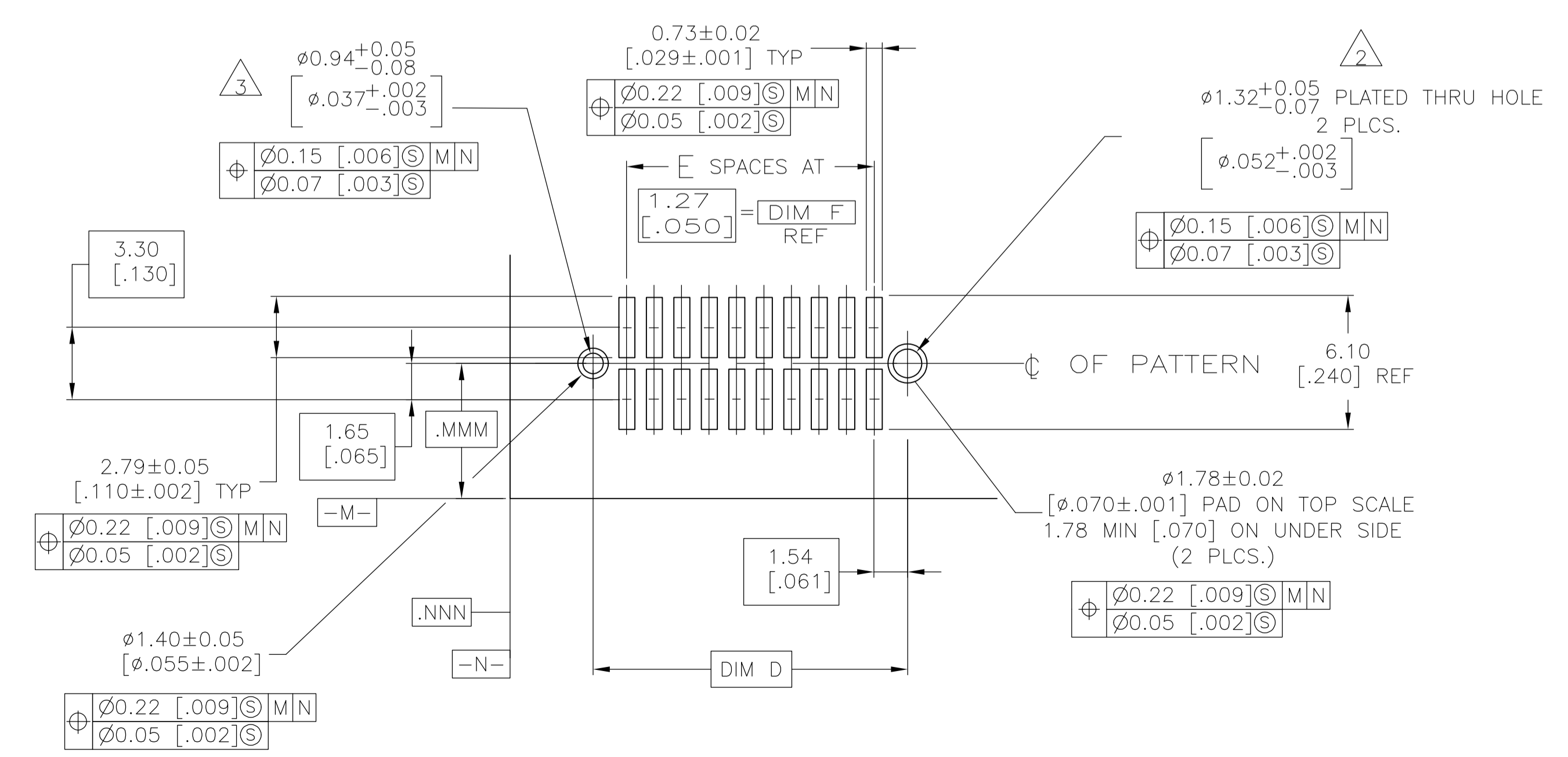
REVISONS		DATE	BY	APP'D
N	EC 0G3C 0697 04	23NOV04	BSV	DLS
N1	REVISED PER ECO-09-020689	31AUG09	KK	AEG



- 1 0.00076 [0.00030] GOLD IN LOCALIZED PLATE AREA
0.00381 [0.00150] TIN-LEAD ON SOLDER TAILS
ALL OVER 0.00127 [0.00050] NICKEL
- 2 USE $1.510 \pm 0.025 [0.0595 \pm 0.010]$ DRILLED HOLE (#53 DRILL)
FINISH TO BE TIN/LEAD OVER 0.02 [0.001] MIN COPPER
- 3 USE $1.070 \pm 0.025 [0.0420 \pm 0.010]$ DRILLED HOLE (#58 DRILL)
FINISH TO BE TIN/LEAD OVER 0.02 [0.001] MIN COPPER
- 4 PLATING: 0.0038 [0.00150] TIN-LEAD OVER 0.00127 [0.00050] NICKEL
- 5. IF PLANNING TO USE MORE THAN ONE MATING PAIR OF CONNECTORS
TO INTERCONNECT 2 BOARDS, PLEASE REFER TO PARA. 3.3 IN THE
APPLICATION SPEC, #114-7010
- 6 HOUSING: LCP, COLOR:BLACK.
CONTACT: COPPER ALLOY PER ASTM SPECIFICATION B422.
HOLDDOWN: COPPER ALLOY PER ASTM SPECIFICATION B194.
- 7 0.00076 [0.00030] GOLD IN LOCALIZED PLATE AREA, 0.00381
[0.00150] MIN TIN ON SOLDER TAILS, ALL OVER 0.00127
[0.00050] NICKEL.
- 8 OBSOLETE PARTS: OBSOLETE CIS STREAMLINING PER D.RENAUD/D.SINISI



BASIC DIMENSIONS FOR EVEN NO OF SPACES (SEE TABLE)
BASIC DIMENSIONS FOR ODD NO OF SPACES (SEE TABLE)



NO OF POS	A	B	C	D	E	F	PART NUMBER
60	38.51	42.57	19.940	39.88	29	36.83	5-104786-6
100	63.91	67.97	32.640	65.28	49	62.23	1-104786-0
90	57.56	61.62	29.46	58.93	44	55.88	104786-9
80	51.21	55.27	26.290	49.53	39	43.18	104786-8
70	44.86	48.92	23.11	46.23	34	36.83	104786-7
60	38.51	42.57	19.940	39.88	29	36.83	104786-6
50	32.16	36.22	16.76	30.48	24	30.48	104786-5
40	25.81	29.87	13.590	24.13	19	17.78	104786-4
30	19.46	23.52	10.41	17.78	14	11.43	104786-3
20	13.11	17.17	7.240	11.43	9	5.08	104786-2
10	6.75	10.82	4.06	5.08	4	2.00	104786-1

THIS DRAWING IS A CONTROLLED DOCUMENT. DATE 5/31/92. Tyco Electronics Corporation, Harrisburg, Pa 17105-3608.

DIMENSIONS: mm [INCHES]. TOLERANCES UNLESS OTHERWISE SPECIFIED: 0 PLC ±, 1 PLC ±, 2 PLC ±, 3 PLC ±, 4 PLC ±, ANGLES ±.

MATERIAL: FINISH: WEIGHT: SIZE: CAGE CODE: DRAWING NO: RESTRICTED TO: A1 00779 ©=104786

CUSTOMER DRAWING SCALE 10:1 SHEET 1 OF 1 REV N1

Mouser Electronics

Authorized Distributor

Click to View Pricing, Inventory, Delivery & Lifecycle Information:

[TE Connectivity:](#)

[104786-6](#)