

DO NOT SCALE FROM THIS PRINT

DESIGNED & DIMENSIONED IN INCHES [MILLIMETERS]

SNT-100-XX-X-X

BODY SPECIFICATION  
-100

OPTION  
\*-H: HANDLE  
(SEE -H OPTION)

COLOR SPECIFICATION

BK = BLACK  
RD = RED  
BL = BLUE  
YW = YELLOW

PLATING SPECIFICATION

-T: MATTE TIN CONTACT AND TAIL  
-G: 10µ" GOLD IN CONTACT AREA, 10µ" GOLD ON TAIL  
-H: 30µ" HEAVY GOLD IN CONTACT AREA, 3µ" GOLD ON TAIL.

\*= ONLY AVAILABLE WITH -BK OPTION

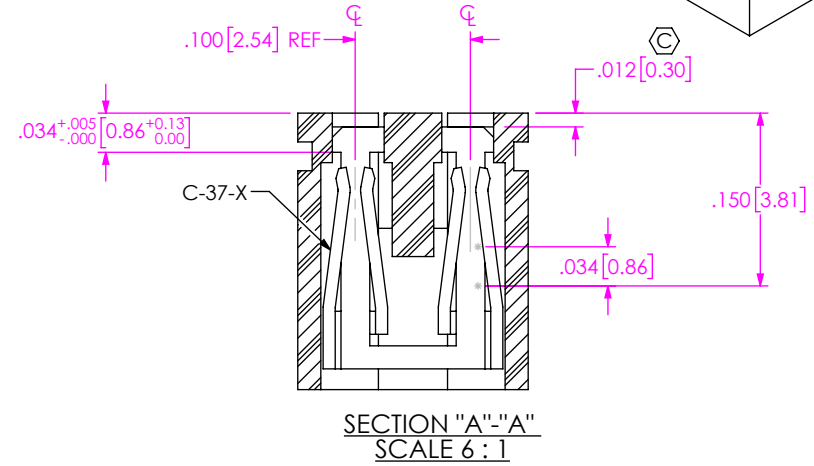
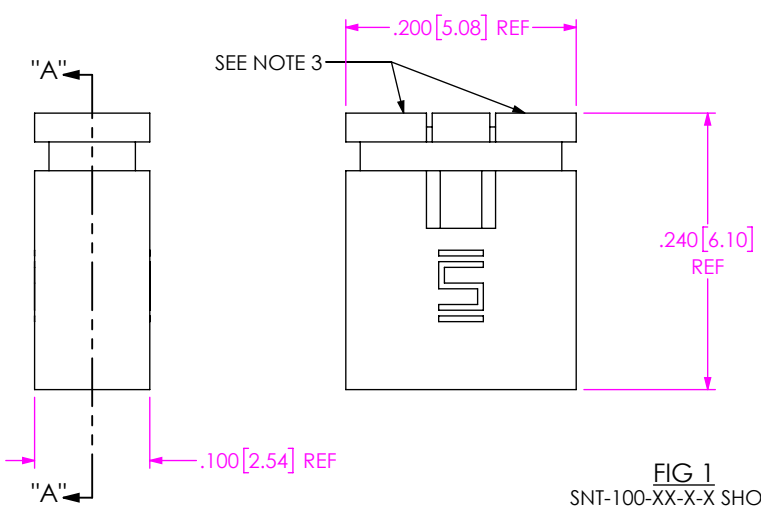
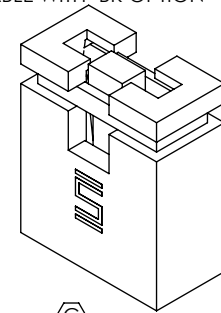
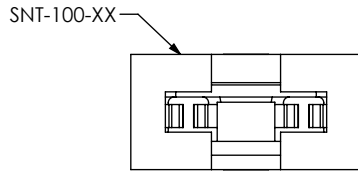

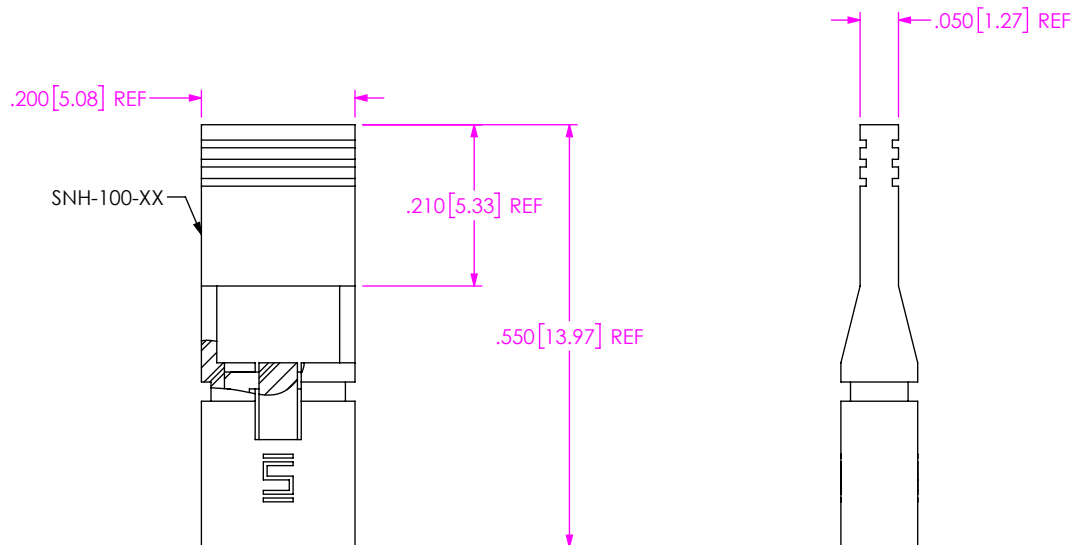


FIG 1  
SNT-100-XX-X-X SHOWN

NOTES:

1. Ⓢ REPRESENTS A CRITICAL DIMENSION.
2. MINIMUM PUSHOUT FORCE 1.0 LB (4.44N)
3. MAXIMUM BREAKOFF VESTIGE: .015[0.38].

<p>UNLESS OTHERWISE SPECIFIED, DIMENSIONS ARE IN INCHES. TOLERANCES ARE: DECIMALS      ANGLES .XX: ±.01 [0.3]      2° .XXX: ±.005 [0.13] .XXXX: ±.0020 [0.051]</p>	<p><b>PROPRIETARY NOTE</b> THIS DOCUMENT CONTAINS CONFIDENTIAL AND PROPRIETARY INFORMATION AND ALL DESIGN, MANUFACTURING, REPRODUCTION, USE, PATENT RIGHTS AND SALES RIGHTS ARE EXPRESSLY RESERVED BY SAMTEC, INC. THIS DOCUMENT SHALL NOT BE DISCLOSED, IN WHOLE OR PART, TO ANY UNAUTHORIZED PERSON OR ENTITY NOR REPRODUCED, TRANSFERRED OR INCORPORATED IN ANY OTHER PROJECT IN ANY MANNER WITHOUT THE EXPRESS WRITTEN CONSENT OF SAMTEC, INC.</p>	 <p>520 PARK EAST BLVD., NEW ALBANY, IN 47150 PHONE: 812-944-6733      FAX: 812-948-5047 e-Mail: info@SAMTEC.com      code 55322</p>
<p><b>MATERIAL:</b> DO NOT SCALE DRAWING INSULATOR: PBT, UL 94V-0 COLOR: SEE COLOR SPECIFICATION CONTACT: COPPER ALLOY</p>	<p>SHEET SCALE: 8:1</p>	<p>DESCRIPTION: .100 [2.54] C.L. SHUNT ASSEMBLY DWG. NO.      <b>SNT-100-XX-X-X</b> BY: KOLB      1/31/90      SHEET 1 OF 2</p>



\*-H OPTION  
 (SAME AS FIG 1 EXCEPT AS SHOWN)  
 SNT-100-XX-X-H SHOWN  
 \*= ONLY AVAILABLE WITH -BK OPTION

• PROPRIETARY NOTE •  
 THIS DOCUMENT CONTAINS CONFIDENTIAL AND PROPRIETARY INFORMATION AND ALL DESIGN, MANUFACTURING, REPRODUCTION, USE, PATENT RIGHTS AND SALES RIGHTS ARE EXPRESSLY RESERVED BY SAMTEC, INC. THIS DOCUMENT SHALL NOT BE DISCLOSED, IN WHOLE OR PART, TO ANY UNAUTHORIZED PERSON OR ENTITY NOR REPRODUCED, TRANSFERRED OR INCORPORATED IN ANY OTHER PROJECT IN ANY MANNER WITHOUT THE EXPRESS WRITTEN CONSENT OF SAMTEC, INC.



520 PARK EAST BLVD, NEW ALBANY, IN 47150  
 PHONE: 812-944-6733 FAX: 812-948-5047  
 e-Mail info@SAMTEC.com code 55322

SHEET SCALE: 6:1

DESCRIPTION: .100 [2.54] C.L. SHUNT ASSEMBLY

DWG. NO. SNT-100-XX-X-X

BY: KOLB 1/31/90 SHEET 2 OF 2