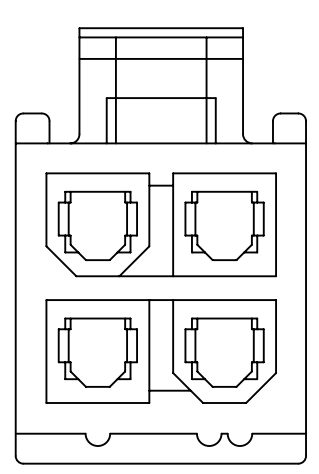


| PART NUMBER | ENG. NUMBER | MATERIAL (SEE NOTE 1) |
|-------------|---------------|-----------------------|
| 39-01-3028 | 5557-02R1-210 | 94V-0 |
| 39-01-3048 | 5557-04R1-210 | 94V-0 |
| 39-01-3022 | 5557-02R1 | 94V-2 |
| 39-01-3042 | 5557-04R1 | 94V-2 |
| 39-01-6026 | 5557-02R1-BL | 94V-2, BLACK |
| NO E.D.P. | 5557-04R1-BL | 94V-2, BLACK |

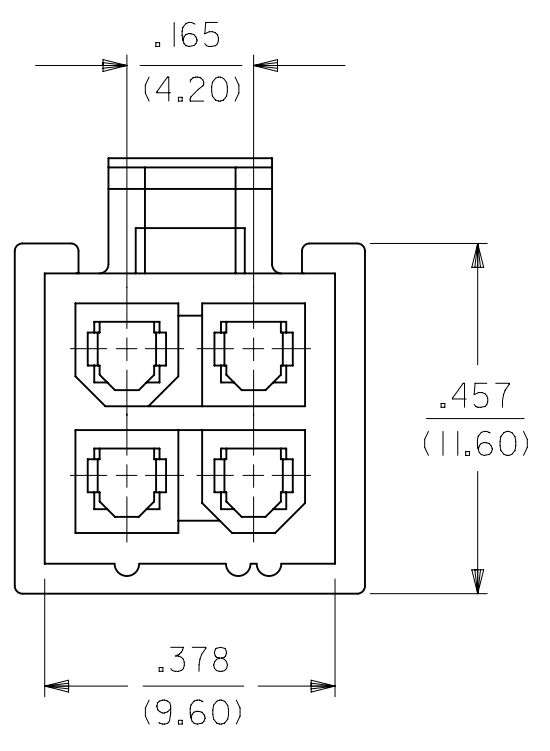
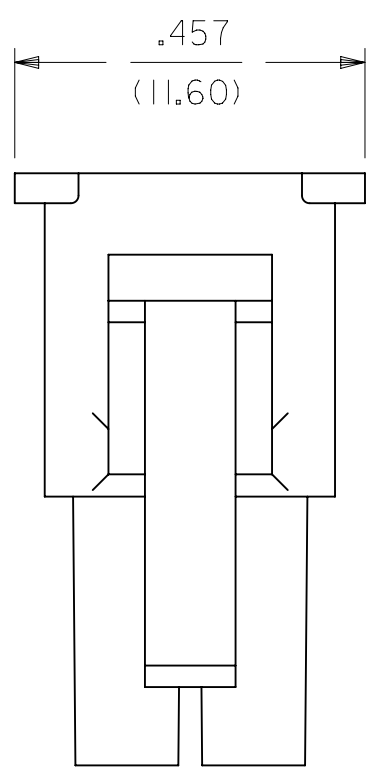
LEGEND:

5557-*** R1-****

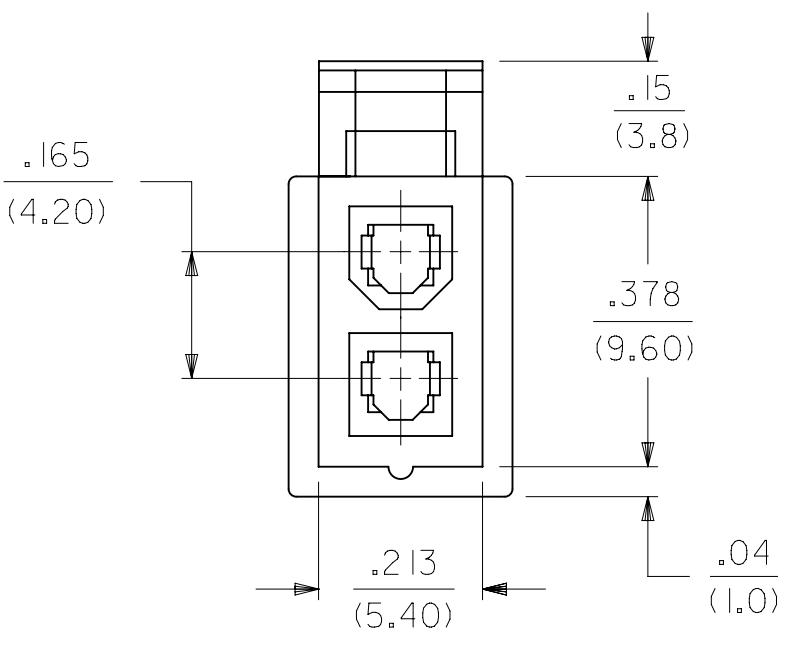
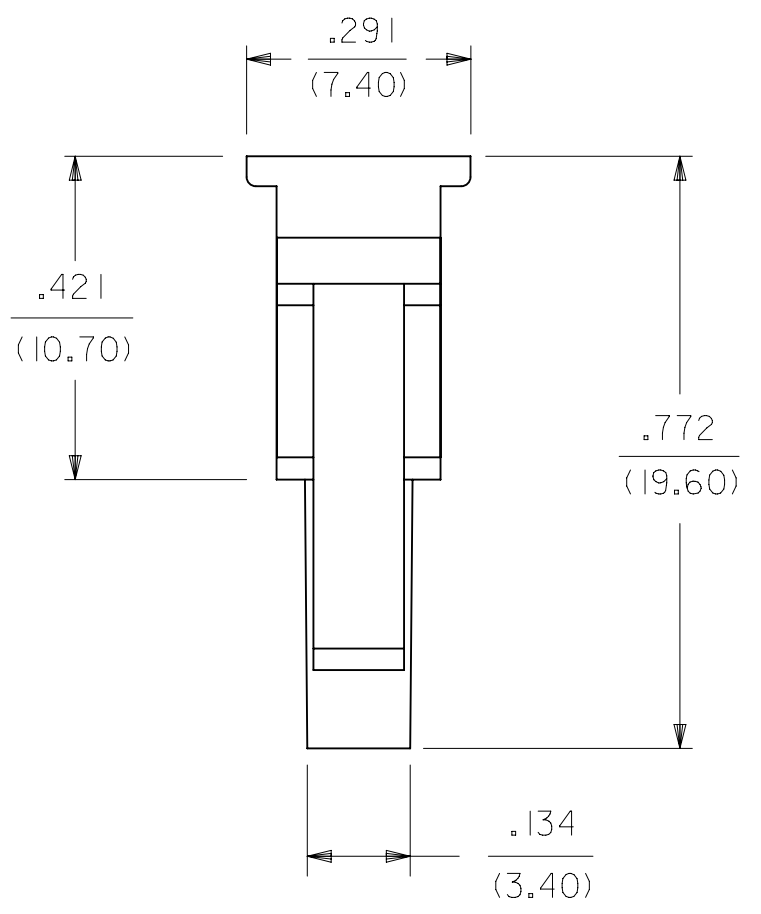
BASE NUMBER
 CKT. SIZE
 RECEPTACLE
 (WITH SIDE PULL TABS)
 MATERIAL OPTION:
 (SEE NOTE 1)



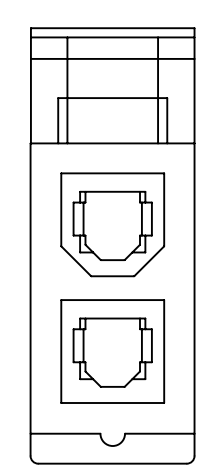
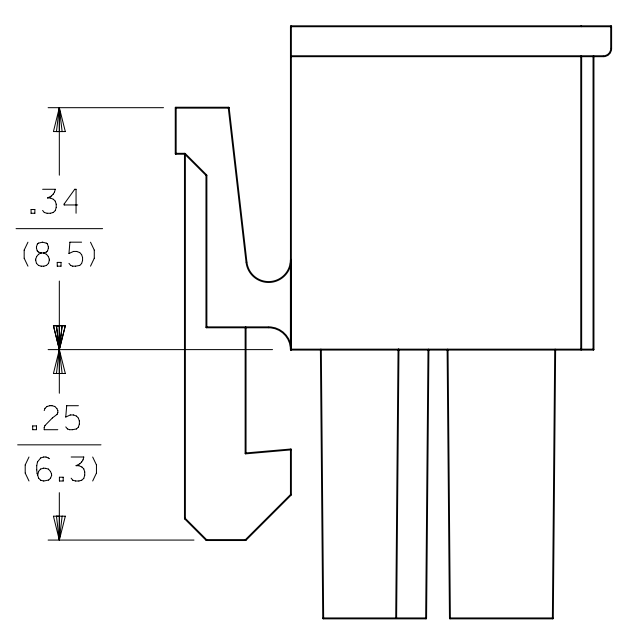
5557-04R-***
 (WITHOUT SIDE PULL TABS)
 (SHOWN FOR REFERENCE ONLY)



5557-04R1-***



5557-02R1-***



5557-02R-***
 (WITHOUT SIDE PULL TABS)
 (SHOWN FOR REFERENCE ONLY)

NOTES:

- MATERIAL:
 "BLANK" = NYLON 6/6, U.L. 94V-2. COLOR: NATURAL.
 "210" = NYLON 6/6, U.L. 94V-0. COLOR: NATURAL.
 "BL" = NYLON 6/6, U.L. 94V-2. COLOR: BLACK.
- FINISH: NOT APPLICABLE
- PRODUCT SPECIFICATION: PS-5556-001.
- PARTS TO BE PACKAGED PER PK-5557-002
- PART MATES WITH MOLEX PLUG #5559.
- PART IS FOR USE WITH MOLEX FEMALE TERMINAL #5556.
- PART IS NOT DESIGNED FOR CURRENT SHARING.
- CONNECTORS ARE NOT TO BE MATED OR UNMATED WHILE CIRCUITS ARE LIVE.
- WIRES ARE TO BE DRESSED IN SUCH A MANNER TO ALLOW THE TERMINALS TO FLOAT FREELY IN THE POCKET.
- PART CONFORMS TO CLASS "B" REQUIREMENTS OF COSMETIC SPECIFICATION PS-45499-002

| | | | | | | | | | |
|---|--|--|--|---|--|---|--|--------------------------|--|
| THIS DRAWING CONTAINS INFORMATION THAT IS PROPRIETARY TO MOLEX ELECTRONIC TECHNOLOGIES, LLC AND SHOULD NOT BE USED WITHOUT WRITTEN PERMISSION | | | | | | | | | |
| SYMBOLS | | DIMENSION UNITS | | SCALE | | CURRENT REV DESC: MIGRATE TO ECTR | | | |
| = 0 | | IN/MM | | 4:1 | | molex 2 & 4 CKT RECEPTACLE, MINI-FIT JR. SERIES WITH SIDE TABS PRODUCT CUSTOMER DRAWING | | | |
| = 0 | | GENERAL TOLERANCES (UNLESS SPECIFIED) | | | | | | | |
| = 0 | | MM | | INCH | | | | | |
| = 0 | | 4 PLACES ± | | ± | | | | | |
| = 0 | | 3 PLACES ± | | ± 0.015 | | EC NO: 172489 DRWN: AZAHIROVIC 2018/01/24 CHK'D: JBELL 2018/02/20 APPR: FSMITH 2018/02/22 | | | |
| = 0 | | 2 PLACES ± | | ± 0.38 ± 0.015 | | INITIAL REVISION: | | | |
| = 0 | | 1 PLACE ± | | ± 0.38 ± | | DRWN: GEP 1990/08/08 APPR: FSMITH 2012/05/04 | | | |
| = 0 | | 0 PLACES ± | | ± | | DOCUMENT NUMBER: 55570001-SD DOC TYPE: PSD DOC PART: 000 REVISION: A | | | |
| = 0 | | ANGULAR TOL ± 0.5 ° | | THIRD ANGLE PROJECTION | | DRAWING: C-SIZE | | SERIES: 5557 | |
| = 0 | | DRAFT WHERE APPLICABLE MUST REMAIN WITHIN DIMENSIONS | | | | MATERIAL NUMBER: SEE CHART | | CUSTOMER: GENERAL MARKET | |
| = 0 | | SHEET NUMBER: 1 OF 1 | | THIS DRAWING REPLACES DRAWING SD-5557-***R1-* | | | | | |