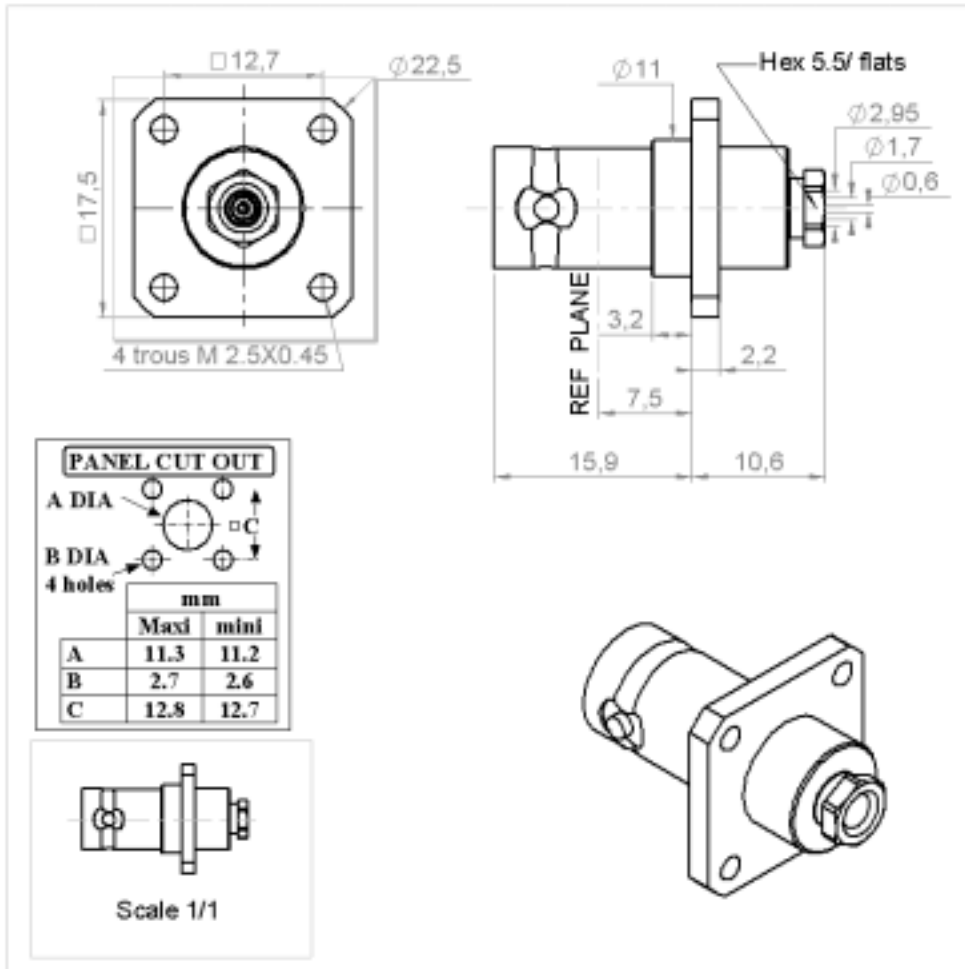


STRAIGHT SQUARE FLANGE JACK

R142.202.000

CLAMP TYPE - CABLE 2.6/75 S

Series : **BNC 75**



All dimensions are in mm.



| COMPONENTS | MATERIALS | PLATINGS (µm) |
|----------------|------------------|------------------------|
| BODY | BRASS | NICKEL 2 |
| CENTER CONTACT | BERYLLIUM COPPER | GOLD 0.5 OVER NICKEL 2 |
| OUTER CONTACT | - | - |
| INSULATOR | PTFE | - |
| GASKET | - | - |
| OTHERS PARTS | BRASS | NICKEL 2 |
| - | - | - |
| - | - | - |

Issue : 0326 K

In the effort to improve our products, we reserve the right to make changes judged to be necessary.



STRAIGHT SQUARE FLANGE JACK

R142.202.000

CLAMP TYPE - CABLE 2.6/75 S

Series : **BNC 75**

PACKAGING

| Standard | Unit | Other |
|----------|------|-------------------|
| 1 | - | Contact us |

SPECIFICATION

QAE 06-02A - -

ELECTRICAL CHARACTERISTICS

| | | |
|---------------------------------|---------------|------------------------------|
| Impedance | | 75 Ω |
| Frequency | | 0-1.5 GHz |
| VSWR | 1.30 + | 0.000 x F(GHz) Maxi |
| Insertion loss | | 0.115 √F(GHz) dB Maxi |
| RF leakage | - (| 57 - F(GHz)) dB Maxi |
| Voltage rating | | 335 Veff Maxi |
| Dielectric withstanding voltage | | 1000 Veff mini |
| Insulation resistance | | 5000 MΩ mini |

CABLE ASSEMBLY

| Stripping | a | b | c | d | e | f |
|-----------|------|------|------|------|------|------|
| mm | 3.50 | 1.00 | 8.00 | 2.00 | 4.50 | 0.00 |

Assembly instruction : **Clamp 01**

Recommended cable(s)
RG 179
RG 187

Characteristics indicated on this data sheet are those that can be achieved with the highest performance cable. Intrinsic limitations of the cable may diminish the performance of the assembly

Cable retention

- pull off **40** N mini
- torque **NA** N.cm

MECHANICAL CHARACTERISTICS

| | | |
|----------------------------|--|---------------------|
| Center contact retention | | |
| Axial force – Mating end | | 27 N mini |
| Axial force – Opposite end | | 27 N mini |
| Torque | | NA N.cm mini |

TOOLING

| Part Number | Description | Hexagon |
|-------------|-------------|---------|
| . | . | . |

| | | |
|--------------------|--|-----------------|
| Recommended torque | | |
| Mating | | NA N.cm |
| Panel nut | | NA N.cm |
| Clamp nut | | 40 N.cm |
| A/F clamp nut | | 5.500 mm |

| | | |
|-------------|--|------------------------|
| Mating life | | 500 Cycles mini |
| Weight | | 0.000 g |

OTHERS CHARACTERISTICS

-

ENVIRONMENTAL

| | | |
|-----------------------|--|---------------------|
| Operating temperature | | -65/+165 °C |
| Hermetic seal | | NA Atm.cm3/s |
| Panel leakage | | NA |

Issue : **0326 K**

In the effort to improve our products, we reserve the right to make changes judged to be necessary.



Mouser Electronics

Authorized Distributor

Click to View Pricing, Inventory, Delivery & Lifecycle Information:

[Radial:](#)

[R142202000](#)