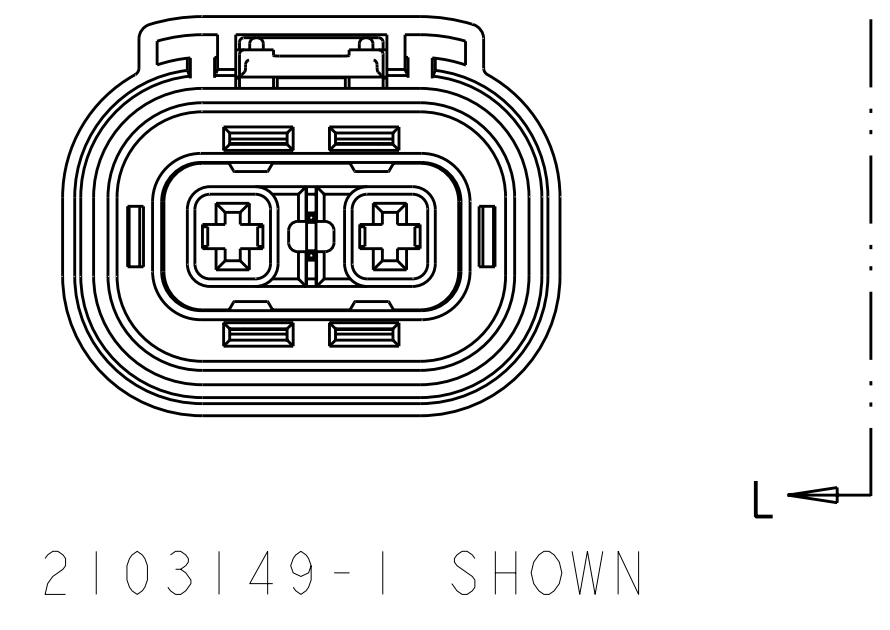
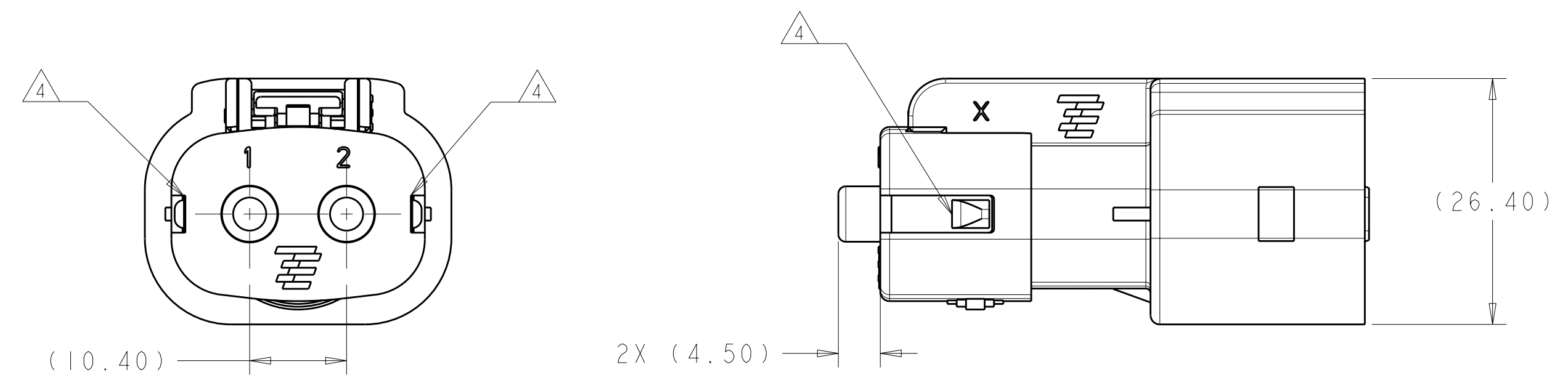
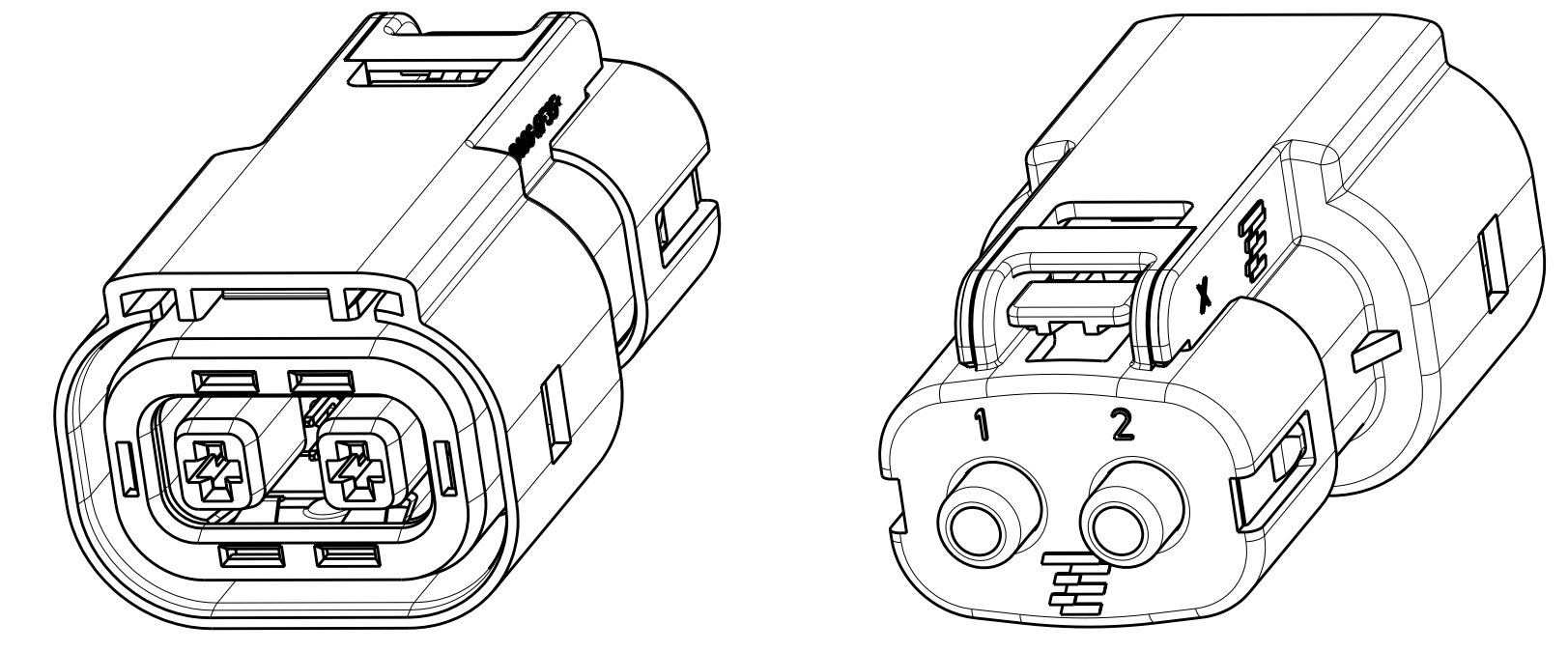
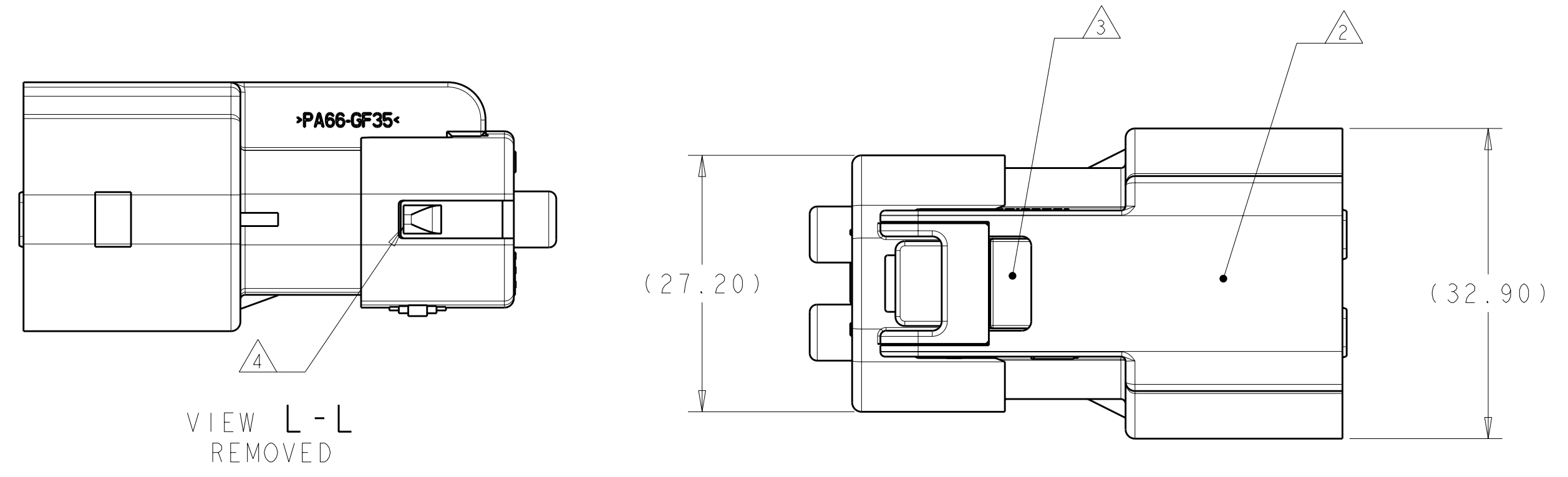
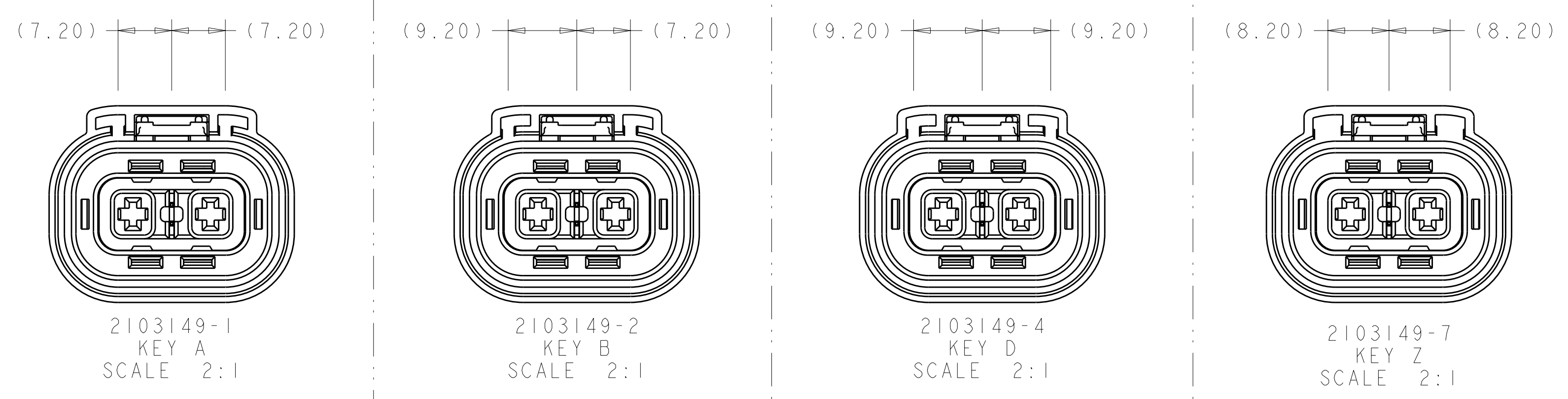
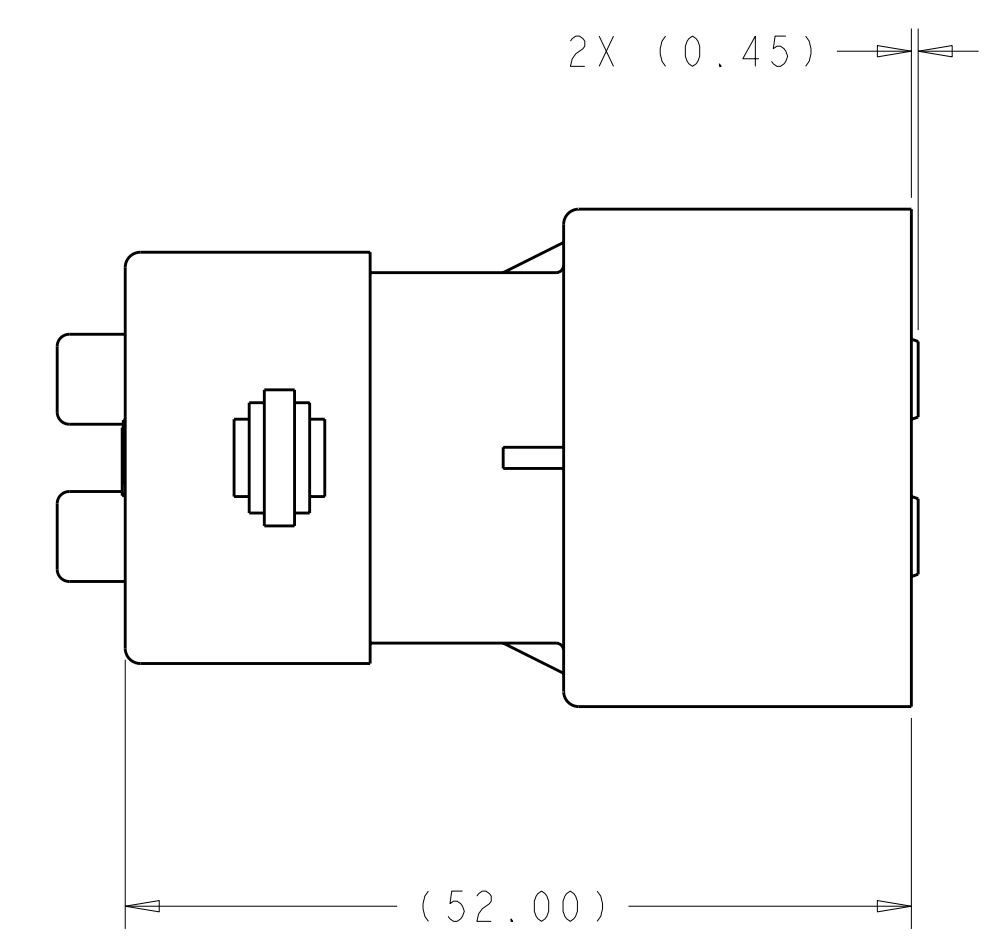


LOC	DIST	REVISIONS			
		REV	DATE	BY	APPD
HV	00	A	14FEB2012	DS	AT
		A1	12MAR2012	DS	AT



- CONNECTOR MUST BE FREE OF ANY MECHANICAL DEFECTS WHICH MAY AFFECT FIT, FORM, OR PERFORMANCE
- PLUG SUB ASSEMBLY PART NUMBER AND JULIAN DATE CODE MARKED IN THIS AREA
- FLOATING LATCH MUST BE FULLY INSTALLED AS SHOWN
- WIRE SEAL RETAINER MUST BE FULLY LOCKED IN TWO LOCATIONS ONTO OUTER HOUSING.
- NOTE DELETED



DESCRIPTION	PART NO
PLUG, HVIL ONLY, KEY Z, HVA280-2PHI	2103149-7
PLUG, HVIL ONLY, KEY D, HVA280-2PHI	2103149-4
PLUG, HVIL ONLY, KEY B, HVA280-2PHI	2103149-2
PLUG, HVIL ONLY, KEY A, HVA280-2PHI	2103149-1

THIS DRAWING IS A CONTROLLED DOCUMENT. DIMENSIONING AND TOLERANCING PER ASME Y14.5M-2009.		DWN D SIMPSON 28OCT2010	TE Connectivity
TOLERANCES UNLESS OTHERWISE SPECIFIED:		CHK A TYLER 28OCT2010	
DIMENSIONS:	mm	PRODUCT SPEC 108-2394	NAME PLUG, HVIL ONLY, HVA280-2PHI
0 PLC	±	APPLICATION SPEC 114-13259	SIZE CAGE CODE DRAWING NO RESTRICTED TO
1 PLC	±0.2	WEIGHT	A100779C=2103149
2 PLC	±0.10	CUSTOMER DRAWING	SCALE 1:1 SHEET 1 OF 1 REV A1
3 PLC	±0.013		
4 PLC	±0.0001		
ANGLES	±1°		
FINISH			

# Mouser Electronics

Authorized Distributor

Click to View Pricing, Inventory, Delivery & Lifecycle Information:

[TE Connectivity:](#)

[2103149-7](#)