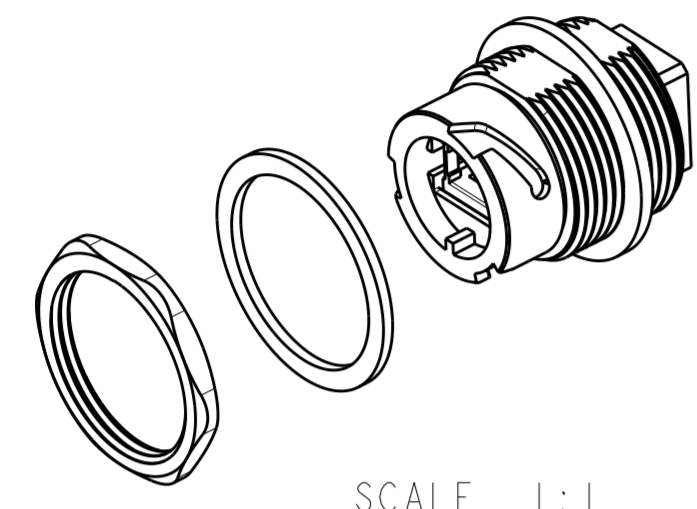


THIS DRAWING IS UNPUBLISHED. RELEASED FOR PUBLICATION 20
 © COPYRIGHT 20 BY - ALL RIGHTS RESERVED.

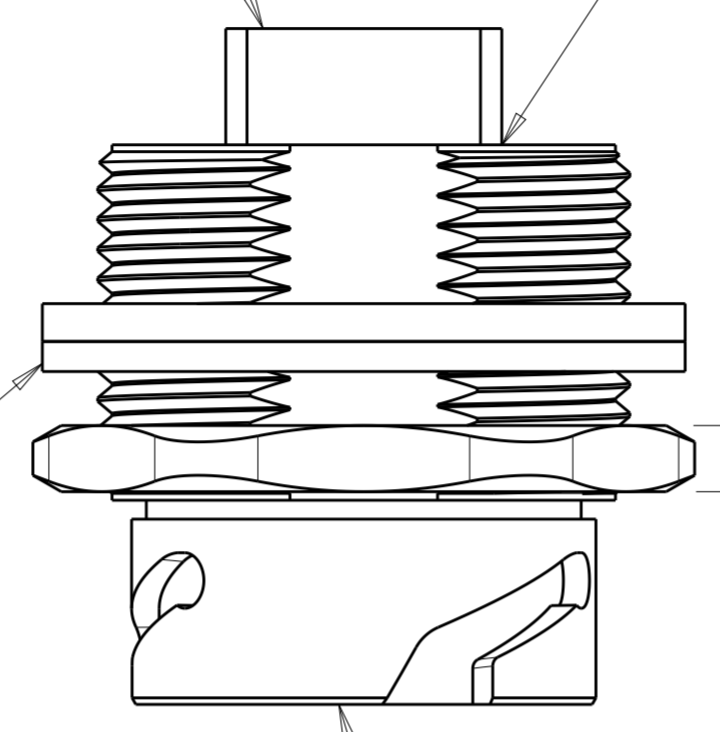
LOC	DIST	REVISIONS					
FT	0	P	LTR	DESCRIPTION	DATE	DWN	APVD
		C1		REVISED PER ECO-11-004820	11MAR2011	RK	HMR
		C2		PN 1-1738601-3 INTRODUCED (REFER SHEET 2)	27SEP2016	TJ	NG
		C3		PN 1738601-3 DISCONTINUED	11AUG2017	TJ	NG

COUPLER, RJ-45
 CATEGORY: SEE TABLE, 8 POSITION
 HOUSING: THERMOPLASTIC
 CONTACTS: PHOSPHOR BRONZE, GOLD OVER NICKEL



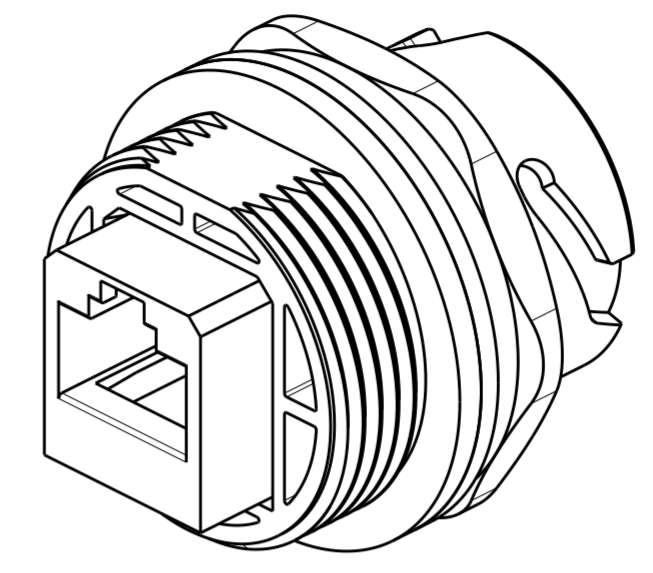
SCALE 1:1

△ PANEL GASKET
 ELASTOMER, COLOR: ORANGE

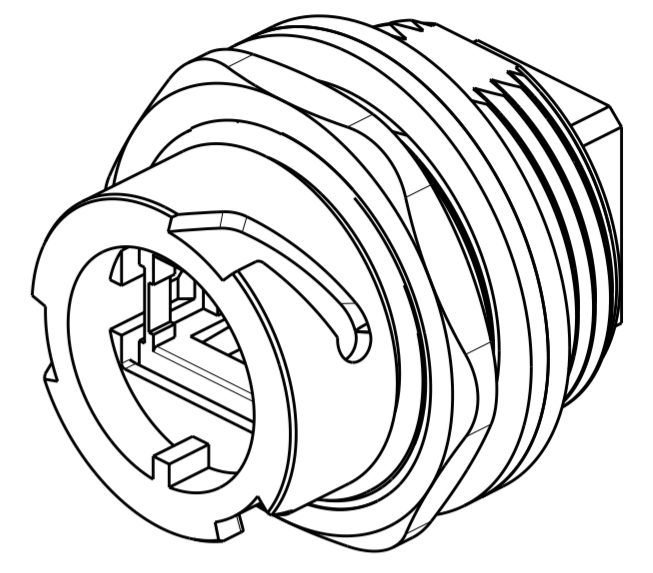


3.5
 PANEL NUT
 BRASS, NICKEL PLATED

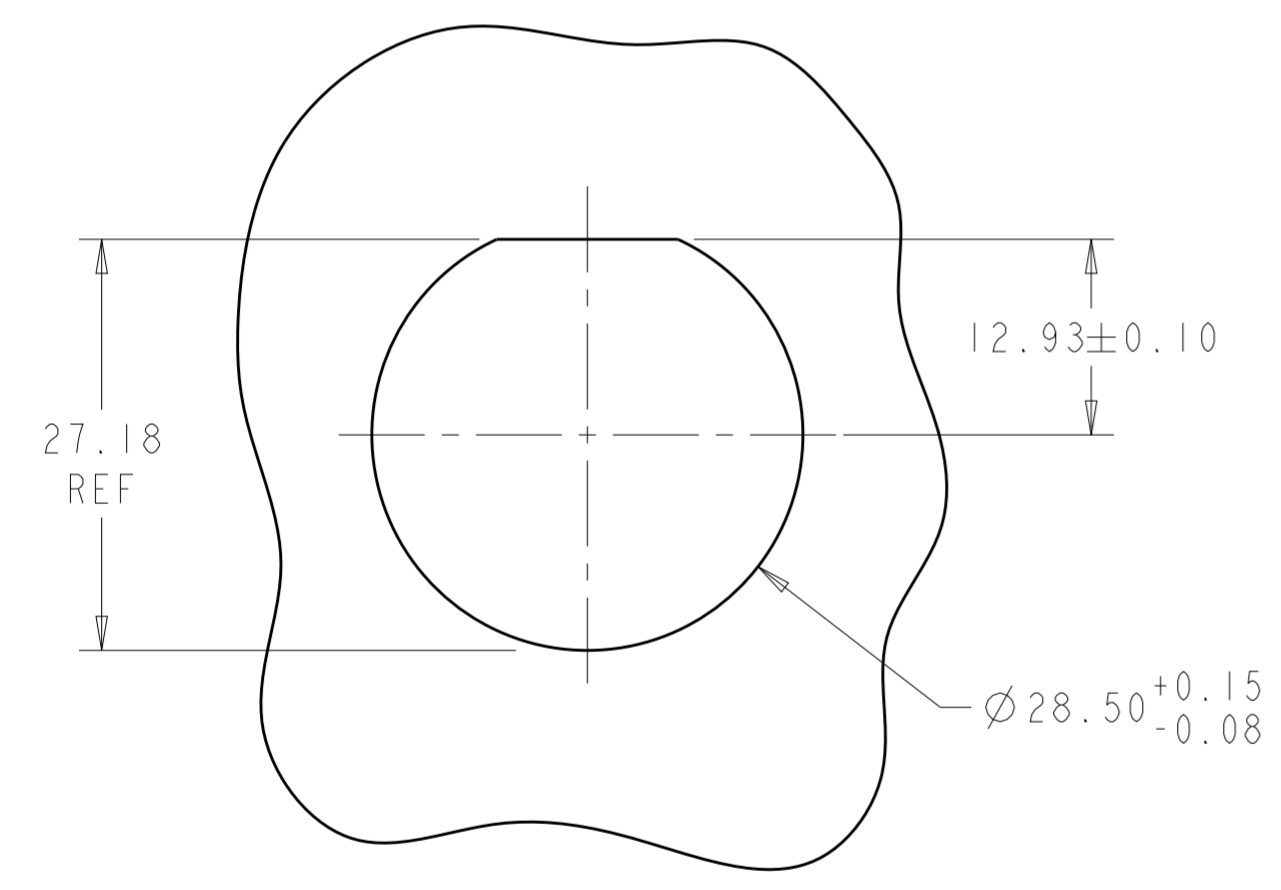
RECEPTACLE HOUSING
 POLYESTER, COLOR: BLACK



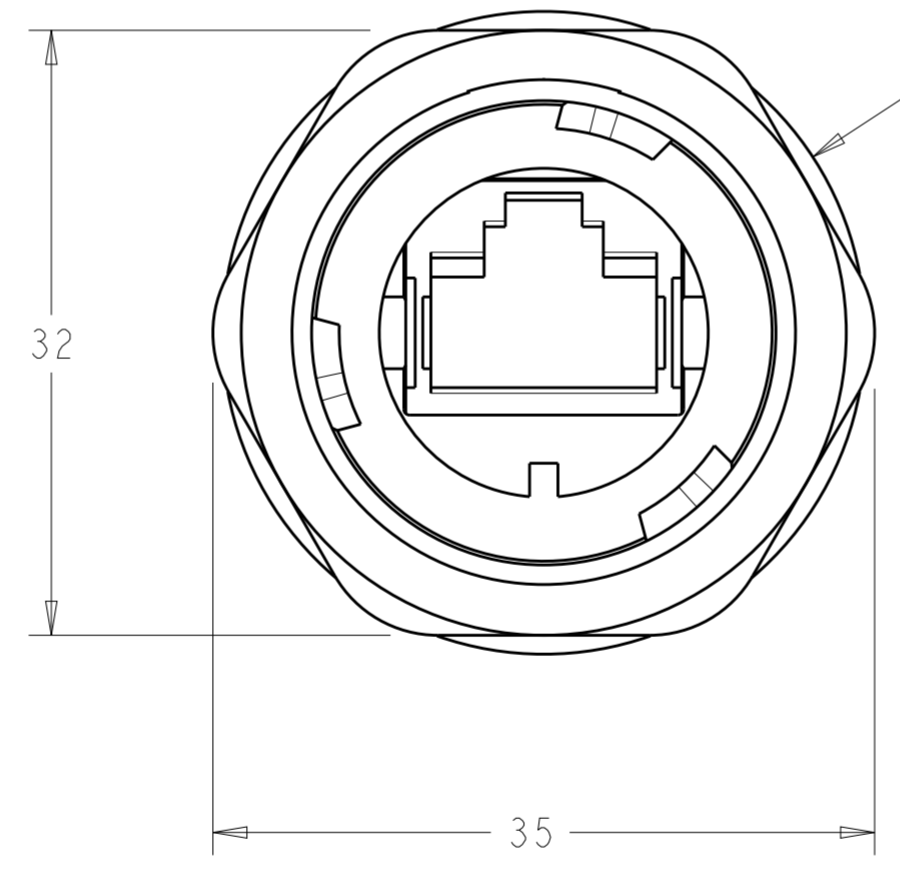
SCALE 2:1



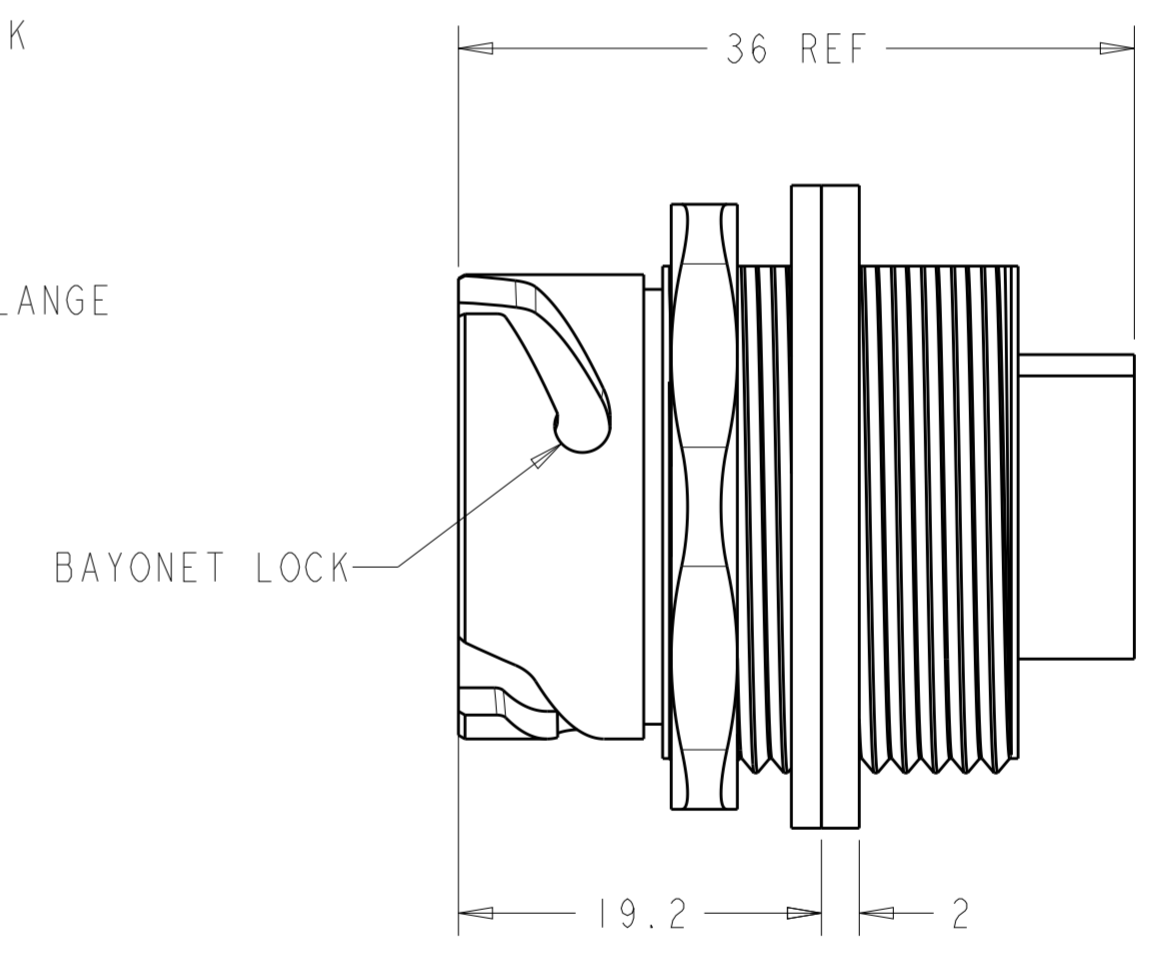
SCALE 2:1



△ SUGGESTED PANEL CUTOUT



Ø 34.0
 PANEL FLANGE



BAYONET LOCK

OBSOLETE	CAT 6e	NO	FRONT	△ 1-1738601-3
	CAT 6e	NO	FRONT/REAR	1738601-3
	CAT 5e	△ 5	FRONT/REAR	1738601-2
	CAT 5e	NO	FRONT/REAR	1738601-1
	CATEGORY	COUPLER BONDED	PANEL MOUNTING TYPE	PART NUMBER

- △ 1 CONNECTOR MAY BE FRONT OR REAR MOUNTED TO A MAXIMUM PANEL THICKNESS OF 3.2 mm.
- 2. COUPLER LINES CROSSOVER BETWEEN PORTS.
- 3. THIS PRODUCT HAS NOT COMPLETED VALIDATION TESTING.
- 4. PANEL NUT AND PANEL GASKET ARE PACKAGED UNASSEMBLED IN POLYBAG.
- △ 5 COUPLER BONDED TO HOUSING BY ADHESIVE ALONG EDGE WHERE COUPLER MEETS HOUSING, SEE TABLE.
- △ 6 PRELIMINARY



THIS DRAWING IS A CONTROLLED DOCUMENT.

DIMENSIONS:	TOLERANCES UNLESS OTHERWISE SPECIFIED:	DWN	R. L. KOLLER	25MAR04
mm	0 PLC ±0.3	CHK	J. LANDIS	26MAR04
	1 PLC ±0.2	APVD	S. HEADER	17JUN
	2 PLC ±0.10	PRODUCT SPEC		
	3 PLC ±	APPLICATION SPEC		
	4 PLC ±			
	ANGLES ±1°			
MATERIAL	FINISH	WEIGHT		

STE TE Connectivity

RECEPTACLE KIT, INDUSTRIAL CIRCULAR ETHERNET CONNECTOR

SIZE: A2 CAGE CODE: 00779 DRAWING NO: C-1738601 RESTRICTED TO: -

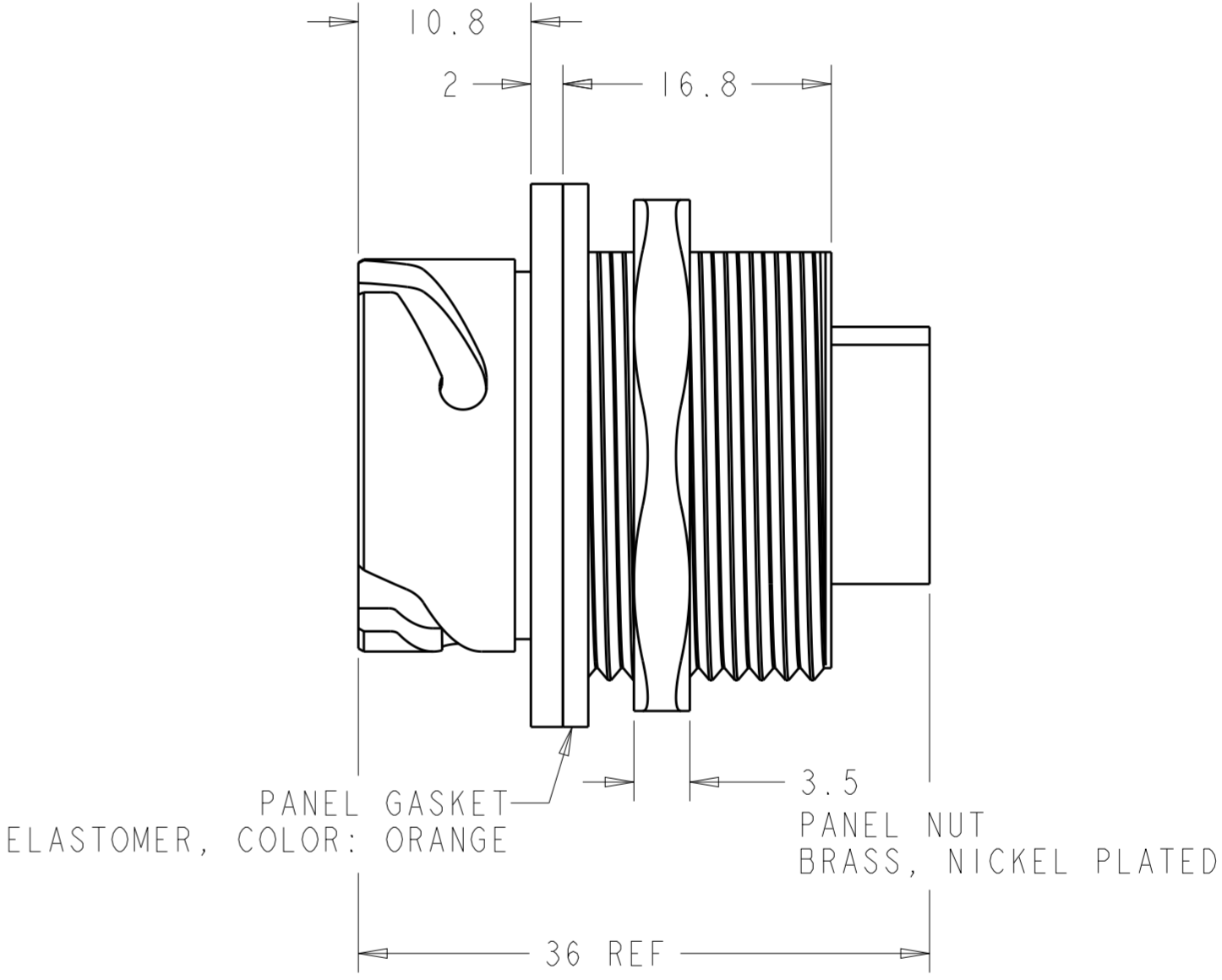
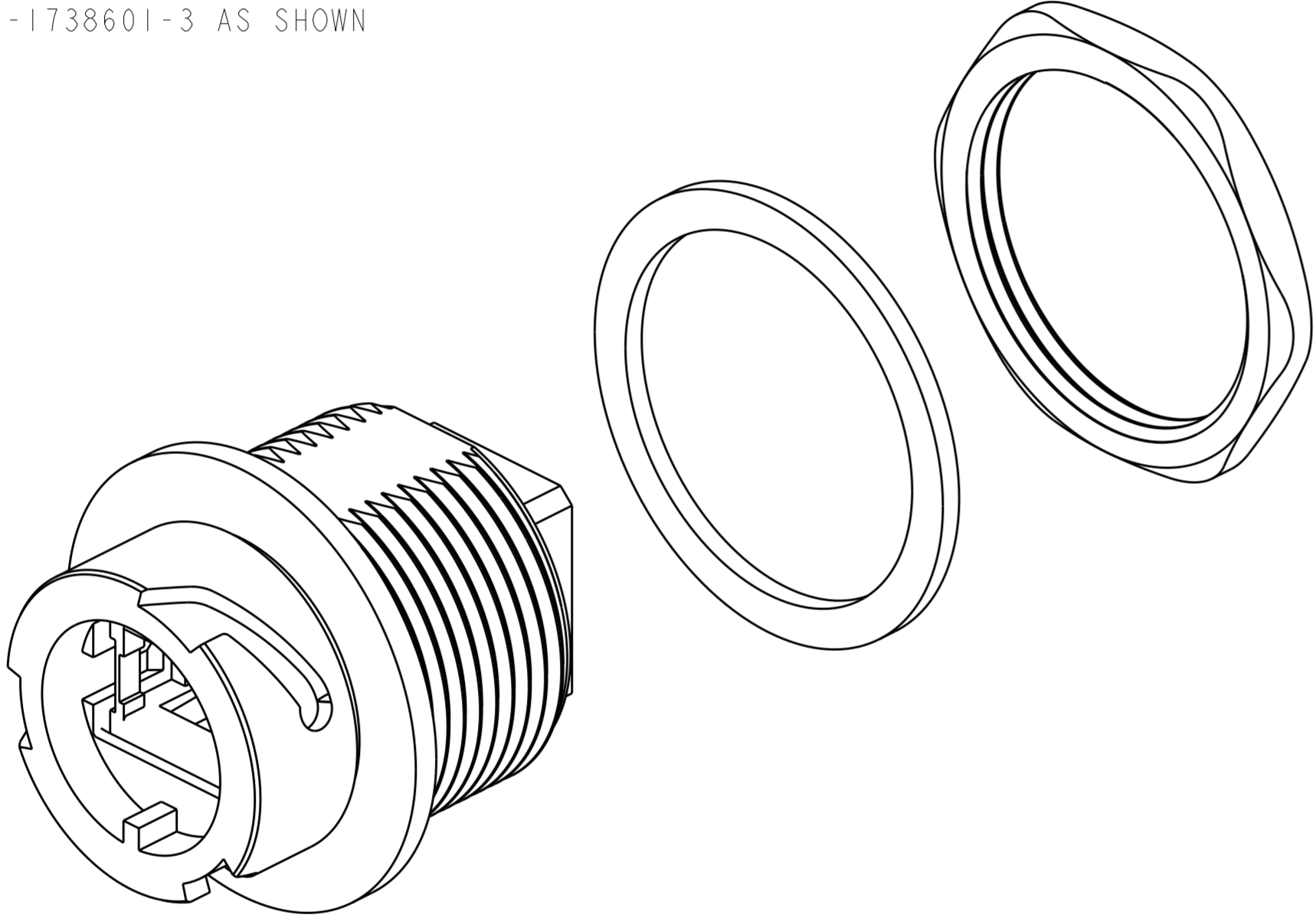
CUSTOMER DRAWING SCALE: 5:2 SHEET 1 OF 2 REV: C3

THIS DRAWING IS UNPUBLISHED. RELEASED FOR PUBLICATION 20
 © COPYRIGHT 20 BY - ALL RIGHTS RESERVED.

LOC	DIST	REVISIONS					
FT	0	P	LTR	DESCRIPTION	DATE	DWN	APVD
				SEE SHEET 1			

PRELIMINARY
 vorläufig

PN 1-1738601-3 AS SHOWN



THIS DRAWING IS A CONTROLLED DOCUMENT.		DWN M THAJUDEEN 29AUG2016	TE Connectivity	
DIMENSIONS: mm		CHK GURURAJ S 29AUG2016		
TOLERANCES UNLESS OTHERWISE SPECIFIED:		APVD N GANI 29AUG2016	NAME RECEPTACLE KIT, INDUSTRIAL CIRCULAR ETHERNET CONNECTOR	
0 PLC ±0.3 1 PLC ±0.2 2 PLC ±0.10 3 PLC ± 4 PLC ± ANGLES ±1° FINISH		PRODUCT SPEC 108-2198	SIZE A2	CAGE CODE 00779
MATERIAL		APPLICATION SPEC 114-13136	DRAWING NO 1738601	RESTRICTED TO -
		WEIGHT -	SCALE 5:2 SHEET 2 OF 2 REV C3	
		CUSTOMER DRAWING		

Mouser Electronics

Authorized Distributor

Click to View Pricing, Inventory, Delivery & Lifecycle Information:

[TE Connectivity:](#)

[1738601-1](#) [1738601-2](#)