

4200N Series

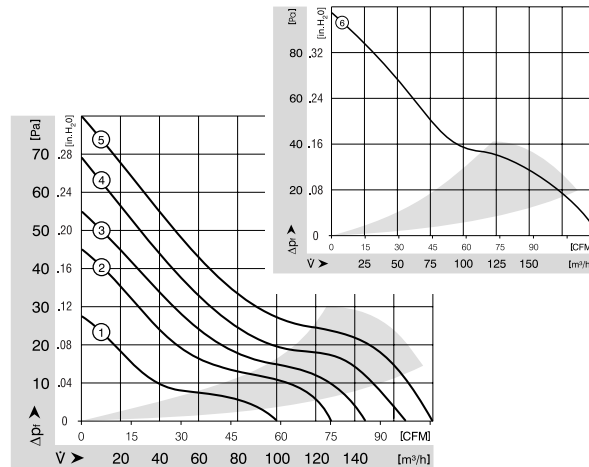
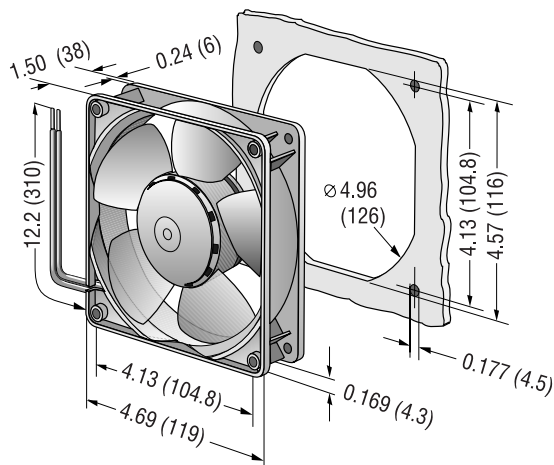
Tubeaxial

119x119x38mm



- DC fans with electronically commutated external rotor motor. Fully integrated commutation electronics.
- With electronic protection against reverse polarity, blocking and overloading; partially impedance protected.
- Mounting from either face using four 4.3 mm holes.
- Fan of fiberglass reinforced plastic. PBTP housing, PA impeller.
- Air exhaust over struts. Rotational direction CCW looking at rotor.
- Electrical connection via 2 leads AWG 22, TR 64. Stripped and tinned ends.
- UL, CSA, VDE approvals on some models, please contact application engineering.

Part Number	Curve	CFM @ 0	VDC	Volt. Range	Power (W)	dBA	Max Amb. Temp C	Bearing Type	Features	Wgt. (lbs)
4212NGL	1	58.9	12	7 to 14.5	1.4	28	70	Sintec	Leads	0.51
4212NL	1	58.9	12	7 to 14.5	1.1	28	70	Ball	Leads	0.51
4212NGML	2	74.7	12	7 to 14.5	2.3	35	70	Sintec	Leads	0.51
4212NML	2	74.7	12	7 to 14.5	1.9	35	70	Ball	Leads	0.51
4212NGM	3	84.8	12	7 to 14.5	3.1	38	70	Sintec	Leads	0.51
4212NM	3	84.8	12	7 to 14.5	2.8	38	70	Ball	Leads	0.51
4212NGN	4	97.1	12	7 to 14.5	4.3	42	70	Sintec	Terminals	0.51
4212NN	4	97.1	12	7 to 14.5	4.0	42	70	Ball	Leads	0.51
4212NH	5	105.9	12	7 to 14.5	4.8	45	70	Ball	Leads	0.51
4212NHH	6	120.7	12	7 to 14.5	7.5	49	60	Ball	Leads	0.51
4214NGL	1	58.9	24	12 to 28	1.4	28	70	Sintec	Leads	0.51
4214NL	1	58.9	24	12 to 28	1.2	28	70	Ball	Leads	0.51
4214NGML	2	74.7	24	12 to 28	2.3	35	70	Sintec	Leads	0.51
4214NML	2	74.7	24	12 to 28	1.9	35	70	Ball	Leads	0.51



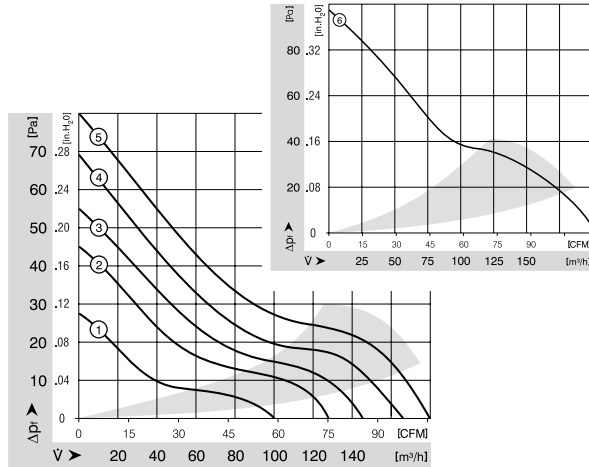
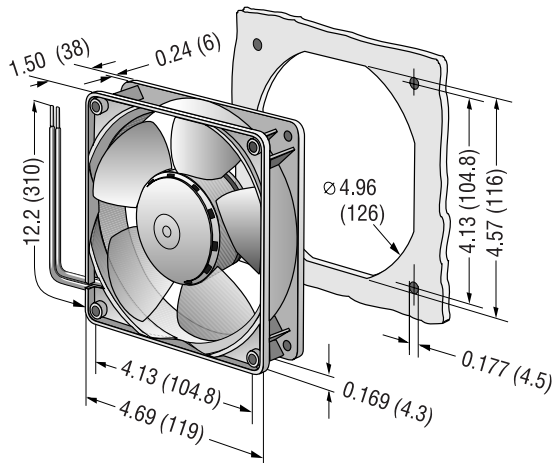
4200N Series cont. Tubeaxial

119x119x38mm



- DC fans with electronically commutated external rotor motor. Fully integrated commutation electronics.
- With electronic protection against reverse polarity, blocking and overloading; partially impedance protected.
- Mounting from either face using four 4.3 mm holes.
- Fan of fiberglass reinforced plastic. PBTP housing, PA impeller.
- Air exhaust over struts. Rotational direction CCW looking at rotor.
- Electrical connection via 2 leads AWG 22, TR 64. Stripped and tinned ends.
- UL, CSA, VDE approvals on some models, please contact application engineering.

Part Number	Curve	CFM @ 0	VDC	Volt. Range	Power (W)	dBA	Max Amb. Temp C	Bearing Type	Features	Wgt. (lbs)
4214NGM	3	84.8	24	12 to 28	3.1	38	70	Sintec	Leads	0.51
4214NM	3	84.8	24	12 to 28	2.6	38	70	Ball	Leads	0.51
4214NGN	4	97.1	24	12 to 28	4.3	42	70	Sintec	Terminals	0.51
4214NN	4	97.1	24	12 to 28	3.6	42	70	Ball	Leads	0.51
4214NH	5	105.9	24	12 to 28	4.8	45	70	Ball	Leads	0.51
4214NHH	6	120.7	24	12 to 28	7.5	49	70	Ball	Leads	0.51
<hr/>										
4218NGN	4	97.1	48	36 to 56	4.0	42	70	Sintec	Leads	0.51
4218NN	4	97.1	48	36 to 56	3.6	42	70	Ball	Leads	0.51
4218NH	5	105.9	48	36 to 56	4.8	45	70	Ball	Leads	0.51



Mouser Electronics

Authorized Distributor

Click to View Pricing, Inventory, Delivery & Lifecycle Information:

[ebm-papst:](#)

[4212NGN](#) [4214NHH](#) [4212NGL](#) [4212NGM](#) [4212NGML](#) [4212NH](#) [4212NHH](#) [4212NL](#) [4212NM](#) [4212NML](#) [4212NN](#)
[4214NGL](#) [4214NGM](#) [4214NGML](#) [4214NGN](#) [4214NH](#) [4214NL](#) [4214NM](#) [4214NML](#) [4214NN](#) [4218NGN](#) [4218NH](#)
[4218NN](#) [4292](#) [4212N/12H](#) [4218N/2H](#) [5264NN](#) [4298](#) [4296NH](#) [4214/17H-512](#) [4292H](#)