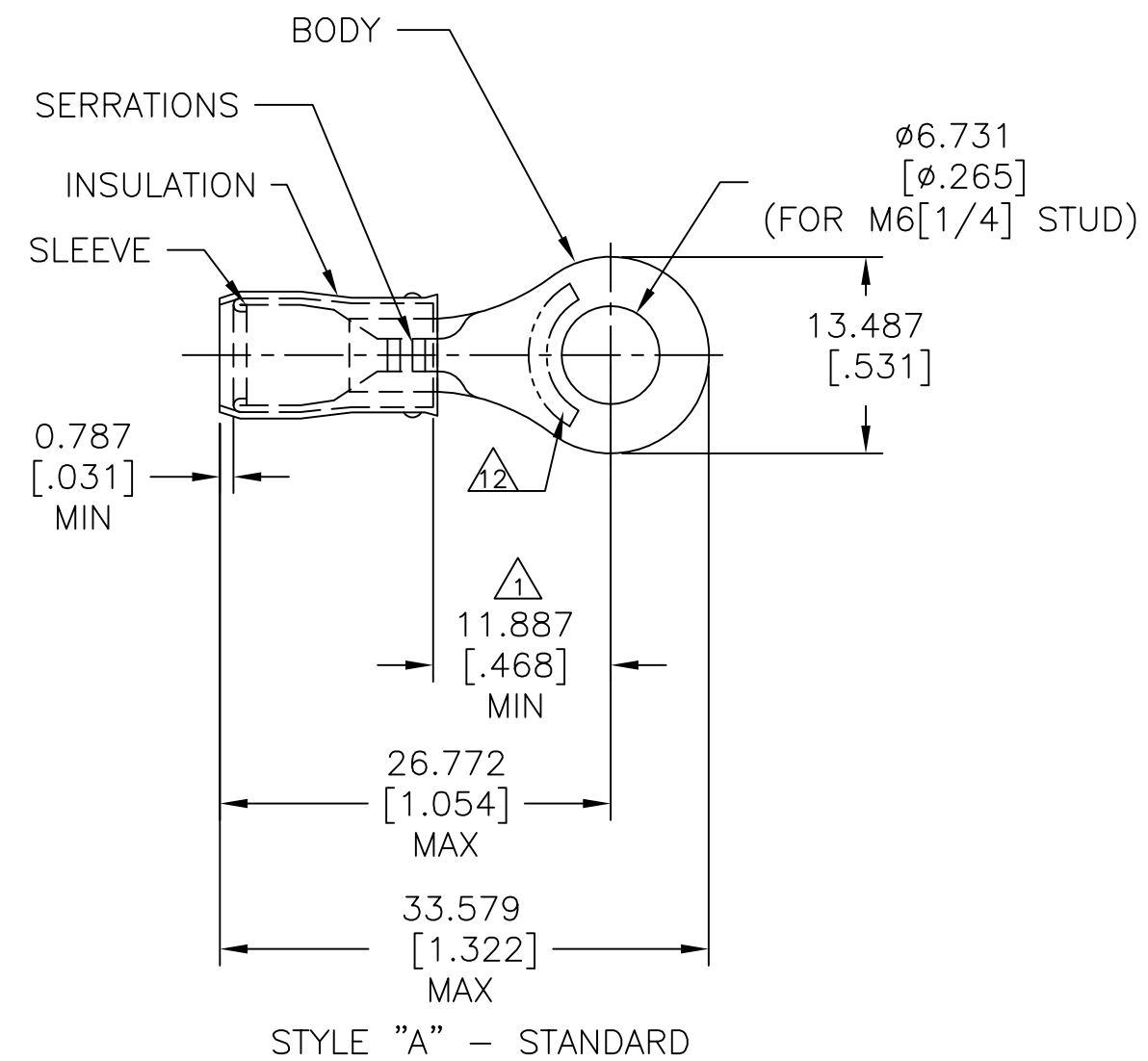


REVISIONS					
P	LTR	DESCRIPTION	DATE	DWN	APVD
	U	REVISED PER ECO-14-015277	21FEB2015	NK	DR
	U1	REVISED PER ECO-17-007400	19DEC2017	RS	DR

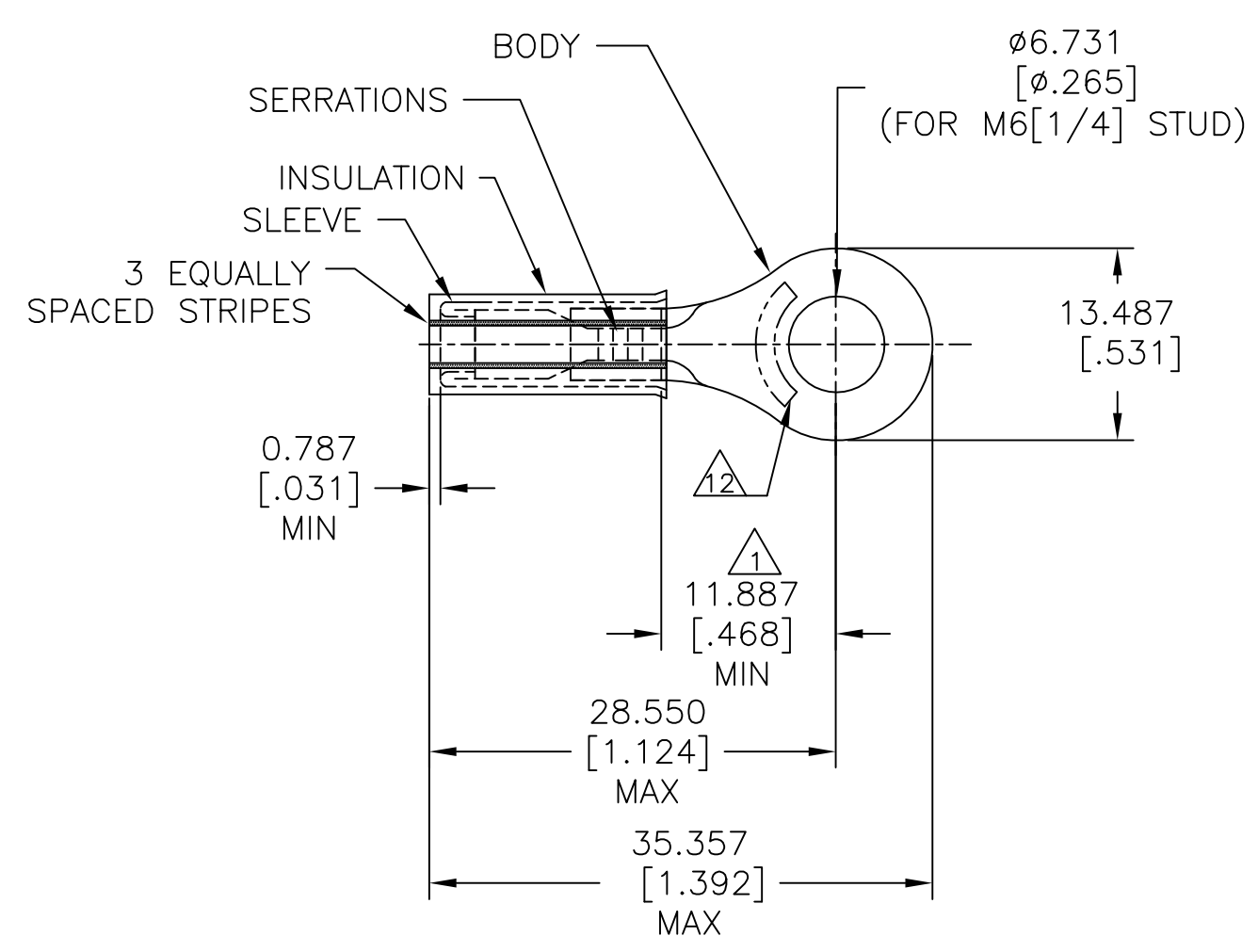


- 1 APPLIES FROM EDGE OF METAL WIRE BARREL TO CENTER OF STUD HOLE.
- 2 BODY MATERIAL THK 1.016±0.051 [.040±.002]
- 3 105°C[221°F] MAX OPERATING TEMPERATURE
- 4 300 VOLT MAX.
- 5 CIRCULAR MIN AREA: 2.62-6.64 mm<sup>2</sup> [5180-13100] SOLID OR STRANDED.
- 6 UL LISTED E13288 12-10 AWG SOLID OR STRANDED.
- 7 CSA CERTIFIED LR7189 12-10 AWG SOLID OR STRANDED.
- 8 MILITARY MS25036-157 CLASS 1.
- 9 MILITARY MS25036-157 CLASS 2.
- 10 MATERIAL:  
BODY & SLEEVE: COPPER PER ASTM B-152  
INSULATION: NYLON PER ASTM D-4066, TYPE 1.
- 11 FINISH:  
BODY & SLEEVE: TIN PLATE PER ASTM B-545  
INSULATION: COLOR-YELLOW.
- 12 STAMP AMP SEE TABLE, APPROX AS SHOWN.

2500	NONE	12-10	3.810-5.842 [.150-.230]	AMP 12-10*	"A"	ON TAPE	2-320569-3
500	NONE	12-10	3.810-5.842 [.150-.230]	AMP 12-10*	"A"	LOOSE PIECE	320569
QTY	COLOR STRIPE	WIRE SIZE	FOR WIRE INSULATION OD	STAMP	STYLE	PACKAGING	PART NO.

THIS DRAWING IS A CONTROLLED DOCUMENT.		DWN RAGHAVENDRA 08SEP2008	TE Connectivity	
		CHK T MICHIELUTTI 08SEP2008		
DIMENSIONS: mm [INCHES]		TOLERANCES UNLESS OTHERWISE SPECIFIED:		NAME TERMINAL RING TONGUE, NYLON, PIDG, WIRE SIZE: 12-10 AWG
		0 PLC ± - 1 PLC ± - 2 PLC ± - 3 PLC ± 0.127[.005] 4 PLC ± - ANGLES ± 0°30'		
MATERIAL		FINISH		PRODUCT SPEC UL 486 A-B
				APPLICATION SPEC 114-2157
				WEIGHT -
CUSTOMER DRAWING			SIZE A3	CAGE CODE 00779
			DRAWING NO C=320569	RESTRICTED TO -
			SCALE 2:1	SHEET 1 OF 2
			REV U1	

REVISIONS					
P	LTR	DESCRIPTION	DATE	DWN	APVD
-	-	SEE SHEET 1	-	-	-



STYLE "B" - INSULATION RESTRICTING

- 1 APPLIES FROM EDGE OF METAL WIRE BARREL TO CENTER OF STUD HOLE.
- 2 BODY MATERIAL THK 1.016±0.051 [.040±.002]
- 3 105°C[221°F] MAX OPERATING TEMPERATURE
- 4 300 VOLT MAX.
- 5 CIRCULAR MIN AREA: 2.62-6.64 mm<sup>2</sup> [5180-13100] SOLID OR STRANDED.
- 6 MILITARY M7928/1-59 CLASS 1.
- 7 MILITARY M7928/1-66 CLASS 1.
- 8 MILITARY M7928/1-59 CLASS 2.
- 9 MILITARY M7928/1-66 CLASS 2.
- 10 MATERIAL:  
BODY & SLEEVE: COPPER PER ASTM B-152  
INSULATION: NYLON PER ASTM D-4066, TYPE 1.
- 11 FINISH:  
BODY: TIN PLATE PER ASTM B-545  
SLEEVE: NICKEL PLATE PER QQ-N-290  
INSULATION: COLOR-YELLOW.
- 12 STAMP AMP SEE TABLE, APPROX AS SHOWN.

500	BROWN	10	3.023-5.080 [.119-.200]	AMP 10*	"B"	LOOSE PIECE	2-320569-6
500	YELLOW	12	2.413-5.080 [.095-.200]	AMP 12*	"B"	LOOSE PIECE	2-320569-5
QTY	COLOR STRIPE	WIRE SIZE	FOR WIRE INSULATION OD	STAMP	STYLE	PACKAGING	PART NO.

THIS DRAWING IS A CONTROLLED DOCUMENT.		DWN RAGHAVENDRA 08SEP2008	TE Connectivity	
		CHK T MICHIELUTTI 08SEP2008		
DIMENSIONS: mm [INCHES]		TOLERANCES UNLESS OTHERWISE SPECIFIED:		NAME TERMINAL RING TONGUE, NYLON, PIDG, IR, WIRE SIZE: 12 & 10 AWG
		0 PLC ± - 1 PLC ± - 2 PLC ± - 3 PLC ± 0.127[.005] 4 PLC ± - ANGLES ± 0°30'		
MATERIAL		FINISH		PRODUCT SPEC -
				APPLICATION SPEC 114-2157
		WEIGHT -		SIZE A3
		CUSTOMER DRAWING		CAGE CODE 00779
		SCALE 2:1		DRAWING NO C=320569
		SHEET 2 OF 2		RESTRICTED TO -
		REV U1		

# Mouser Electronics

Authorized Distributor

Click to View Pricing, Inventory, Delivery & Lifecycle Information:

[TE Connectivity:](#)

[2-320569-6](#)