

# RB2 SERIES ROCKER SWITCH

ANTI-VANDAL SWITCHES  
DETECTOR SWITCHES  
DIP SWITCHES  
KEYLOCK SWITCHES  
NAVIGATION SWITCHES  
PUSHBUTTON SWITCHES  
**ROCKER SWITCHES**  
ROTARY SWITCHES  
SLIDE SWITCHES  
SNAP ACTION SWITCHES  
TACTILE SWITCHES  
TOGGLE SWITCHES  
CAP OPTIONS



## APPLICATIONS / MARKETS



**RoHS**

## SPECIFICATIONS

### Electrical Rating:

Option C: 16A 125VAC T85 [cURus]  
7.5A 250VAC T85 [cURus]  
16(4)A 250V~ 1E4 T125/55 [ENEC]

### Option D (2 Position Functions):

20A 125VAC T105 [cURus]  
16A 250VAC T105 [cURus]  
3/4HP 125VAC T105 [cURus]  
3/4HP 250VAC T105 [cURus]  
20(8)A 250V~ 1E4 T125/55 [VDE, ENEC]  
10(2)A 250V~ 5E4 T85/55 [VDE, ENEC]  
16(4)A 250V~ 1E4 T85/55 [VDE, ENEC]

### Option E (3 Position Functions):

16A 125VAC T65 [cURus]  
16A 250VAC T65 [cURus]

**Operating Temperature:** -20°C to 65°C

**Electrical Life:** 10,000 Cycles

**Contact Resistance:** 35mΩ Max. at 50VAC

**Insulation Resistance:** 100MΩ Min. at 500VDC

**Dielectric Strength:** 1,500VAC for 1 min.

**Ingress Protection:** IP54 with optional silicone cap

## FEATURES & BENEFITS

- High Quality and Reliable Switch
- Industry Standard 22mm x 30mm Cutout
- Illumination Options
- Marking Options
- Multiple Terminal and Actuator Options
- Front Panel Mount Applications
- Optional Cap for Dust and Water Protection
- 2 Pole Maintained and Momentary Functions

## PART NUMBER CONFIGURATOR

Series	Terminal	Function	Rating	Body Color	Actuator Color	Marking Color	Marking Type	Lens Style	Lens Color	Lamp Voltage
RB2	1 - 4.8mm Tab 4 - 6.3mm Tab	2 - Off-On E - Off-(On) G - On-On H - On-(On) 6 - On-Off-On J - On-Off-(On) K - (On)-Off-(On)	C - 16A 125V D - 20A 125V E - 16A 125V	1 - Black 2 - White 3 - Almond 4 - Grey 9 - Red	0 - Full Illumination 1 - Black 2 - White 3 - Almond 4 - Grey 5 - Orange 7 - Blue 8 - Green 9 - Red	0 - None 1 - Black 2 - White 8 - Red	0 - None 1 - I/O Vertical 2 - ON-OFF-ON Vertical 3 - ON-OFF Vertical 4 - ON-OFF Horizontal 9 - I/O/II Horizontal R - I/O Horizontal S - I/O/II Vertical	None - Not Illuminated 1 - Full 2 - Round*	None - Not Illuminated 0 - Clear 1 - Red 2 - Amber 3 - Green 4 - Blue 5 - Yellow	None - Not Illuminated 4 - 12V 5 - 24V 6 - 125V 7 - 250V

**Notes:**  
 Custom Colors and Markings Available Upon Request  
 ( ) = Denotes Momentary Function  
 \* = Only Available with the "C" Rating

Specifications subject to change without notice 8.14.2018



**E-SWITCH®**

www.e-switch.com

800.867.2717

1

# RB2 SERIES ROCKER SWITCH

## BODY DIMENSIONS

FUNCTION	POS. 1	POS. 2	POS. 3
2	OFF	NONE	ON
E	OFF	NONE	(ON)
G	ON	NONE	ON
H	ON	NONE	(ON)
6	ON	OFF	ON
J	ON	OFF	(ON)
K	(ON)	OFF	(ON)
TERMINAL CLOSURE	2-3, 5-6	OPEN	2-1, 5-4

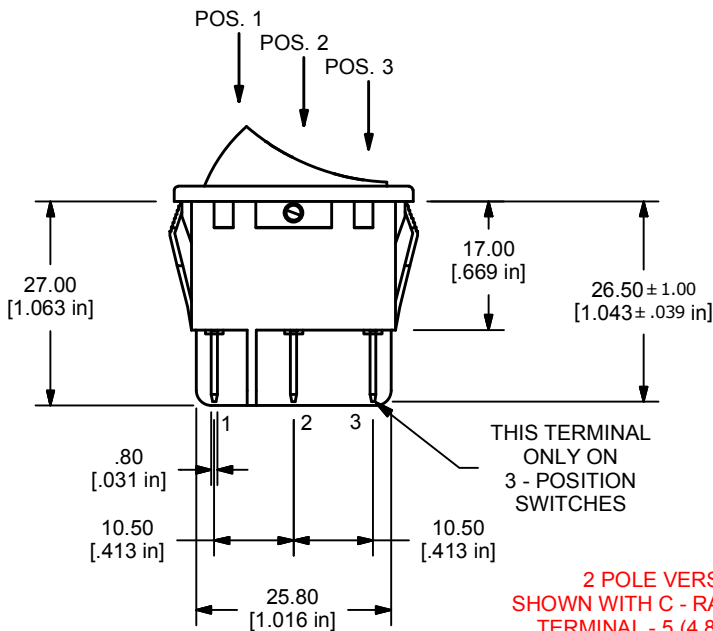
( ) = MOMENTARY



PANEL CUTOUT



SCHEMATIC OPTIONS



2 POLE VERSION  
SHOWN WITH C - RATED BODY  
TERMINAL - 5 (4.8mm TAB)



ANTI-VANDAL SWITCHES  
DETECTOR SWITCHES  
DIP SWITCHES  
KEYLOCK SWITCHES  
NAVIGATION SWITCHES  
PUSHBUTTON SWITCHES  
ROCKER SWITCHES  
ROTARY SWITCHES  
SLIDE SWITCHES  
SNAP ACTION SWITCHES  
TACTILE SWITCHES  
TOGGLE SWITCHES  
CAP OPTIONS

# RB2 SERIES ROCKER SWITCH

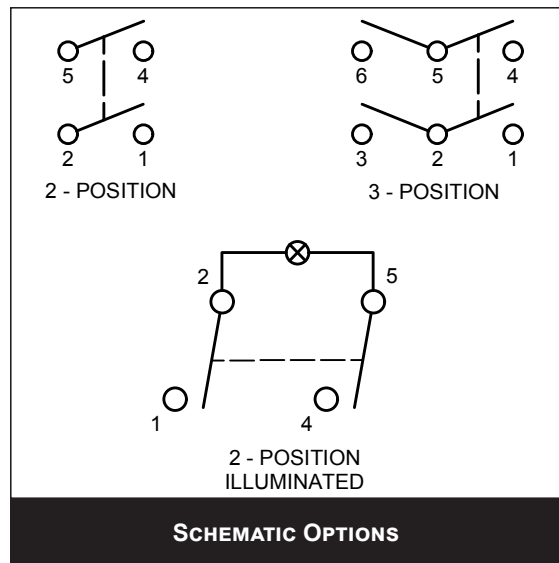
## BODY DIMENSIONS

FUNCTION	POS. 3	POS. 2	POS. 1
2	OFF	NONE	ON
E	OFF	NONE	(ON)
G	ON	NONE	ON
H	ON	NONE	(ON)
6	ON	OFF	ON
J	ON	OFF	(ON)
K	(ON)	OFF	(ON)
TERMINAL CLOSURE	2-1, 5-4	OPEN	2-3, 5-6

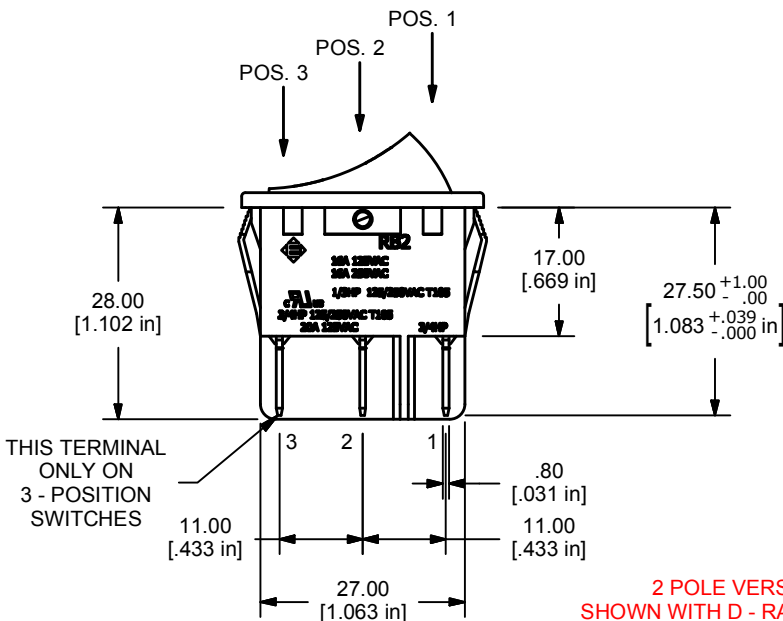
( ) = MOMENTARY



PANEL CUTOUT



SCHEMATIC OPTIONS



THIS TERMINAL ONLY ON 3 - POSITION SWITCHES

2 POLE VERSION  
SHOWN WITH D - RATED BODY  
TERMINAL - 4 (6.3mm TAB)

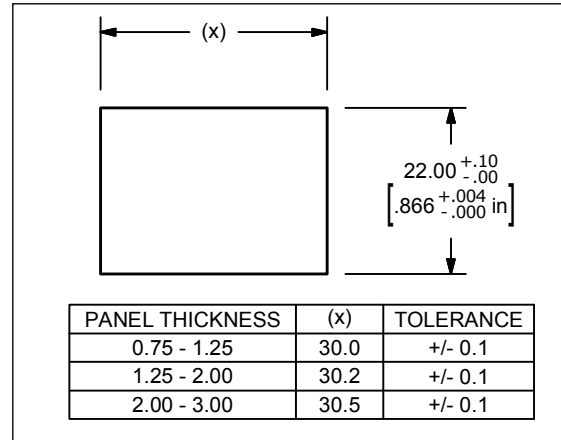


# RB2 SERIES ROCKER SWITCH

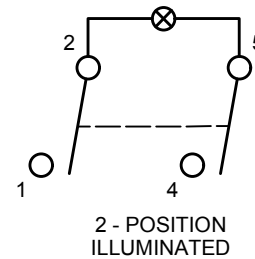
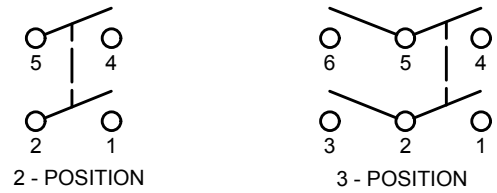
## BODY DIMENSIONS

FUNCTION	POS. 3	POS. 2	POS. 1
2	OFF	NONE	ON
E	OFF	NONE	(ON)
G	ON	NONE	ON
H	ON	NONE	(ON)
6	ON	OFF	ON
J	ON	OFF	(ON)
K	(ON)	OFF	(ON)
TERMINAL CLOSURE	2-1, 5-4	OPEN	2-3, 5-6

( ) = MOMENTARY



PANEL CUTOUT



SCHEMATIC OPTIONS



2 POLE VERSION  
SHOWN WITH E - RATED BODY  
TERMINAL - 4 (6.3mm TAB)



# RB2 SERIES ROCKER SWITCH

## BODY DIMENSIONS

FUNCTION	POS. 3	POS. 2	POS. 1
2	OFF	NONE	ON
E	OFF	NONE	(ON)
G	ON	NONE	ON
H	ON	NONE	(ON)
6	ON	OFF	ON
J	ON	OFF	(ON)
K	(ON)	OFF	(ON)
TERMINAL CLOSURE	2-1, 5-4	OPEN	2-3, 5-6

( ) = MOMENTARY



PANEL CUTOUT



SCHEMATIC OPTIONS



2 POLE VERSION  
SHOWN WITH E - RATED BODY  
TERMINAL - 4 (6.3mm TAB)  
ACC-F02-1 (SILICONE CAP)



# RB2 SERIES ROCKER SWITCH

## ILLUMINATION TYPE/ MARKING TYPE

### ILLUMINATION TYPE



### MARKING TYPE



0 - NONE



1 - I/O  
VERTICAL



2 - ON-OFF-ON  
VERTICAL



3 - ON-OFF  
VERTICAL



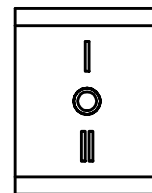
4 - ON-OFF  
HORIZONTAL



9 - I/O/II  
HORIZONTAL



R - I/O  
HORIZONTAL



S - I/O/II  
VERTICAL



# Mouser Electronics

Authorized Distributor

Click to View Pricing, Inventory, Delivery & Lifecycle Information:

## E-Switch:

[RB24GD1100](#) [RB246E1100](#) [RB242D1121](#) [RB242D1000-116](#) [RB24HD1100](#) [RB20001100](#) [RB24001000-114](#)  
[RB242C102R-137](#) [RB242D1011-127](#) [RB242D1024-117](#) [RB24GC1100](#) [RB24GC1200](#) [RB2F42C1021-127](#)  
[RB245C112S](#) [RB246C1100](#) [RB246C1129](#) [RB246C1219](#) [RB24KC1100](#) [RB2F42C1000-147](#) [RB2F42C1021-117](#)  
[RB2F42C1021-147](#) [RB2F42C102R-147](#) [RB241C1100](#) [RB241C1121](#) [RB241C1123](#) [RB242C1000-116](#) [RB242C1000-136](#) [RB242C1011-127](#) [RB242C101R-137](#) [RB242C1021-116](#) [RB242C1021-117](#) [RB242C1021-137](#) [RB242C1100](#)  
[RB242C1100-217](#) [RB242D1014-117](#) [RB242D1021-136](#) [RB242D1100](#) [RB243C1100](#) [RB242D1000-125](#)  
[RB212C1011-137](#) [RB2F42C1000117/ACC-F02-1](#) [RB24KE1100](#) [RB242D1128/ACC-F02-1](#) [RB242D142R](#)  
[RB212C1121](#) [RB242C1100-217/ACC-F02-1](#) [RB242D1011-116/ACC-F04-1](#) [RB24JE1100](#) [RB212C1000-127](#)  
[RB242D1800](#) [RB246E112S-ACCF02-1](#) [RB242C1121](#) [RB242D1000-136/ACC-F02-1](#) [RB24GD1100/ACC-F02-1](#)  
[RB242D1900](#) [RB242C1021-114](#) [RB212C1011-136](#) [RB24ED1100](#) [RB241D1121/ACC-F02-1](#) [RB245C112S-ACCF02-1](#)  
[RB242D1021-117/ACC-F02-1](#) [RB242C1100-216/ACC-F02-1](#) [RB242D1000-125-ACC-F02-1](#) [RB242D1021-137/ACC-F02-1](#) [RB242D1821](#) [RB242D1021-116](#) [RB242D1000-117](#) [RB242C1021-137ACCF021](#) [RB242D1021-146](#)  
[RB242D1000-136](#) [RB242C1100-237](#) [RB242C1921/ACC-F02-1](#) [RB242D1021-136/ACC-F02-1](#) [RB246E1100/ACC-F02-1](#) [RB242D1121/ACC-F02-1](#) [RB242D1000-116/ACC-F02-1](#) [RB242D1021-147](#) [RB242D1021-116/ACC-F02-1](#)  
[RB212C1000-126](#) [RB246C1100ACCF021](#) [RB2F42C1000-116ACCF021](#) [RB2F42C1000-107ACCF021](#)  
[RB24GC1100ACCF021](#)