

This document is the property of Amphenol Corporation and is delivered on the express condition that is not to be disclosed, reproduced or used, in whole or in part, for manufacture or sale by anyone other than Amphenol Corporation without its prior consent, and that no right is granted to disclose or to use any information in this document.

The marking on this product doesn't contain environmental hazardous materials per Material Specification 55-00259 for Sony GP compliant or per directive 2011/65/EU for RoHS compliant.

ORIGINAL

REVISIONS				
SYM	ECN No.	DESCRIPTION	DATE	APPROVED
A	NE-14181	RELEASE REVISION	10/15/2014	Arron Lin
B	NE-18027	ADD PIN DEFINE AND MODIFY D/C.	01/29/2018	Roger Tsai

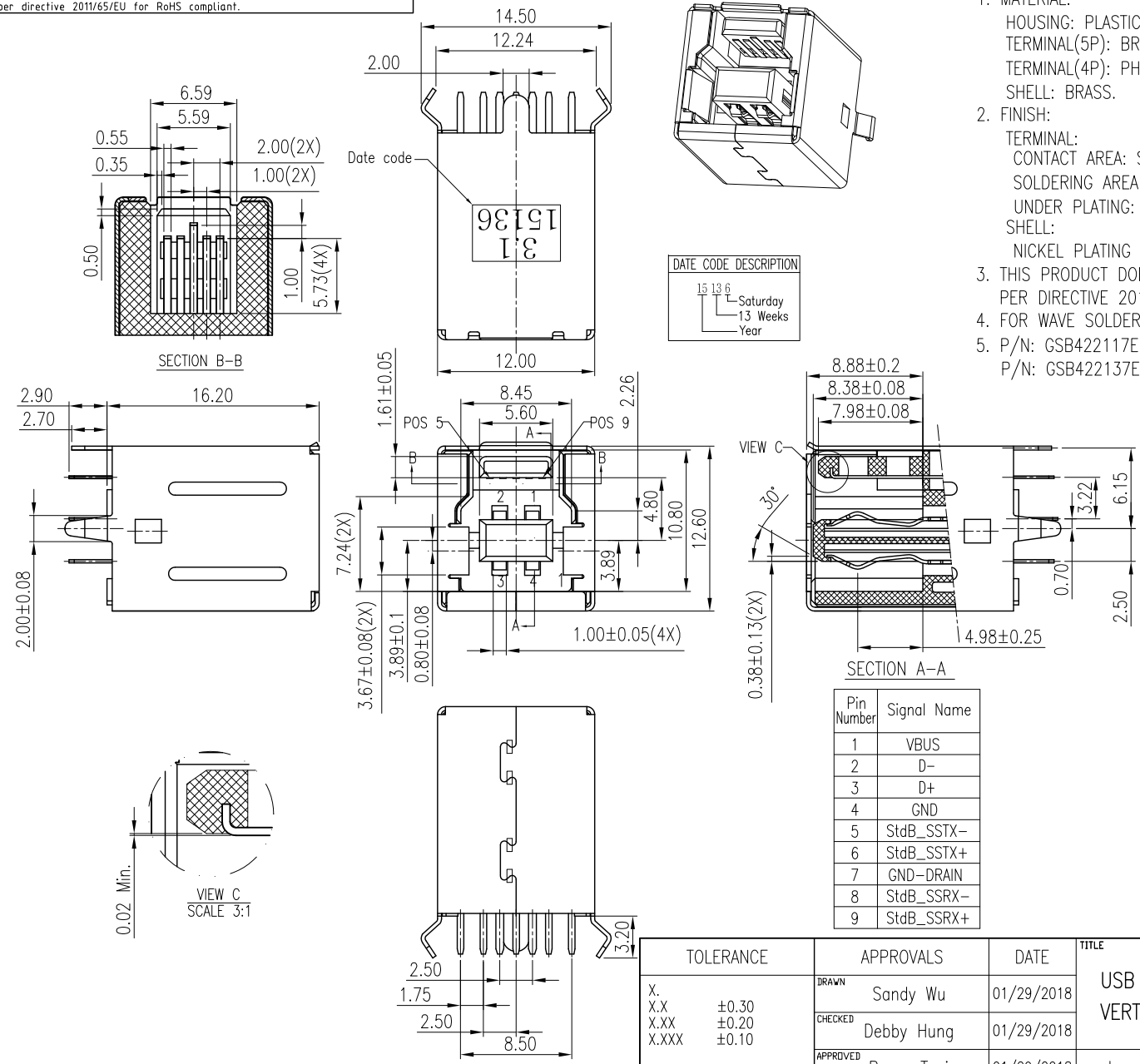
NOTES:

- MATERIAL:  
HOUSING: PLASTIC, PBT, UL94V-0, COLOR: BLUE(300C).  
TERMINAL(5P): BRASS.  
TERMINAL(4P): PHOSPHOR BRONZE.  
SHELL: BRASS.
- FINISH:  
TERMINAL:  
CONTACT AREA: SELECTIVE GOLD PLATING ;  
SOLDERING AREA: TIN PLATING 100 μ" THICKNESS MIN.;  
UNDER PLATING: NICKEL PLATING 50 μ" THICKNESS MIN. OVERALL.  
SHELL:  
NICKEL PLATING 50 μ" THICKNESS MIN. OVERALL.
- THIS PRODUCT DOESN'T CONTAIN ENVIRONMENTAL HAZARDOUS PER DIRECTIVE 2011/65/EU FOR RoHS COMPLIANT.
- FOR WAVE SOLDERING PROCESS ONLY. TEMPERATURE NOT OVER 245°C.
- P/N: GSB422117EU/ GSB422127EU PRODUCT SPECIFICATION REFER TO: PS-7539  
P/N: GSB422137EU/ GSB4221A7EU PRODUCT SPECIFICATION REFER TO: PS-7530



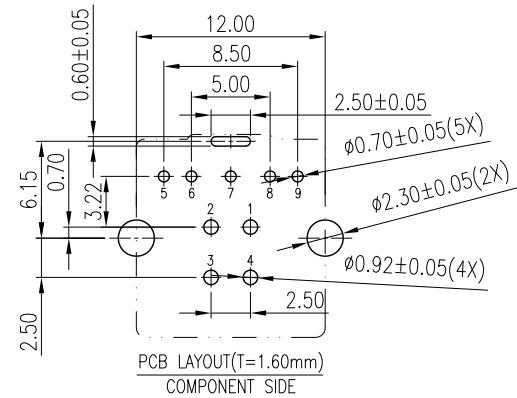
A  
B  
C  
D  
E  
F

A  
B  
C  
D  
E  
F



P/N : GSB4221 X 7EU

- Contact Finish
- 1: Flash gold
  - 2: 15u"gold
  - 3: 30u"gold
  - A: 30u" gold (soldering area G/F plating)



TOLERANCE		APPROVALS		DATE		TITLE		Amphenol®					
X.		DRAWN	Sandy Wu	01/29/2018		USB 3.1 B TYPE RECEPTACLE VERTICAL TYPE		Amphenol Corporation Amphenol Taiwan Corporation					
X.X	±0.30	CHECKED	Debby Hung	01/29/2018									
X.XX	±0.20	APPROVED	Roger Tsai	01/29/2018		UNIT	mm	SIZE	A3	PART No.	GSB4221X7EU		
X.XXX	±0.10	DWG TYPE	CUST DWG	PROJECT CODE	OTHER	SCALE	NA	SHEET	1 OF 2	DWG No.	GSB4221X7EU	REV.	B
ANGULAR	±1°												
UNLESS OTHERWISE SPECIFIED													

This document is the property of Amphenol Corporation and is delivered on the express condition that is not to be disclosed, reproduced or used, in whole or in part, for manufacture or sale by anyone other than Amphenol Corporation without its prior consent, and that no right is granted to disclose or to use any information in this document.

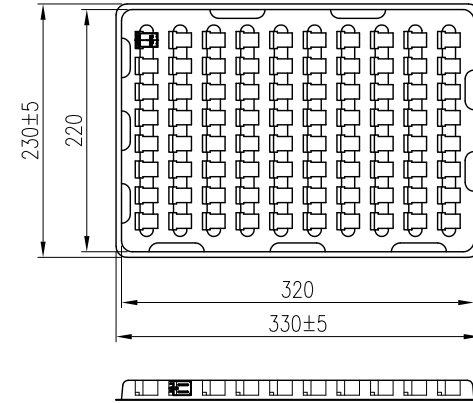
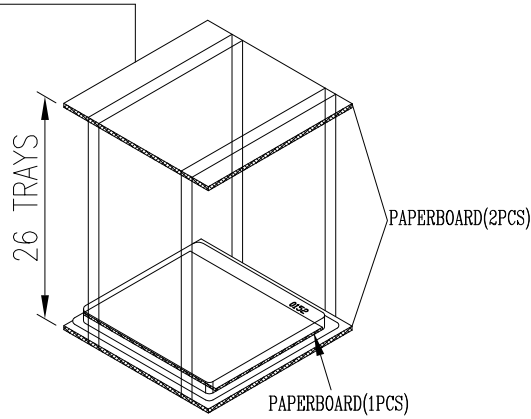
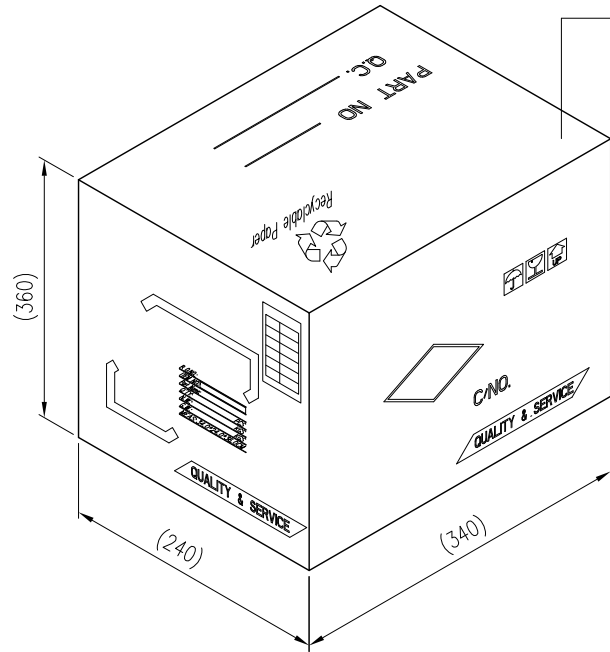
The marking on this product doesn't contain environmental hazardous materials per Material Specification 55-00259 for Sony GP compliant or per directive 2011/65/EU for RoHS compliant.



ORIGINAL



REVISIONS				
SYM	ECN No.	DESCRIPTION	DATE	APPROVED
A	NE-14181	RELEASE REVISION	10/15/2014	Arron Lin
B	NE-18027	ADD PIN DEFINE AND MODIFY D/C.	01/29/2018	Roger Tsai



80	26	2000	10.0	8.03	GSB4221X7EU
PCS/TRAY	TRAYS/BOX	QUANTITY (PCS)	G/W (Kg)	N/W (Kg)	PART NUMBER

TOLERANCE		APPROVALS		DATE		TITLE		Amphenol®						
X.		DRAWN	Sandy Wu		01/29/2018	USB 3.1 B TYPE RECEPTACLE VERTICAL TYPE		Amphenol Corporation Amphenol Taiwan Corporation						
X.X	±0.30	CHECKED	Debby Hung		01/29/2018									
X.XX	±0.20	APPROVED	Roger Tsai		01/29/2018									
X.XXX	±0.10						UNIT	mm	SIZE	A3	PART No.	GSB4221X7EU		
ANGULAR	±1°	DWG TYPE		PROJECT CODE			SCALE	NA	SHEET	2 OF 2		DWG No.	GSB4221X7EU	
UNLESS OTHERWISE SPECIFIED		CUST DWG		OTHER								REV.	B	