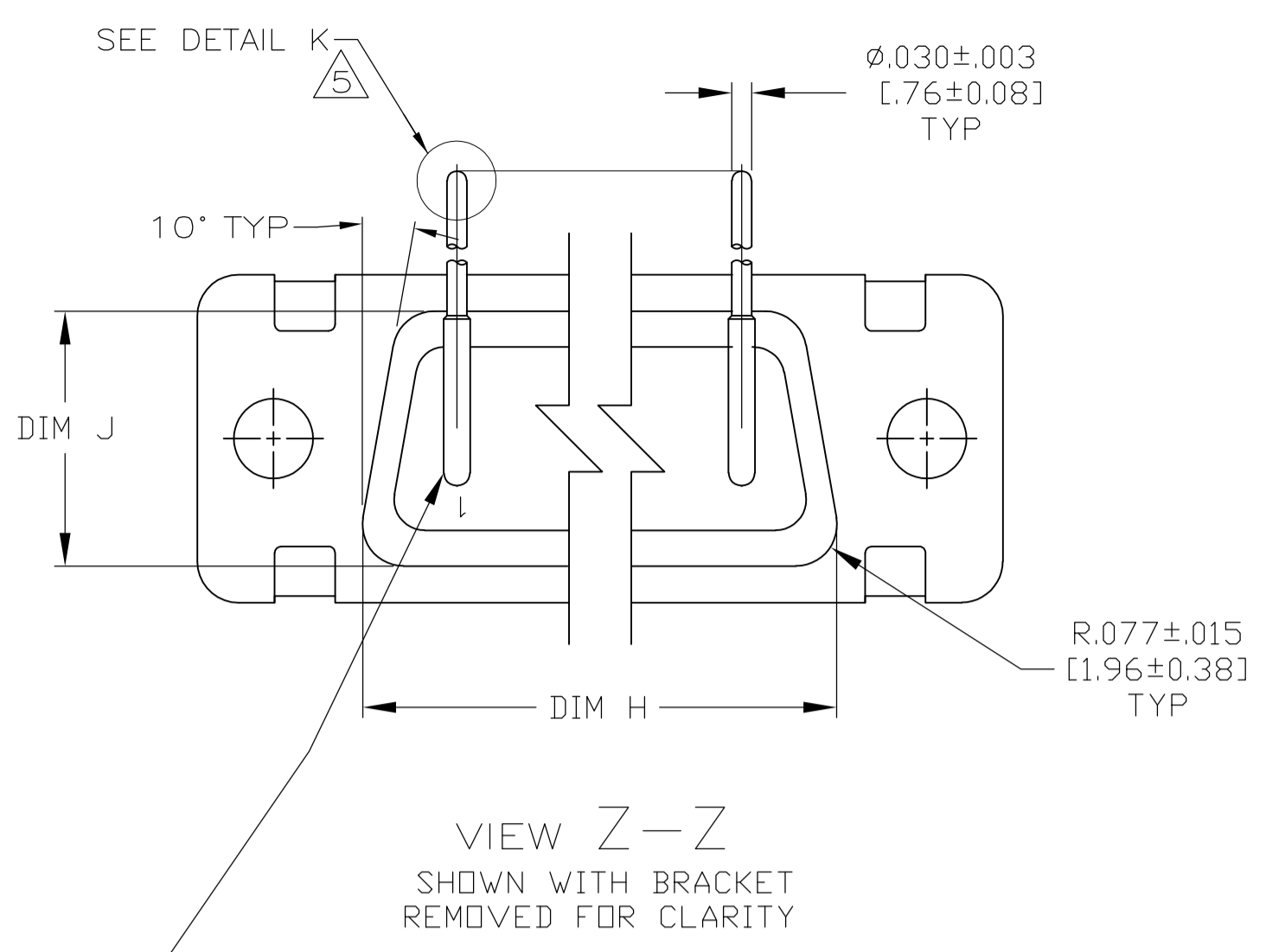
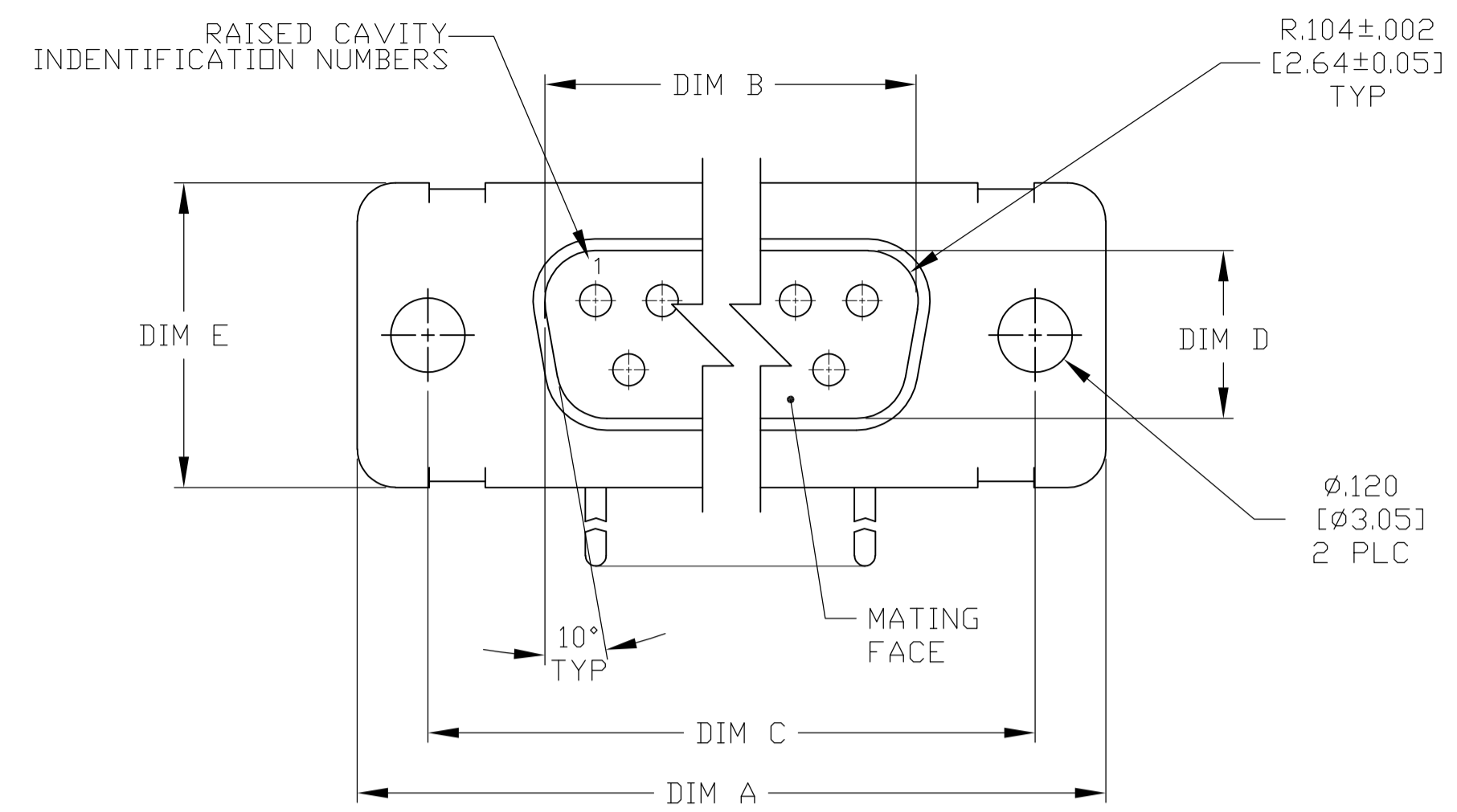
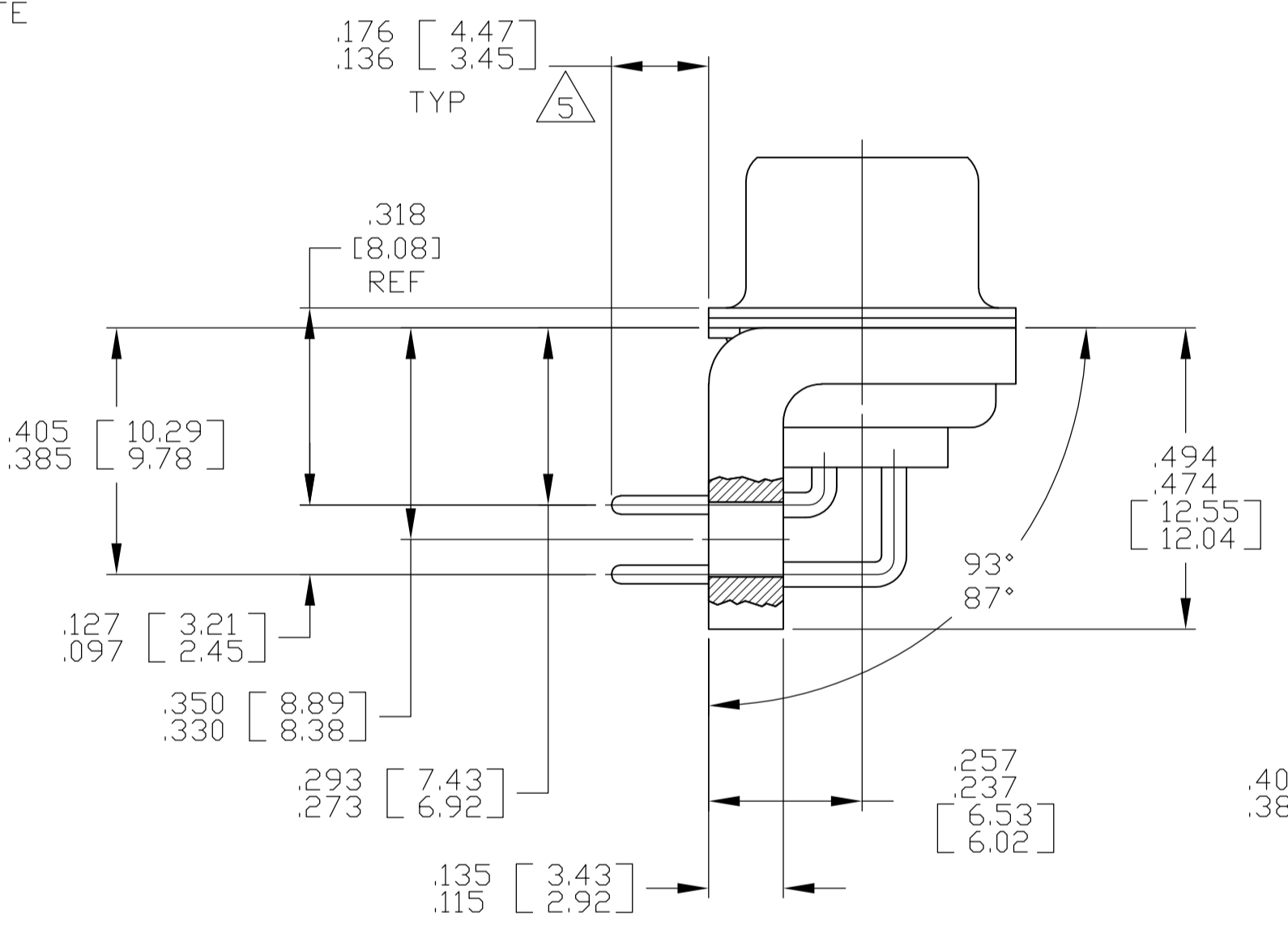
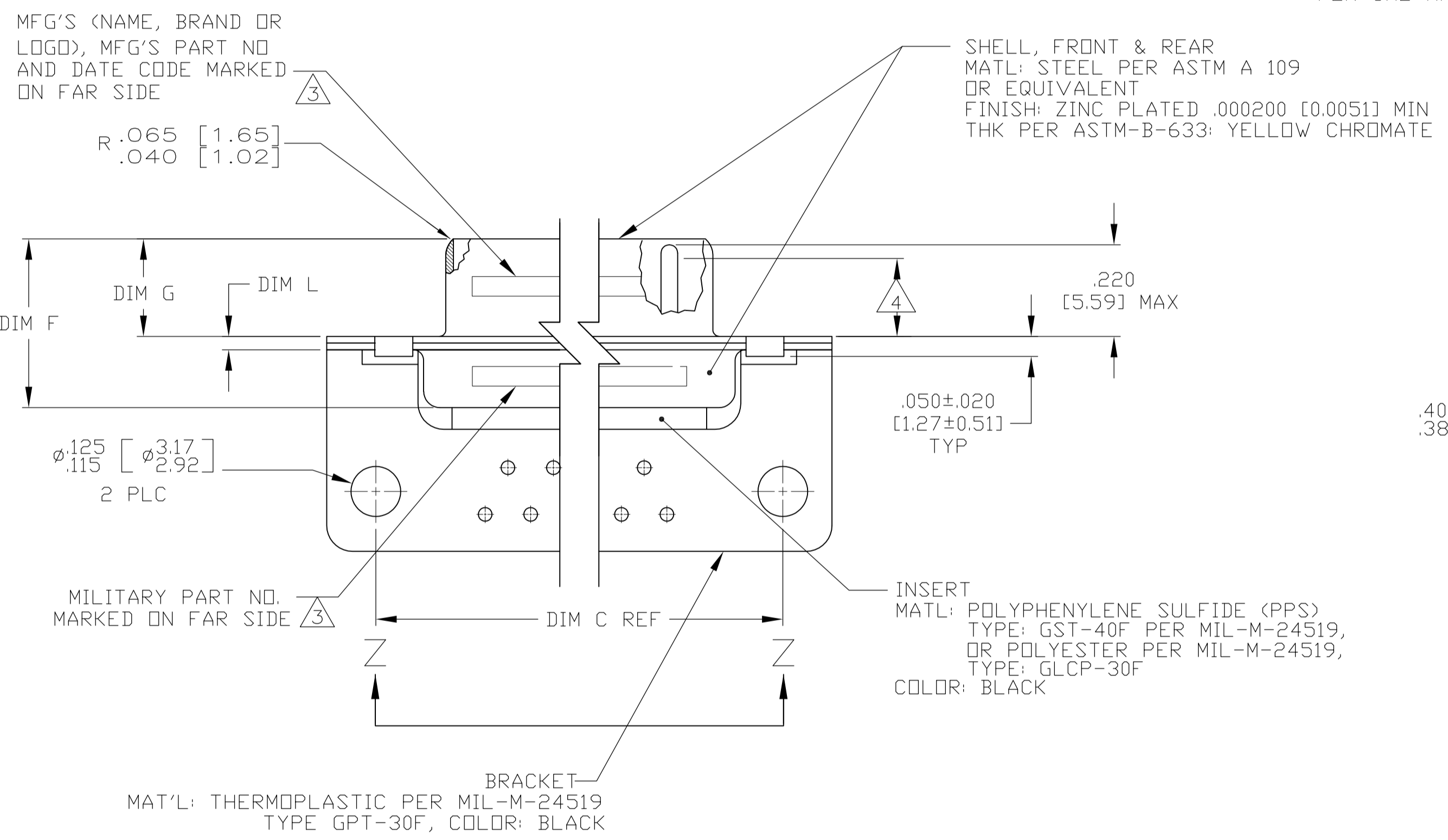


LOC	DIST	REV	DESCRIPTION	DATE	BY	APPV
DF	AO	B	REVISED PER ECO-13-002054	05FEB2013	MGM	CT

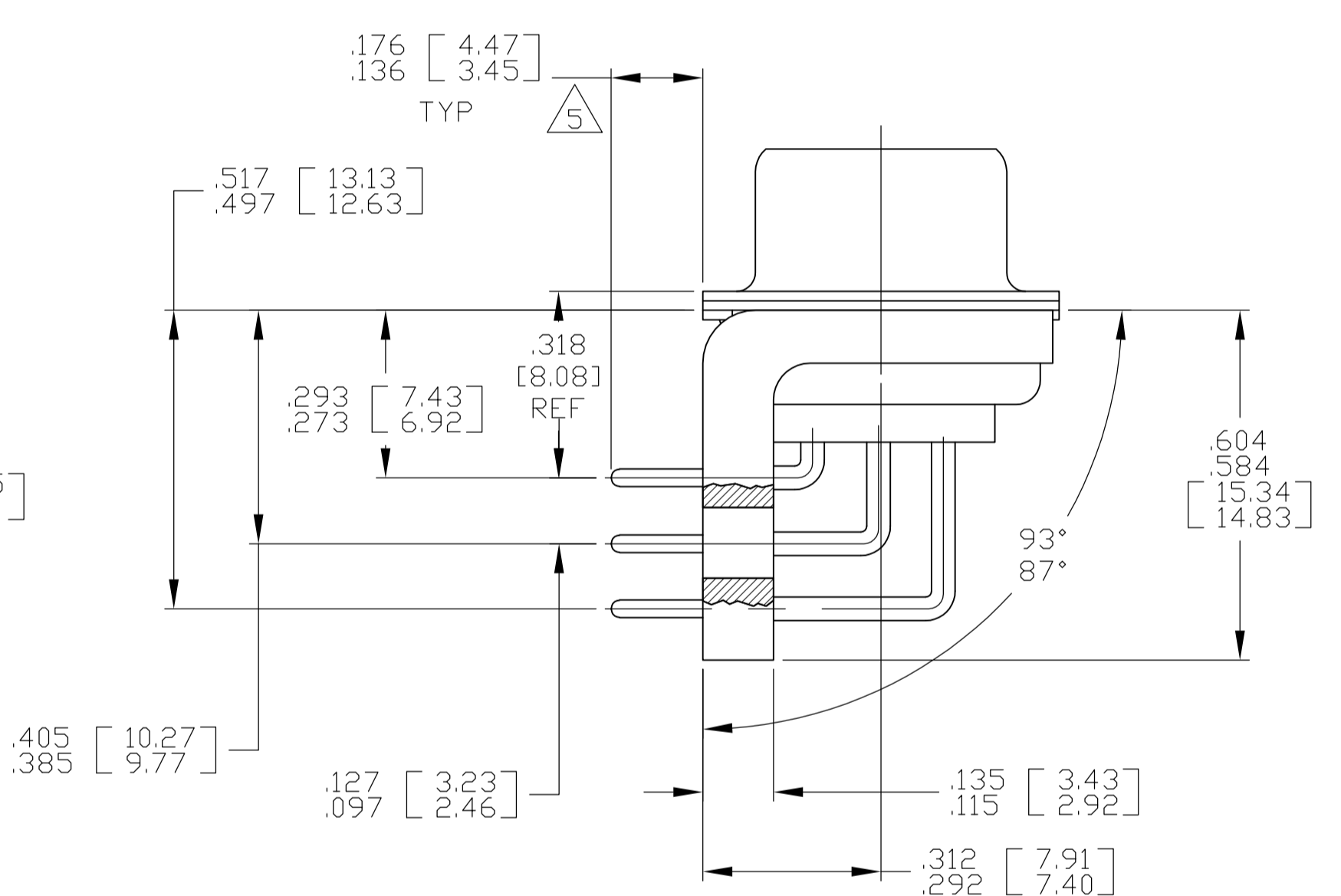


CONTACT (QTY = NO. OF POSN)
 MATL: BRASS PER ASTM-B-16, OR BERYLLIUM COPPER PER ASTM-B-194
 FINISH: GOLD PER ASTM-B-488, TYPE II, GRADE C, CLASS 1.27 IN CONTACT MATING AREA, .000010 [0.0003] MIN THK GOLD PER ASTM-B-488 OVER .000050 [0.0013] MIN THK NICKEL PER SAE-AMS-QQ-N-290 ON CONTACT BODY

- SEE SHEET 2 FOR RECOMMENDED P.C. BOARD LAYOUT. TRUE POSITION TOLERANCE FOR P.C. BOARD LAYOUT IS .010 [0.25] AT MAX MATERIAL CONDITION. SUGGESTED BOARD THICKNESS IS .062 [1.57]
- THE CONNECTORS DESCRIBED IN THIS DOCUMENT MEET THE REQUIREMENTS OF MIL-C-24308 AND MATE WITH ANY RECEPTACLE CONNECTOR WITH SAME INSERT ARRANGEMENT.
- MARKED WITH .047 [1.19]-.062 [1.57] HIGH CHARACTERS. FAR SIDE REFERS TO THE WIDE SIDE OF THE KEYSTONE. NEAR SIDE REFERS TO THE NARROW SIDE OF THE KEYSTONE. IF THE SHELL IS TOO SMALL FOR THE ENTIRE MARKING MARKING SHALL BE SPLIT AS FOLLOWS:
 A. "M24308" ON FRONT SHELL, FAR SIDE.
 B. SLASH SHEET AND DASH NUMBER ON REAR SHELL, FAR SIDE.
 C. "MFG'S" (NAME, BRAND OR LOGO) AND DATE CODE ON FRONT SHELL, NEAR SIDE.
 D. MFG'S PART NUMBER ON REAR SHELL, NEAR SIDE.
- REQUIREMENT FOR FULL PIN DIAMETER EXTENSION:
 .159 [4.04] MIN, SHELL SIZES 1 AND 2.
 .150 [3.81] MIN, SHELL SIZES 3 AND 4.
- SOLDER DIPPED PER J-STD-001 WITH Sn63 SOLDER PER J-STD-006 IN THE ENTIRE AREA OF DIMENSION SHOWN. (1757837-6 THRU -10 ONLY.)
- MEETS SOLDERABILITY PER MIL-STD-202 METHOD 208.



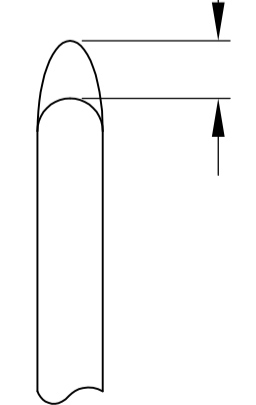
SHELL SIZES 1 THRU 4 CONTACT CONFIGURATION



SHELL SIZE 5 CONTACT CONFIGURATION

DIM L	DIM J	DIM H	DIM G	DIM F	DIM E	DIM D	DIM C	DIM B	DIM A
.049 [1.24]	.544 [13.82]	2.188 [55.58]	.236 [5.99]	.436 [11.07]	.620 [15.75]	.446 [11.33]	2.411 [61.24]	2.084 [52.55]	2.650 [67.31]
.029 [0.74]	.524 [13.31]	2.168 [55.07]	.224 [5.69]	.416 [10.57]	.590 [14.99]	.436 [11.07]	2.401 [60.99]	2.074 [52.30]	2.620 [66.55]
.049 [1.24]	.432 [10.97]	2.282 [57.96]	.236 [5.99]	.436 [11.07]	.509 [12.93]	.334 [8.48]	2.505 [63.63]	2.187 [54.97]	2.744 [69.70]
.029 [0.74]	.412 [10.46]	2.262 [57.45]	.224 [5.69]	.416 [10.57]	.479 [12.17]	.324 [8.23]	2.495 [63.37]	2.177 [54.71]	2.714 [68.94]
.049 [1.24]	.432 [10.97]	1.635 [41.53]	.236 [5.99]	.436 [11.07]	.509 [12.93]	.334 [8.48]	1.857 [47.17]	1.539 [38.51]	2.103 [53.42]
.029 [0.74]	.412 [10.46]	1.615 [41.02]	.224 [5.69]	.416 [10.57]	.479 [12.17]	.324 [8.23]	1.847 [46.91]	1.529 [38.25]	2.073 [52.65]
.040 [1.02]	.432 [10.97]	1.093 [27.76]	.238 [6.05]	.432 [10.97]	.509 [12.93]	.334 [8.48]	1.317 [33.45]	.999 [24.79]	1.556 [39.52]
.020 [0.51]	.412 [10.46]	1.073 [27.25]	.229 [5.82]	.412 [10.46]	.479 [12.17]	.324 [8.23]	1.307 [33.20]	.989 [24.54]	1.526 [38.76]
.040 [1.02]	.432 [10.97]	.769 [19.53]	.238 [6.05]	.432 [10.97]	.509 [12.93]	.334 [8.48]	.989 [25.12]	.671 [16.46]	1.228 [31.19]
.020 [0.51]	.412 [10.46]	.749 [19.02]	.229 [5.82]	.412 [10.46]	.479 [12.17]	.324 [8.23]	.979 [24.87]	.661 [16.21]	1.198 [30.43]
.049 [1.24]	.544 [13.82]	2.188 [55.58]	.236 [5.99]	.436 [11.07]	.620 [15.75]	.446 [11.33]	2.411 [61.24]	2.084 [52.55]	2.650 [67.31]
.029 [0.74]	.524 [13.31]	2.168 [55.07]	.224 [5.69]	.416 [10.57]	.590 [14.99]	.436 [11.07]	2.401 [60.99]	2.074 [52.30]	2.620 [66.55]
.049 [1.24]	.432 [10.97]	2.282 [57.96]	.236 [5.99]	.436 [11.07]	.509 [12.93]	.334 [8.48]	2.505 [63.63]	2.187 [54.97]	2.744 [69.70]
.029 [0.74]	.412 [10.46]	2.262 [57.45]	.224 [5.69]	.416 [10.57]	.479 [12.17]	.324 [8.23]	2.495 [63.37]	2.177 [54.71]	2.714 [68.94]
.049 [1.24]	.432 [10.97]	1.635 [41.53]	.236 [5.99]	.436 [11.07]	.509 [12.93]	.334 [8.48]	1.857 [47.17]	1.539 [38.51]	2.103 [53.42]
.029 [0.74]	.412 [10.46]	1.615 [41.02]	.224 [5.69]	.416 [10.57]	.479 [12.17]	.324 [8.23]	1.847 [46.91]	1.529 [38.25]	2.073 [52.65]
.040 [1.02]	.432 [10.97]	1.093 [27.76]	.238 [6.05]	.432 [10.97]	.509 [12.93]	.334 [8.48]	1.317 [33.45]	.999 [24.79]	1.556 [39.52]
.020 [0.51]	.412 [10.46]	1.073 [27.25]	.229 [5.82]	.412 [10.46]	.479 [12.17]	.324 [8.23]	1.307 [33.20]	.989 [24.54]	1.526 [38.76]
.040 [1.02]	.432 [10.97]	.769 [19.53]	.238 [6.05]	.432 [10.97]	.509 [12.93]	.334 [8.48]	.989 [25.12]	.671 [16.46]	1.228 [31.19]
.020 [0.51]	.412 [10.46]	.749 [19.02]	.229 [5.82]	.412 [10.46]	.479 [12.17]	.324 [8.23]	.979 [24.87]	.661 [16.21]	1.198 [30.43]

.030 [0.76] MAX EXTENSION PERMISSIBLE DUE TO SOLDER DIPPING



DETAIL K SCALE 10:1 FOR 1757837-6 THRU -10 ONLY

DIM L	DIM J	DIM H	DIM G	DIM F	DIM E	DIM D	DIM C	DIM B	DIM A	INSERT ARRANGEMENT	NO OF POS	SHELL SIZE	MILITARY P/N ON CONNECTOR	MFG'S P/N MARKED ON CONNECTOR	MFG'S PART NO.
.049	.544	2.188	.236	.436	.620	.446	2.411	2.084	2.650	MS18277-1	50	5	M24308/24-35Z	1757837-5	1-1757837-0
.029	.524	2.168	.224	.416	.590	.436	2.401	2.074	2.620	MS18276-1	37	4	M24308/24-34Z	1757837-4	1757837-9
.049	.432	2.282	.236	.436	.509	.334	2.505	2.187	2.744	MS18275-1	25	3	M24308/24-33Z	1757837-3	1757837-8
.029	.412	2.262	.224	.416	.479	.324	2.495	2.177	2.714	MS18274-1	15	2	M24308/24-32Z	1757837-2	1757837-7
.040	.432	1.093	.238	.432	.509	.334	1.317	.999	1.556	MS18273-1	9	1	M24308/24-31Z	1757837-1	1757837-6
.020	.412	1.073	.229	.412	.479	.324	1.307	.989	1.526	MS18272-1	9	1	M24308/24-30Z	1757837-0	1757837-5

THIS DRAWING IS A CONTROLLED DOCUMENT.

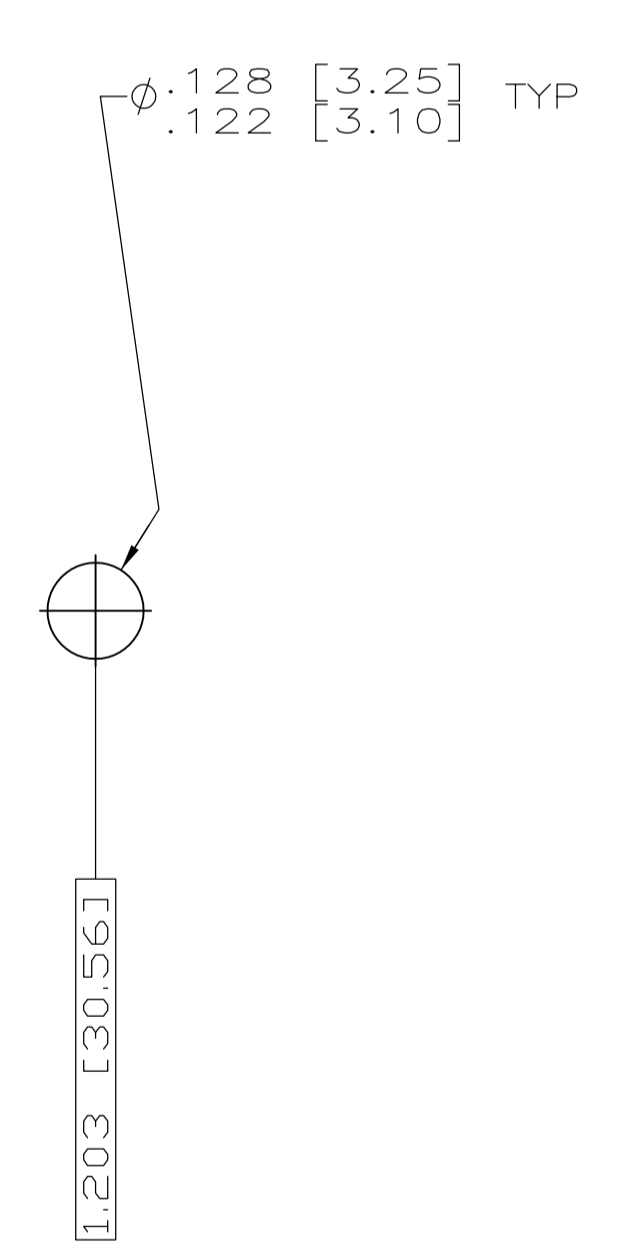
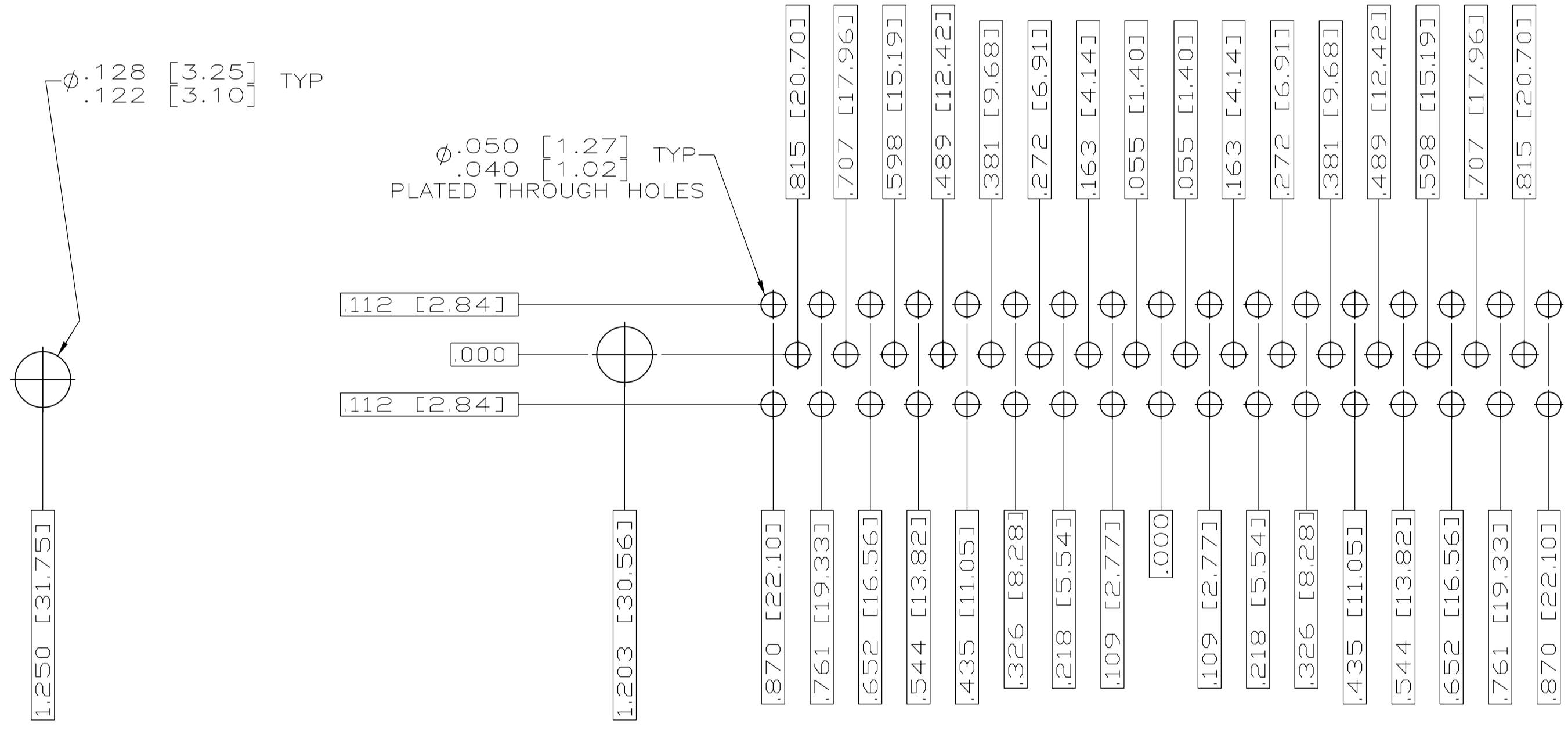
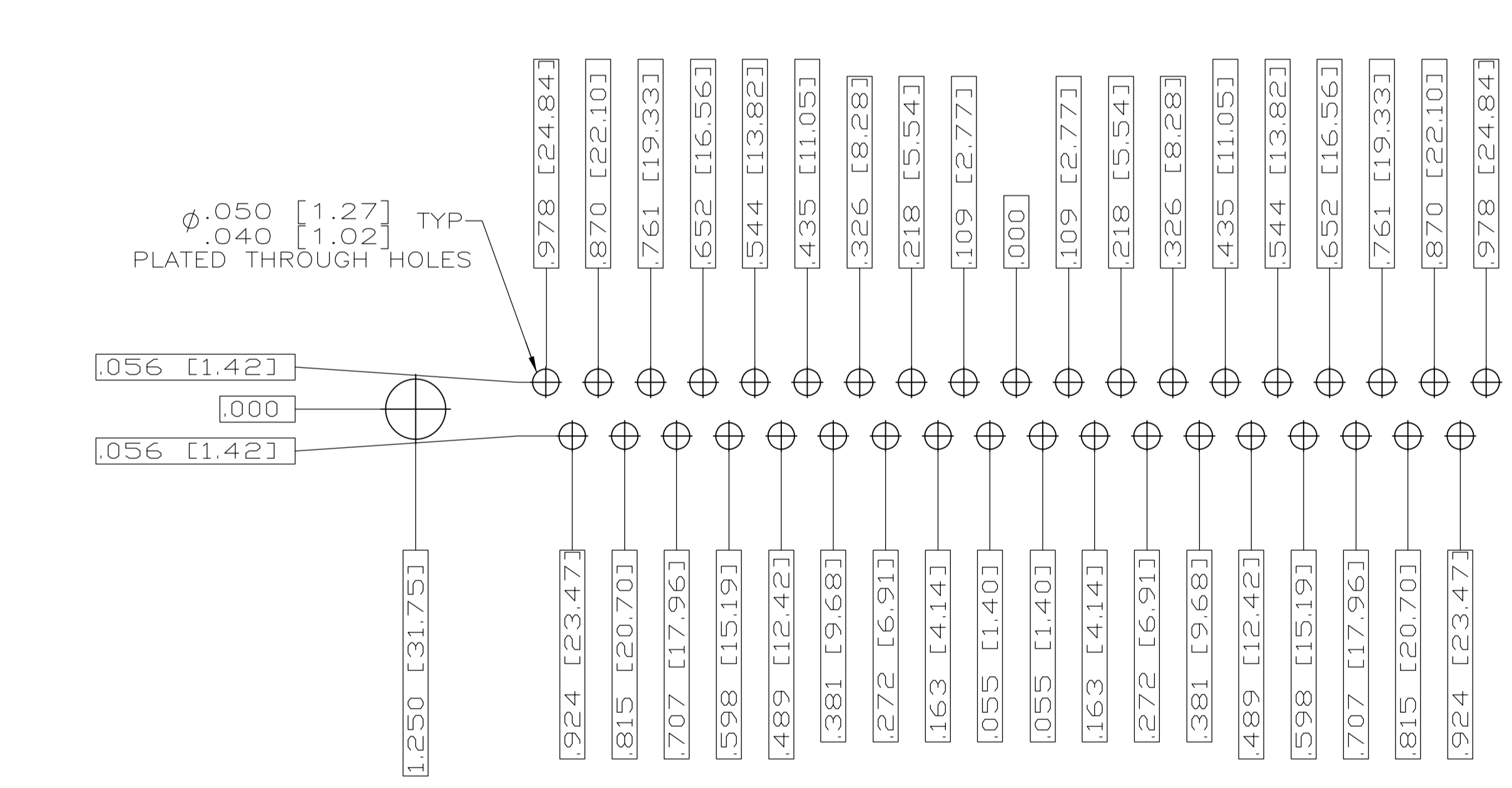
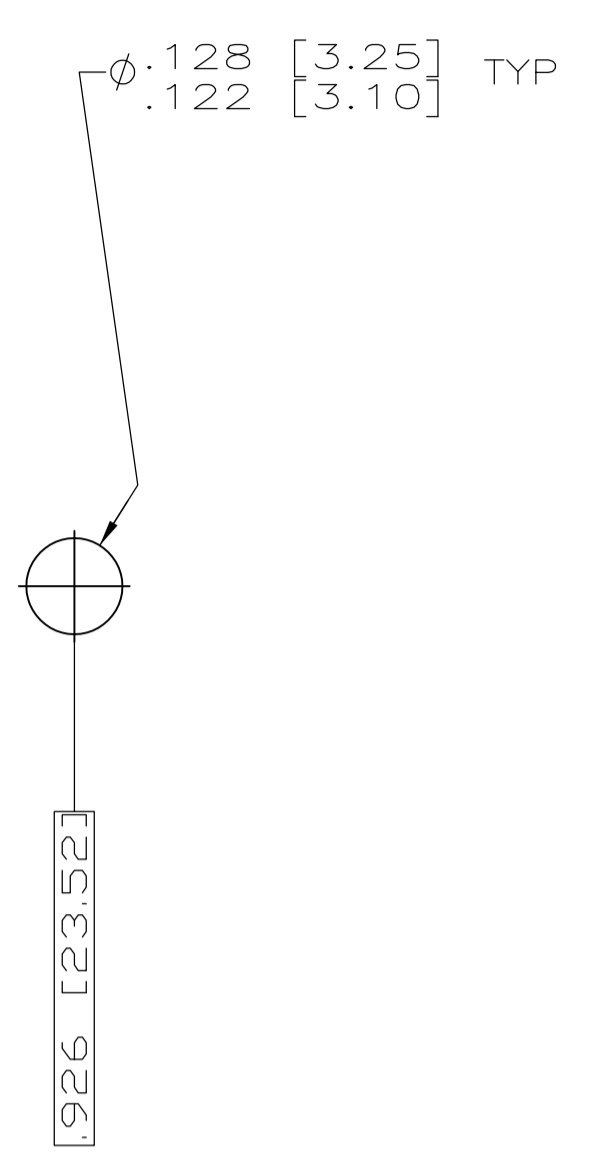
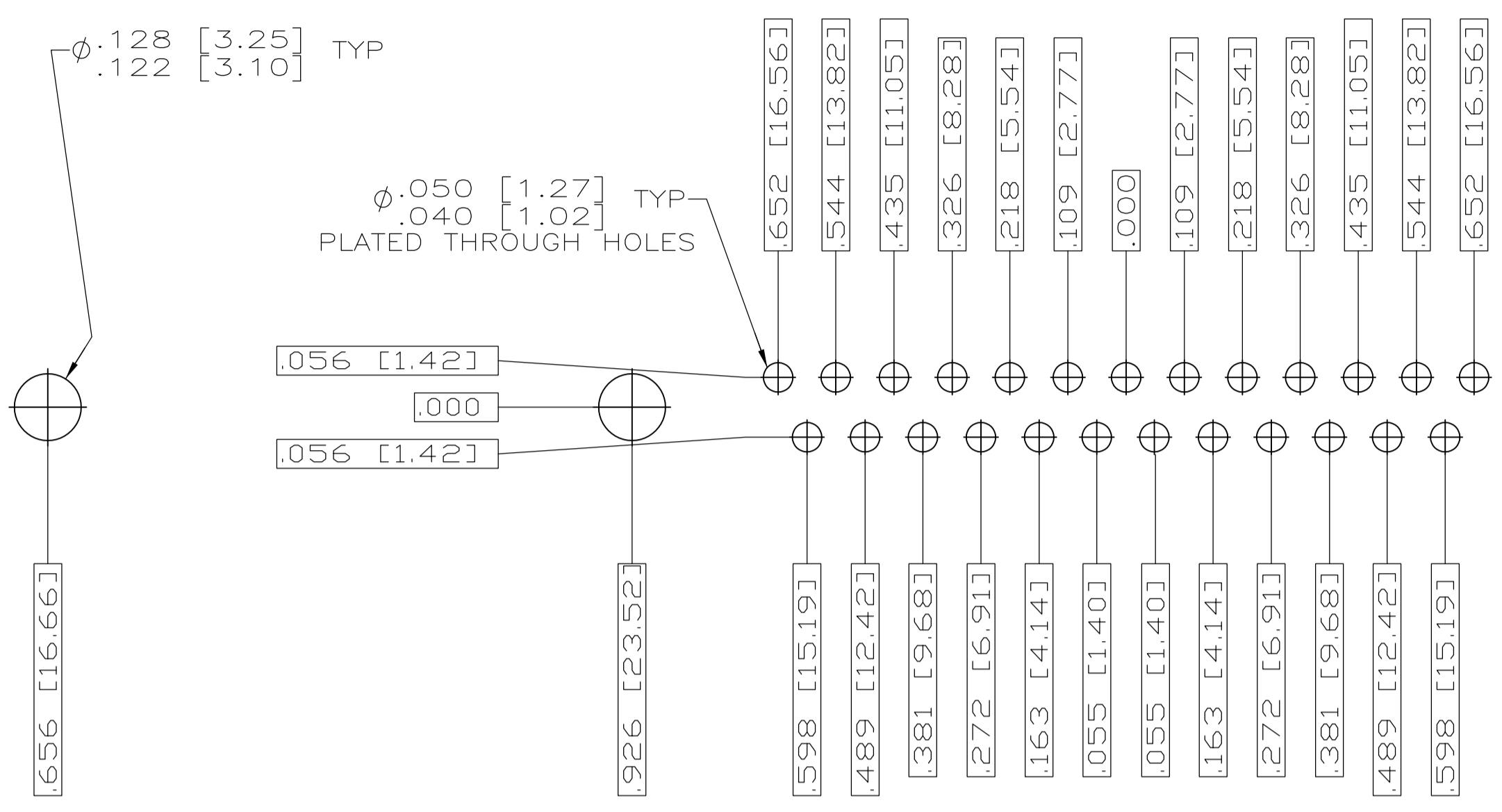
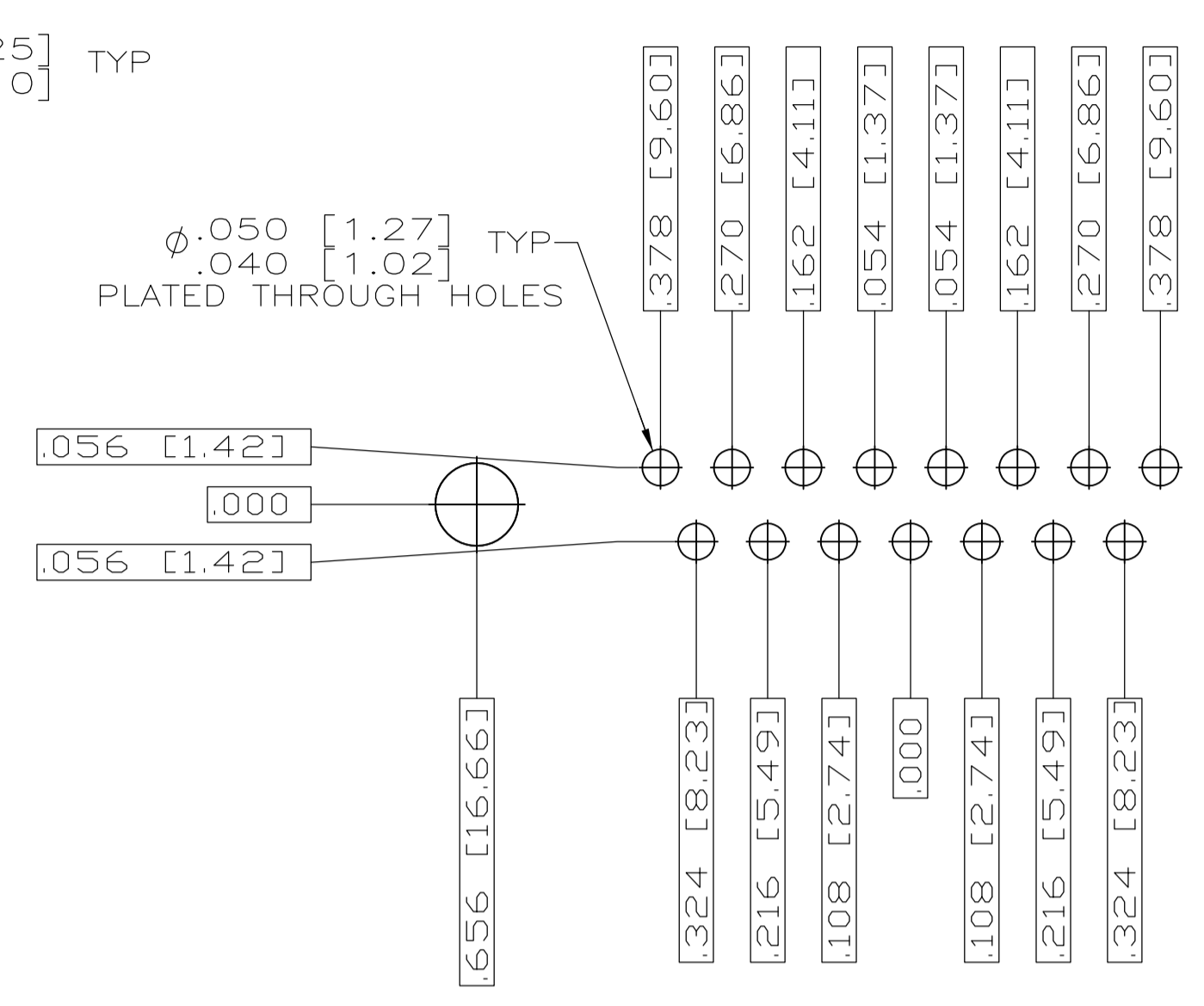
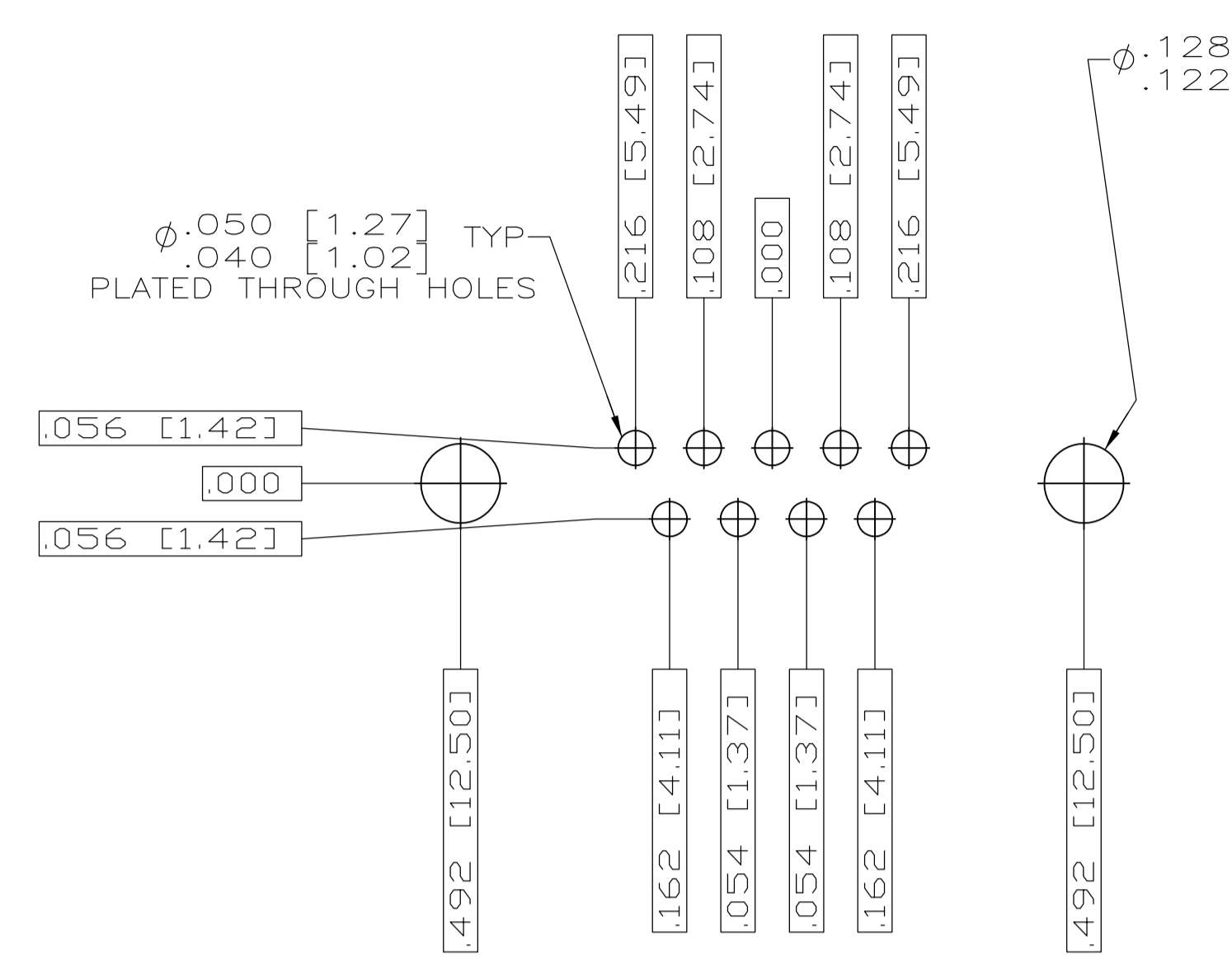
DTN: C.C. THOMAS 2-23-06
 CHK: D. MILLER 2-23-06
 APPV: D. MILLER 2-23-06

TE Connectivity

PLUG ASSEMBLY, AMP/LITE, RT ANGLE, SERIES 109, SIZE 1 THRU 5

SIZE: A1 CASE CODE: 00779 DRAWING NO: 1757837

SCALE: 4:1 SHEET: 1 OF 2 REV: B



THIS DRAWING IS A CONTROLLED DOCUMENT.		DIN	C.C.THOMAS	2-23-06	TE Connectivity
DIMENSIONS: INCHES		CHK	D.HOFFMAN	2-23-06	
TOLERANCES UNLESS OTHERWISE SPECIFIED:		APVD	D.MILLER	2-23-06	NAME
0 PL	±	-			PLUG ASSY,AMPLIMITE RIGHT ANGLE,SERIES 109,SIZE 1 THRU 5
1 PL	±	-			
2 PL	±	-			
3 PL	±	-			
4 PL	±	-			APPLICATION SPEC
ANGLES	± °	-			SIZE
MATERIAL	SEE CALLOUTS	FINISH	SEE CALLOUTS	WEIGHT	-
CUSTOMER DRAWING		SCALE	4:1	SHEET	2 OF 2
A1 00779		DRAWING NO	1757837	REV	B

Mouser Electronics

Authorized Distributor

Click to View Pricing, Inventory, Delivery & Lifecycle Information:

[TE Connectivity:](#)

[1757837-4](#)