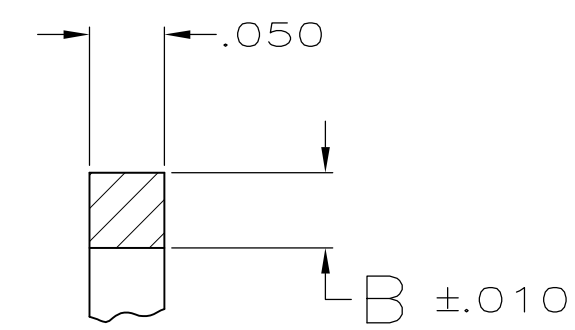
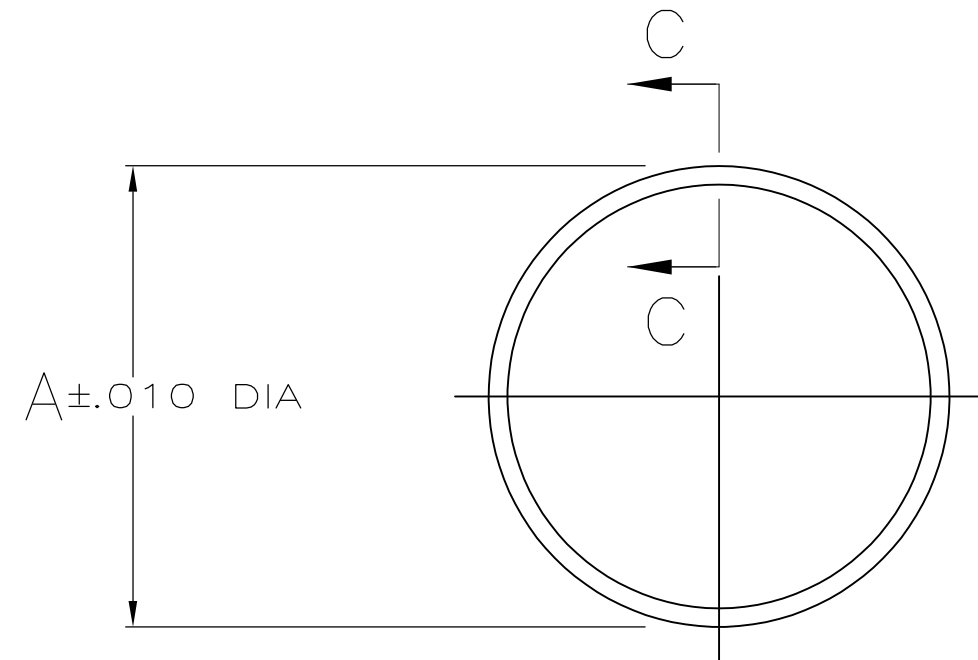



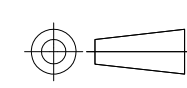
THIS DRAWING IS UNPUBLISHED. RELEASED FOR PUBLICATION  
 © COPYRIGHT - By - ALL RIGHTS RESERVED.

LOC	DIST	REVISIONS			
P	LTR	DESCRIPTION	DATE	DWN	APVD
FT	4	K1	REVISED PER ECO-11-004587	11MAR11	RK HMR



SECTION C-C  
SCALE 8:1

1.262	.050	32	206403-5
.650	.041	13	206403-4
1.230	.050	23	206403-3
.875	.050	17	206403-2
.514	.041	11	206403-1
A	B	SHELL SIZE	PART NUMBER

THIS DRAWING IS A CONTROLLED DOCUMENT.		DWN S.RIDGLEY BG 7/24/90	 TE Connectivity	
DIMENSIONS: INCHES		CHK J McCLINTON 2-13-91		
		APVD K BEAVER 2-14-91	NAME SEAL, PERIPHERAL, CPC	
TOLERANCES UNLESS OTHERWISE SPECIFIED:		PRODUCT SPEC	RESTRICTED TO	
0 PLC ± -		APPLICATION SPEC	SIZE	CAGE CODE
1 PLC ± -		WEIGHT	DRAWING NO	
2 PLC ± -		ELASTOMER, GRAY	A300779 C-206403	
3 PLC ± .005			CUSTOMER DRAWING	SCALE
4 PLC ± -		SCALE 2:1		SHEET 1 OF 1
ANGLES ± -		REV K1		
FINISH -				

# Mouser Electronics

Authorized Distributor

Click to View Pricing, Inventory, Delivery & Lifecycle Information:

[TE Connectivity:](#)

[206403-3](#)