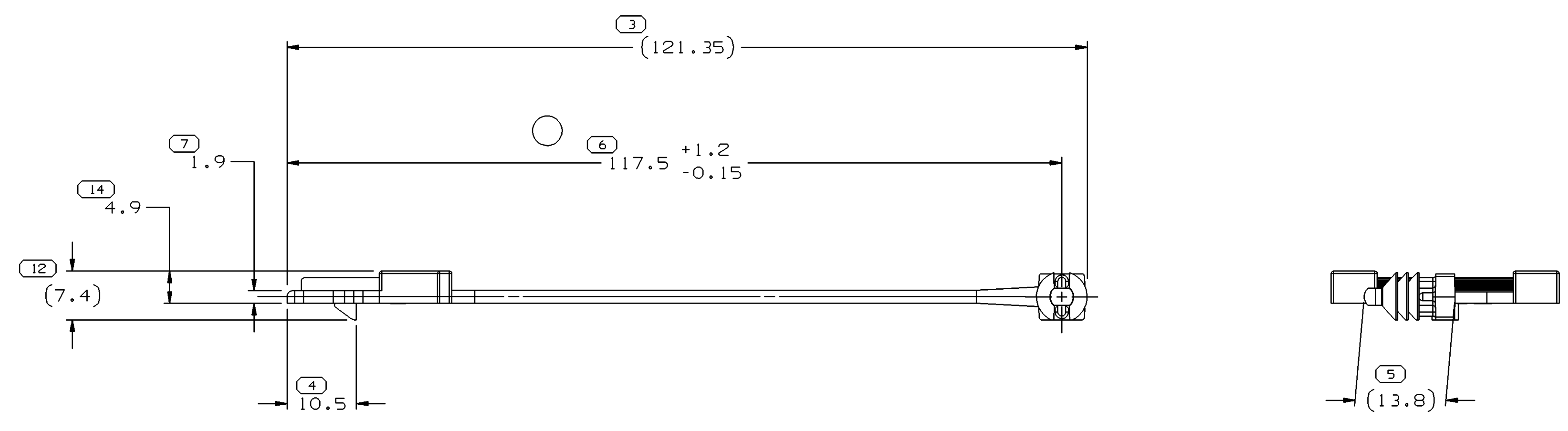
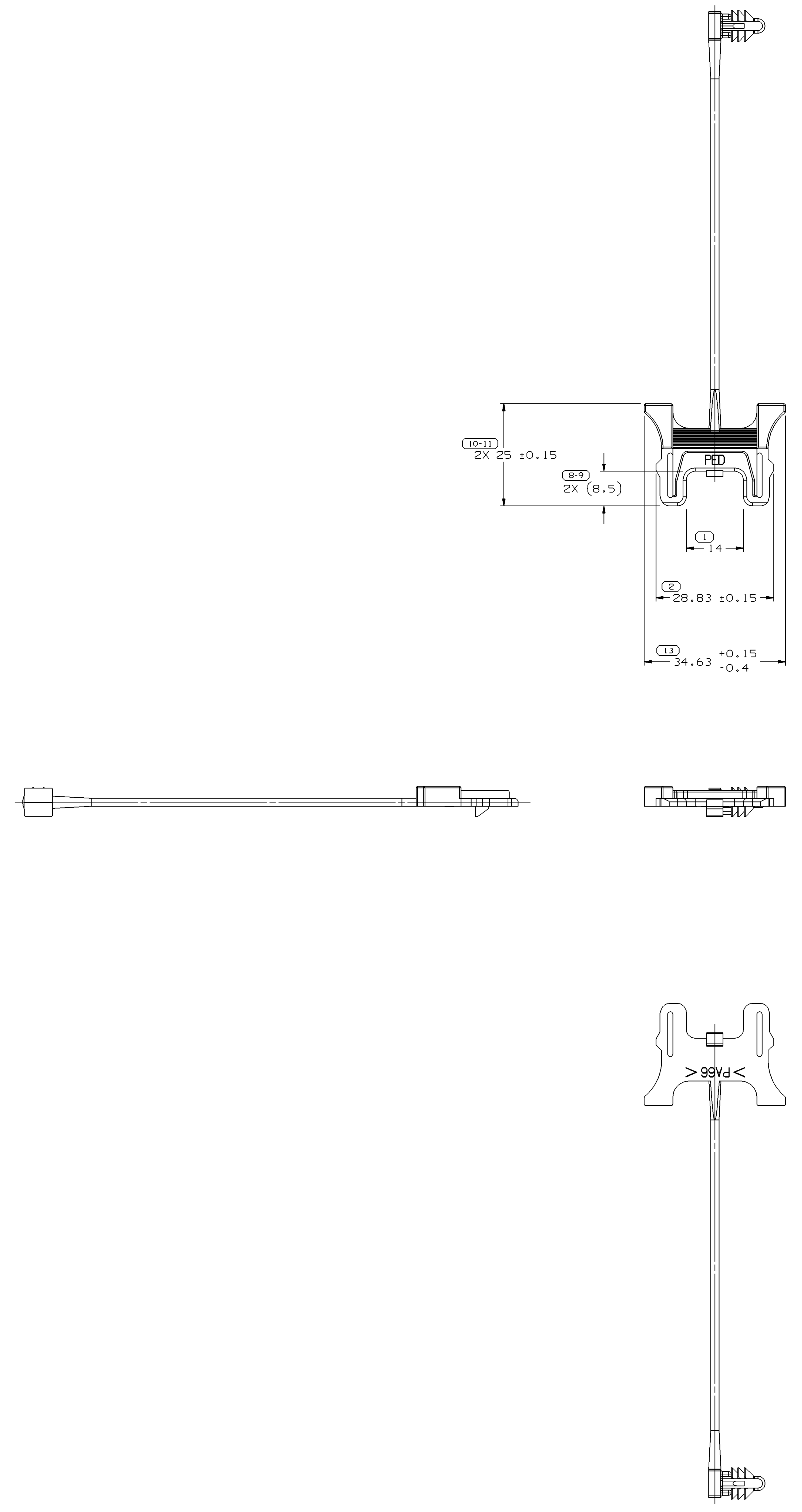


SYMBOL DEFINITION		MISSING NUMBERS	
A DIMENSION WITHOUT AN INSPECTION REPORT SYMBOL DOES NOT REQUIRE INSPECTION. IT MAY BE CONTROLLED ON AN INDIVIDUAL COMPONENT DRAWING.	TOTAL NO. OF SYMBOLS ON DRAWING	12	
	LAST NO. USED	14	

DWG STATUS				REVISION HISTORY				AUTH	DR	APVD	APVD
DATE	STG	REV	N/P	CHK	ZONE						
17MR05	R	C3	-	-							
							CLEARED REV COL. UPDATED MAT'L SPEC AND 117 +1.2/-0.15 WAS 117 +0.57/-0.15	266135	CCV	JAA	MB



- NOTES
- UNLESS OTHERWISE SPECIFIED AND/OR INDICATED:
DIMENSIONS ARE TO FACE OF VIEW SHOWN AND AUTOMATICALLY ROUNDED BY COMPUTER FOR INSPECTION (SEE MATH MODEL FOR PRECISE DIMENSIONS). FOR ALL OTHER DIMENSIONS NOT SHOWN BUT REQUIRED FOR TOOL BUILD, SEE MATH MODEL FOR PRECISE TOOL PATH DATA.
 - MATERIAL RECYCLING CODE PER ISO 11469. (2.3)X(0.1) CHARACTERS AS SHOWN TO BE LOCATED ON ANY EXTERIOR SURFACE.
 - (2.3)X(0.1) DELPHI CORPORATE BRAND TO BE LOCATED ON ANY EXTERIOR SURFACE, PREFERABLY VISIBLE AT FINAL ASSEMBLY. OPTIONAL CONSTRUCTION FOR EXISTING TOOLING MAY BE "PED".

DIMENSIONAL RANGE (MM)	CHART	ET
FROM > 0	> 20	> 30
TO > 20	> 30	> 70
	> 70	> 100
	> 100	> 150
	> 150	> 200
	> 200	> 250
	> 250	> 300
	> 300	> 400
TOLERANCE UNLESS OTHERWISE SPECIFIED		
10, 15	±0.2	±0.3
	±0.4	±0.5
	±0.6	±0.8
	±1	±1.2
ANGULAR TOLERANCE ±2°		

DWG TYPE		PART DRAWING	
STYLE		DISTR CODE	D
VOLUME (CP)	1,975		
UNLESS OTHERWISE SPECIFIED			
THIS DOCUMENT IS IN ACCORDANCE WITH ASME Y14.5M-1994 AS AMENDED BY THE 2003 DIMENSIONING AND TOLERANCING ADDENDUM (2003). SEPARATE PATTERNING OF FEATURES MAY BE GIVEN SEPARATELY REGARDLESS OF DATUM REFERENCES.			
ALL DIMENSIONS ARE IN MILLIMETERS			
REFERENCE			
THIRD ANGLE PROJECTION		DO NOT SCALE	
USE MATH DATA			

DELPHI
DELPHI PACKARD ELECTRIC SYSTEMS
WARREN, OH

DR	DATE
APVD1 OSCAR OCHOA	02MY96
APVD2 R. RAMOS S.	02MY96
APVD3 C. SCHAEFFER	13MY96
APVD4	
APVD5	

SUBSTANCES OF CONCERN AND RECYCLED CONTENT PER DELPHI 10949001

MATERIAL: M3592004 PA66 HS 1M RED

DRAWING NAME: LOCK CPA MIC/P 32 RED

DRAWING NUMBER: 12177289

SIZE: A0
SCALE: 2:1
FRAME NO: 1 OF 1
SHEET NO: 1 OF 1
STG: R
REV: C3

Mouser Electronics

Authorized Distributor

Click to View Pricing, Inventory, Delivery & Lifecycle Information:

[Aptiv:](#)

[12177289](#)