

80 mm sq.

San Ace 80



General Specifications

- Material Frame: Plastics (Flammability: UL94V-0),
Impeller: Plastics (Flammability: UL94V-1)
- Expected Life Refer to specifications (L10:Survival rate:90% at 60°C ,
rated voltage, and continuously run in a free air state)
- Lead Wire ⊕red ⊖black or blue (Sensor) yellow
- Storage Temperature -30°C to +70°C (Non-condensing)

80×80×32mm (Mass : 150g) **9P** type

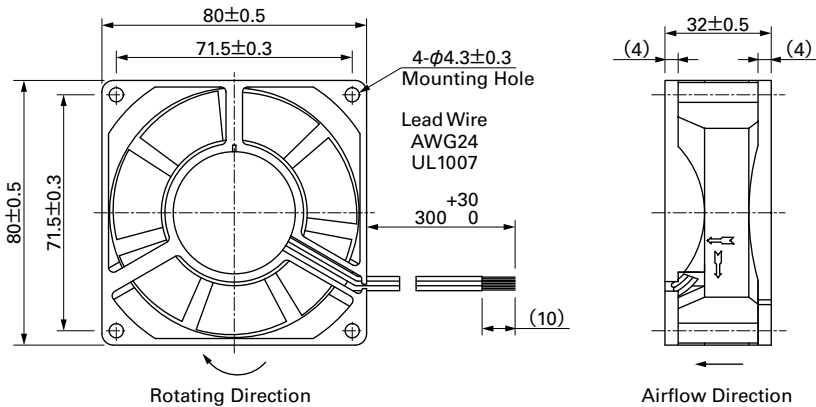
Specifications

The following nos. **have pulse sensors and ribs**. For ribless, append "1" to the model no.

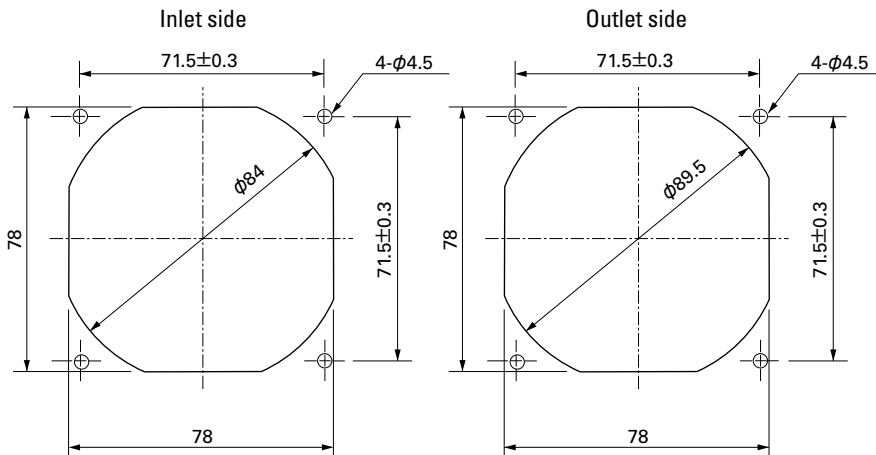
Model No.	Rated Voltage [V]	Operating Voltage Range [V]	Rated Current [A]	Rated Input [W]	Rated Speed [min ⁻¹]	Max. Airflow [m ³ /min] [CFM]	Max. Static Pressure [Pa] [inchH ₂ O]	SPL [dB(A)]	Operating Temperature [°C]	Expected Life [h]	
109P0812A201	12	6 to 13.2	0.56	6.72	4,600	1.52 53.7	91.1 0.366	45	-20 to +55	40,000(+55°C)	
109P0812H201		10.2 to 13.8	0.16	1.92	3,150	1.05 37.1	43.1 0.173	33		40,000/60°C	
109P0812M201			0.07	0.84	2,000	0.65 23.0	18.6 0.075	21		60,000/60°C	
109P0824A201	24	12 to 26.4	0.29	6.96	4,600	1.52 53.7	91.1 0.366	45	-20 to +60	40,000/60°C	
109P0824H201		20.4 to 27.6	0.09	2.16	3,150	1.05 37.1	43.1 0.173	33		-20 to +70	60,000/60°C
109P0824M201			0.04	0.96	2,000	0.65 23.0	18.6 0.075	21			60,000/60°C
109P0848H201	48	43 to 53	0.06	2.88	3,350	1.10 38.9	50.9 0.204	35	-20 to +70	40,000/60°C	

Other sensor specifications are available as options. Please refer to the index (pp. 497 to 498).

Dimensions (unit: mm) (With ribs)



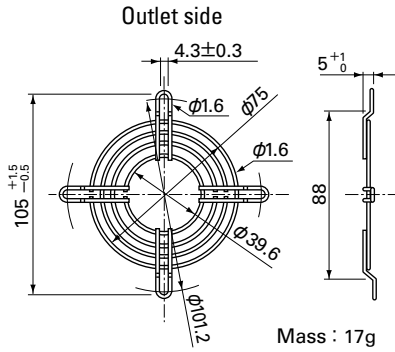
Reference Dimensions of Mounting Holes and Vent Opening (unit: mm)



Options (unit: mm)

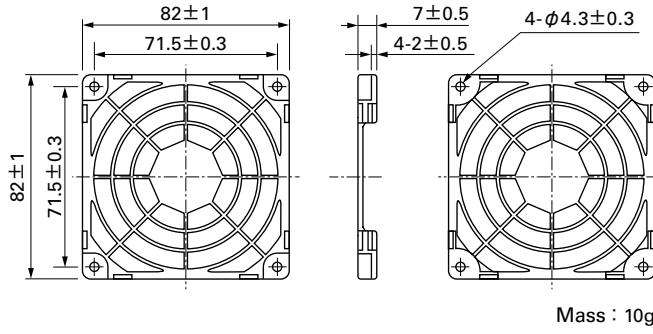
Finger Guards

Model : 109-049C Surface treatment : Nickel-chrome plating (silver) Color : 109-049H Surface treatment : Nickel-chrome plating (silver) : Cation electropainting (black)



Resin Finger Guards

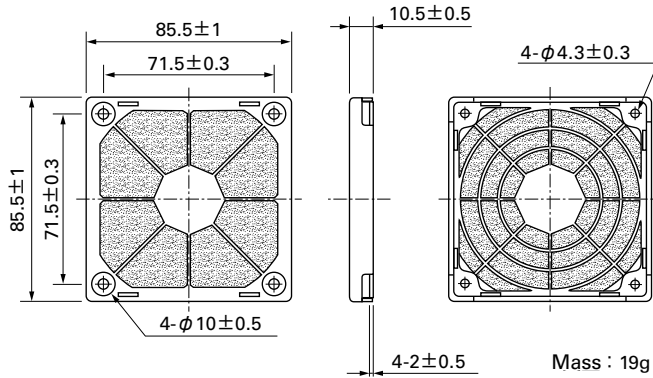
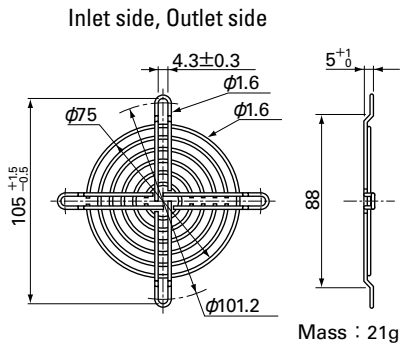
Model : 109-1002G



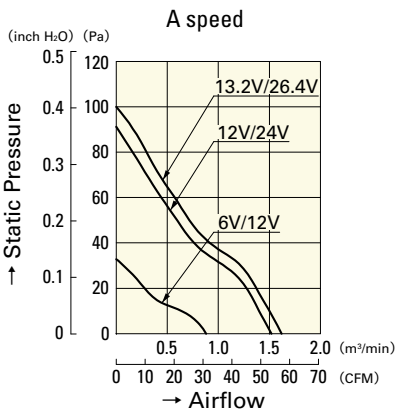
Model : 109-049E Surface treatment : Nickel-chrome plating (silver) : 109-049H Surface treatment : Nickel-chrome plating (silver) : Cation electropainting (black)

Resin Filter Kits

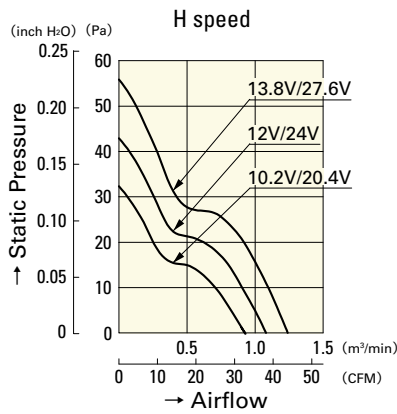
Model : 109-1002F13 (13PPI), 109-1002F20 (20PPI) : 109-1002F30 (30PPI), 109-1002F40 (40PPI)



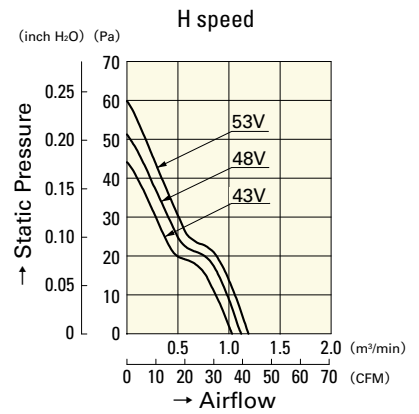
Airflow - Static Pressure Characteristics



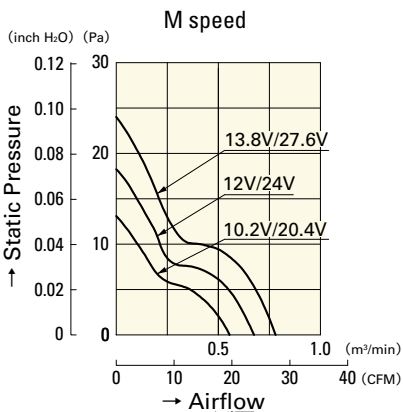
109P0812A201
109P0824A201



109P0812H201
109P0824H201



109P0848H201



109P0812M201
109P0824M201

Mouser Electronics

Authorized Distributor

Click to View Pricing, Inventory, Delivery & Lifecycle Information:

Sanyo Denki:

[109P0812A201](#) [109P0812A2011](#) [109P0812H201](#) [109P0812H2011](#) [109P0812M201](#) [109P0812M2011](#)
[109P0824A201](#) [109P0824A2011](#) [109P0824H201](#) [109P0824H2011](#) [109P0824M201](#) [109P0824M2011](#)
[109P0848H201](#) [109P0848H2011](#) [109P0812A202](#) [109P0812H202](#) [109P0824H2021](#) [109P0812H2021](#)
[109P0812M2021](#) [109P0824A2021](#) [109P0824A202](#) [109P0824A2D01](#) [109P0824M2021](#) [109P0848H202](#)
[109P0824M2D011](#) [109P0824H2D01](#) [109P0812M2D01](#) [109P0812M2D011](#) [109P0812A2D011](#) [109P0824H2D011](#)
[109P0824H202](#) [109P0812A2D01](#) [109P0848H2021](#) [109P0812A2021](#) [109P0812H2D011](#) [109P0824M202](#)
[109P0824M2D01](#) [109P0812H2D01](#)