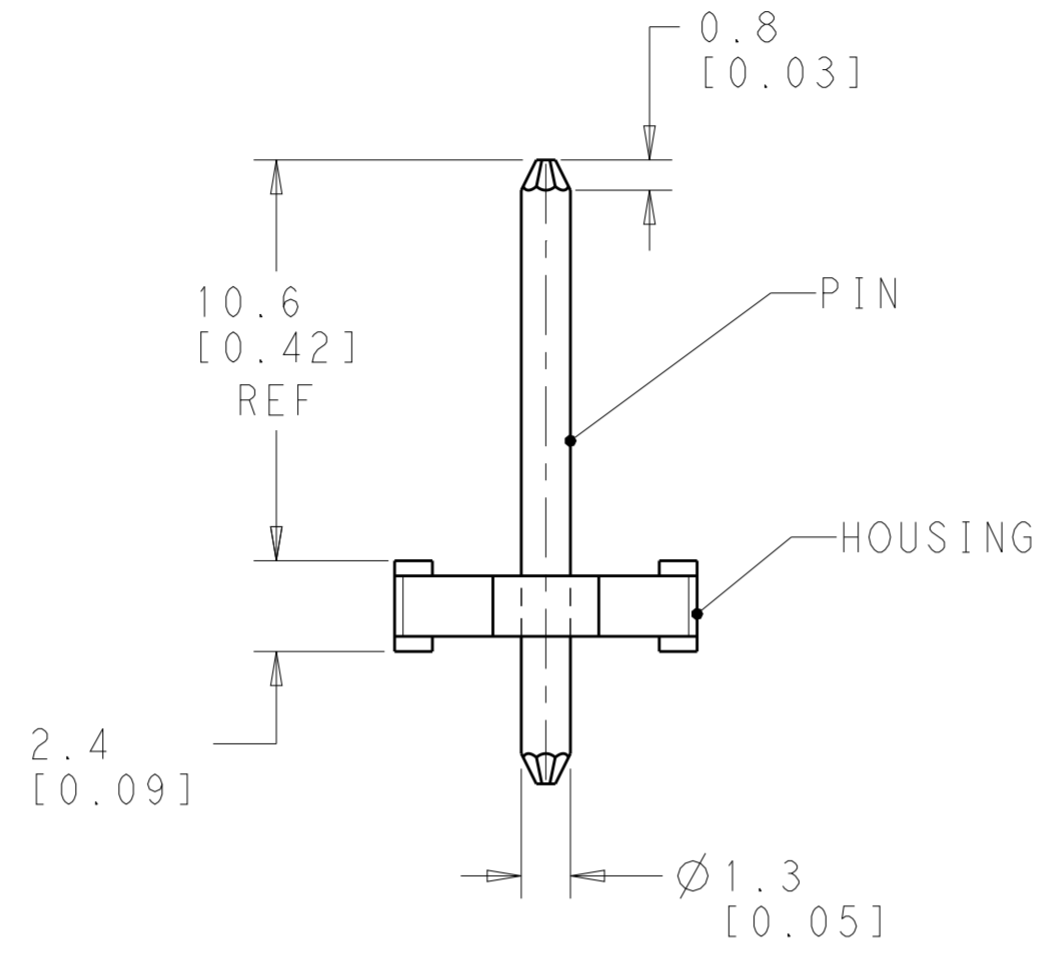
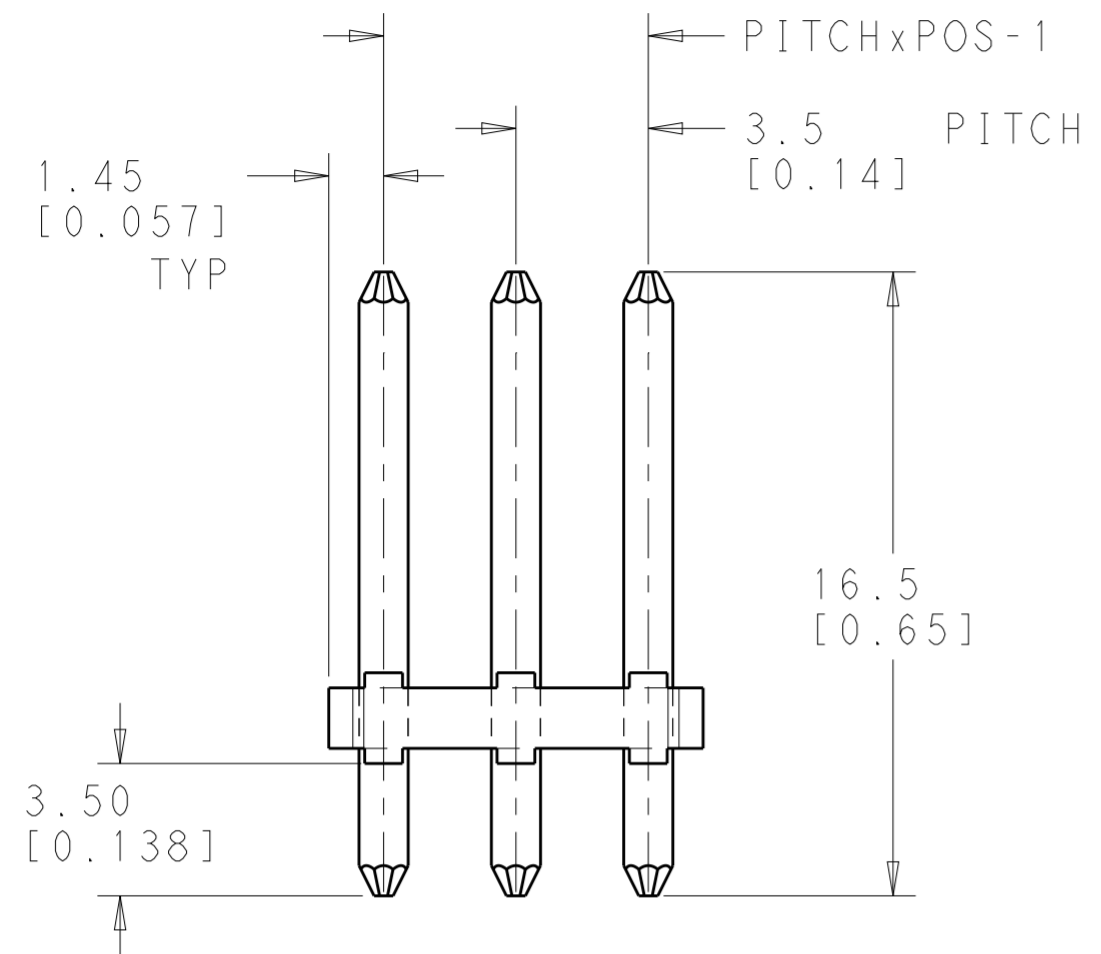


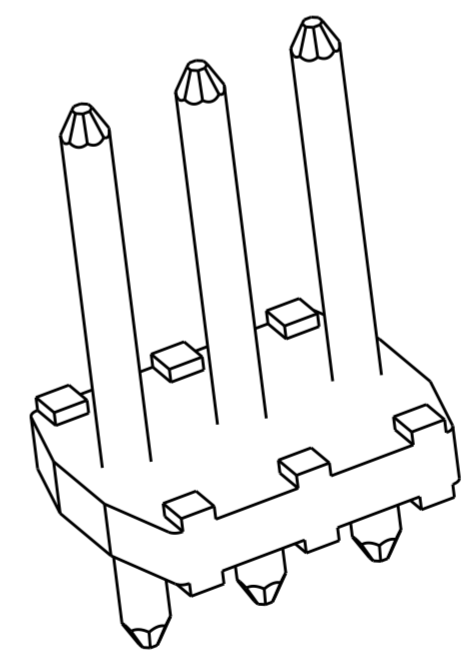
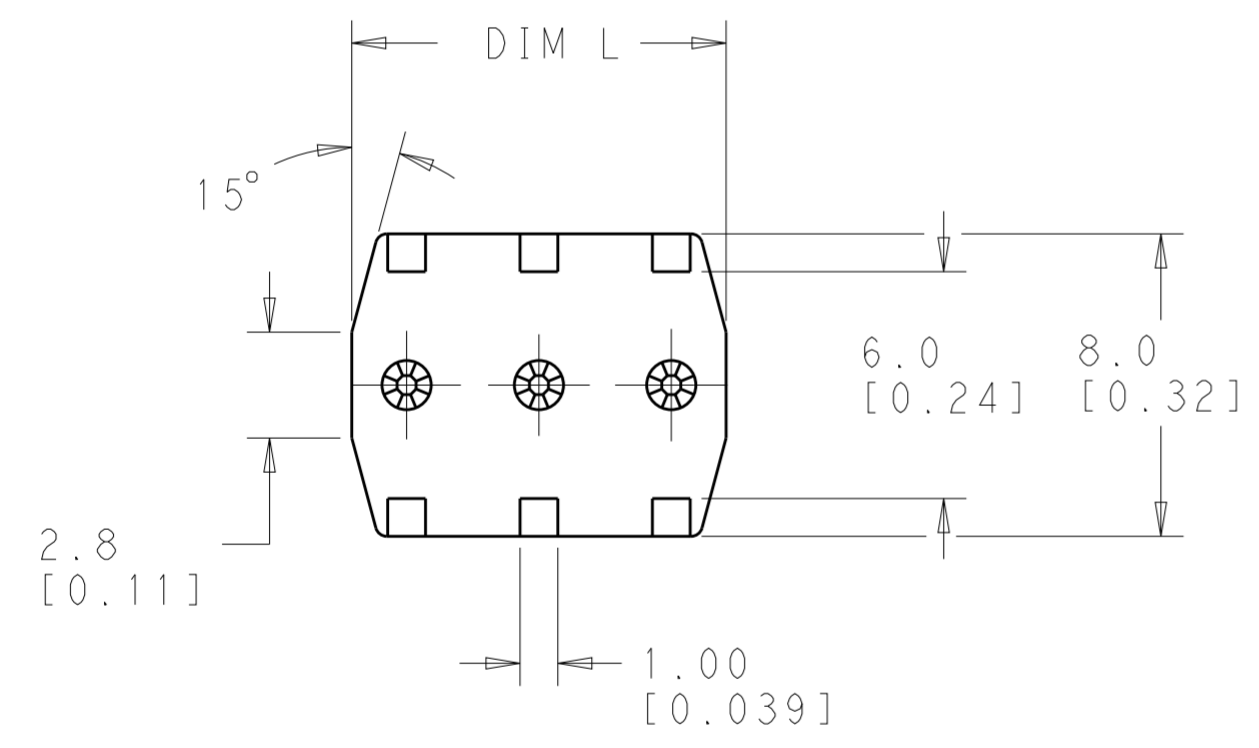
THIS DRAWING IS UNPUBLISHED. RELEASED FOR PUBLICATION 2011  
 © COPYRIGHT 2011 ALL RIGHTS RESERVED.

LOC		DIST		REVISIONS			
P	LTR	DESCRIPTION	DATE	DWN	APVD		
	B3	ADDED BLACK VARIANT	14AUG2015	RRN	PS		



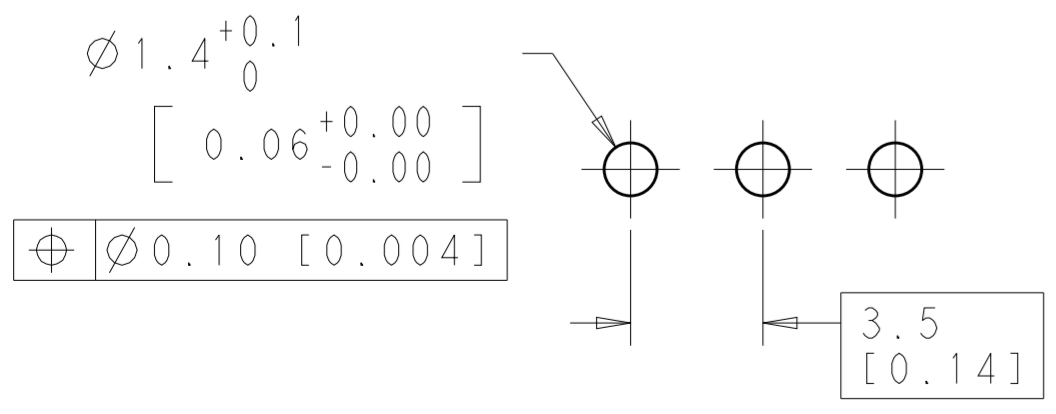
NOTES:

- MATERIALS:**  
 HOUSING: PA HIGH TEMP, UL94 V0, COLOUR: SEE TABLE  
 PIN: COPPER ALLOY  
 PLATING: TIN PLATED
- MECHANICAL:**  
 INSERTION FORCE PER POLE: MAX 2.5 N (MAX 22.1 lbf)  
 WITHDRAWAL FORCE PER POLE: MIN 4.5 N (MIN 39.8 lbf)  
 OPERATING TEMPERATURE: -40°C TO +110°C
- ELECTRICAL:**  
 VOLTAGE RATING: 150 V  
 CURRENT RATING: 2 A  
 CONTACT RESISTANCE: 15 mOHM (MAX)  
 INSULATION RESISTANCE: 1000 MOHMS (MIN) (500V DC)



- 3 AS SHOWN

COLOUR	DIM L	POS	PART NO
BLACK	27.40 [1.078]	8	5-1986718-8
	23.90 [0.941]	7	5-1986718-7
	20.40 [0.803]	6	5-1986718-6
	16.90 [0.665]	5	5-1986718-5
	13.4 [0.527]	4	5-1986718-4
	9.90 [0.389]	3	5-1986718-3
GREEN	6.40 [0.252]	2	5-1986718-2
	27.40 [1.078]	8	1986718-8
	23.90 [0.941]	7	1986718-7
	20.40 [0.803]	6	1986718-6
	16.90 [0.665]	5	1986718-5
	13.4 [0.527]	4	1986718-4
9.90 [0.389]	3	1986718-3	
6.40 [0.252]	2	1986718-2	



THIS DRAWING IS A CONTROLLED DOCUMENT.

DIMENSIONS: MM [INCH]	TOLERANCES UNLESS OTHERWISE SPECIFIED: 0 PLC ± 1 PLC ±0.20 [0.008] 2 PLC ±0.10 [0.004] 3 PLC ± 4 PLC ± ANGLES ±1° FINISH	DWN YASHKUMAR 09NOV2011 CHK SARVER MICHAEL 09NOV2011 APVD SARVER MICHAEL 09NOV2011	NAME MALE CONNECTOR, UNSHROUDED HEADER WITH WIDE BASE STRAIGHT SIDE STACKABLE, PIN 1.3 mm DIA, PITCH 3.5mm
MATERIAL		PRODUCT SPEC - APPLICATION SPEC - WEIGHT -	SIZE A2 CAGE CODE 00779 DRAWING NO C-1986718 RESTRICTED TO -
CUSTOMER DRAWING		SCALE 5:1	SHEET 1 OF 1 REV B3

STE TE Connectivity

# Mouser Electronics

Authorized Distributor

Click to View Pricing, Inventory, Delivery & Lifecycle Information:

[TE Connectivity:](#)

[1986718-8](#)