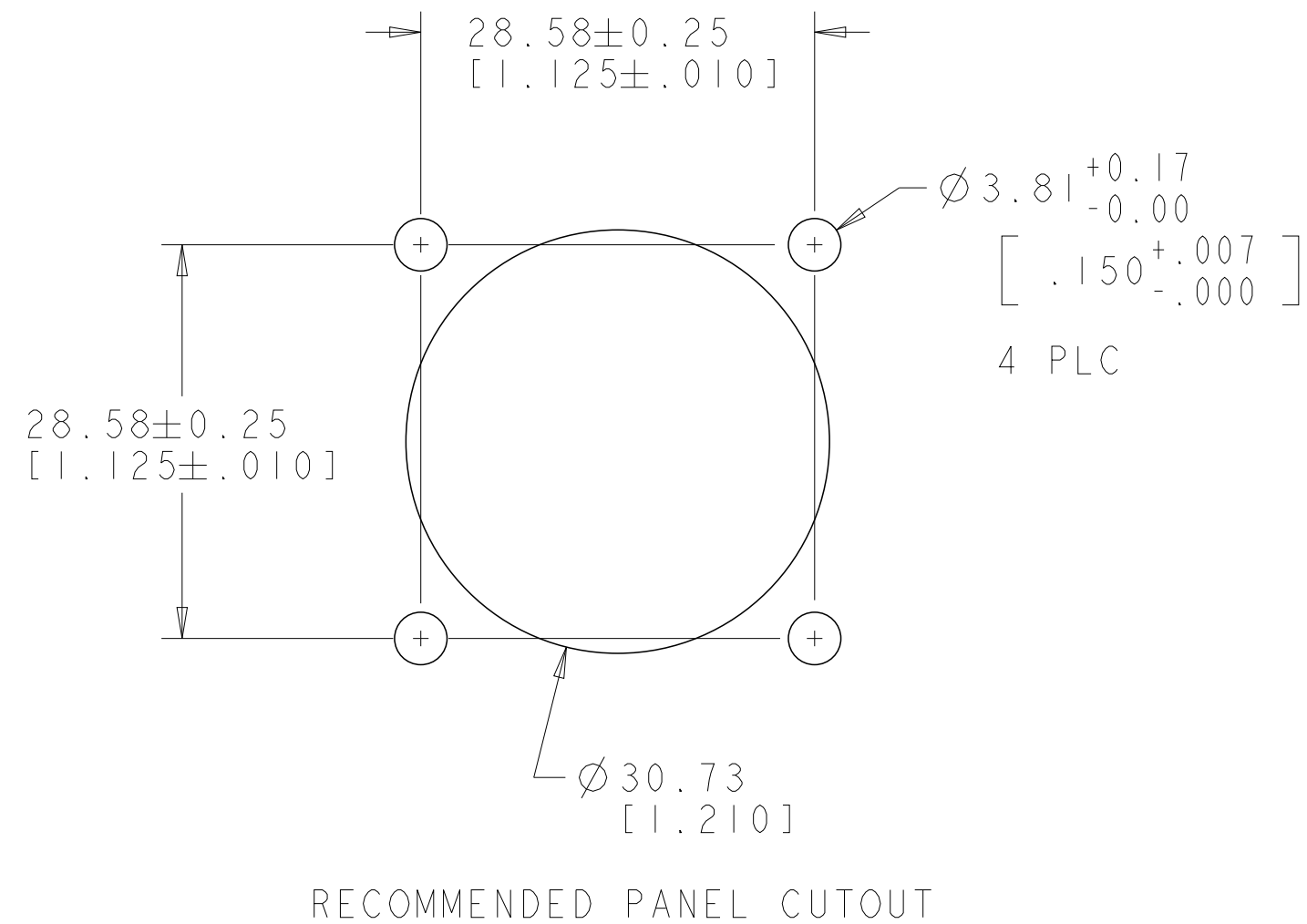
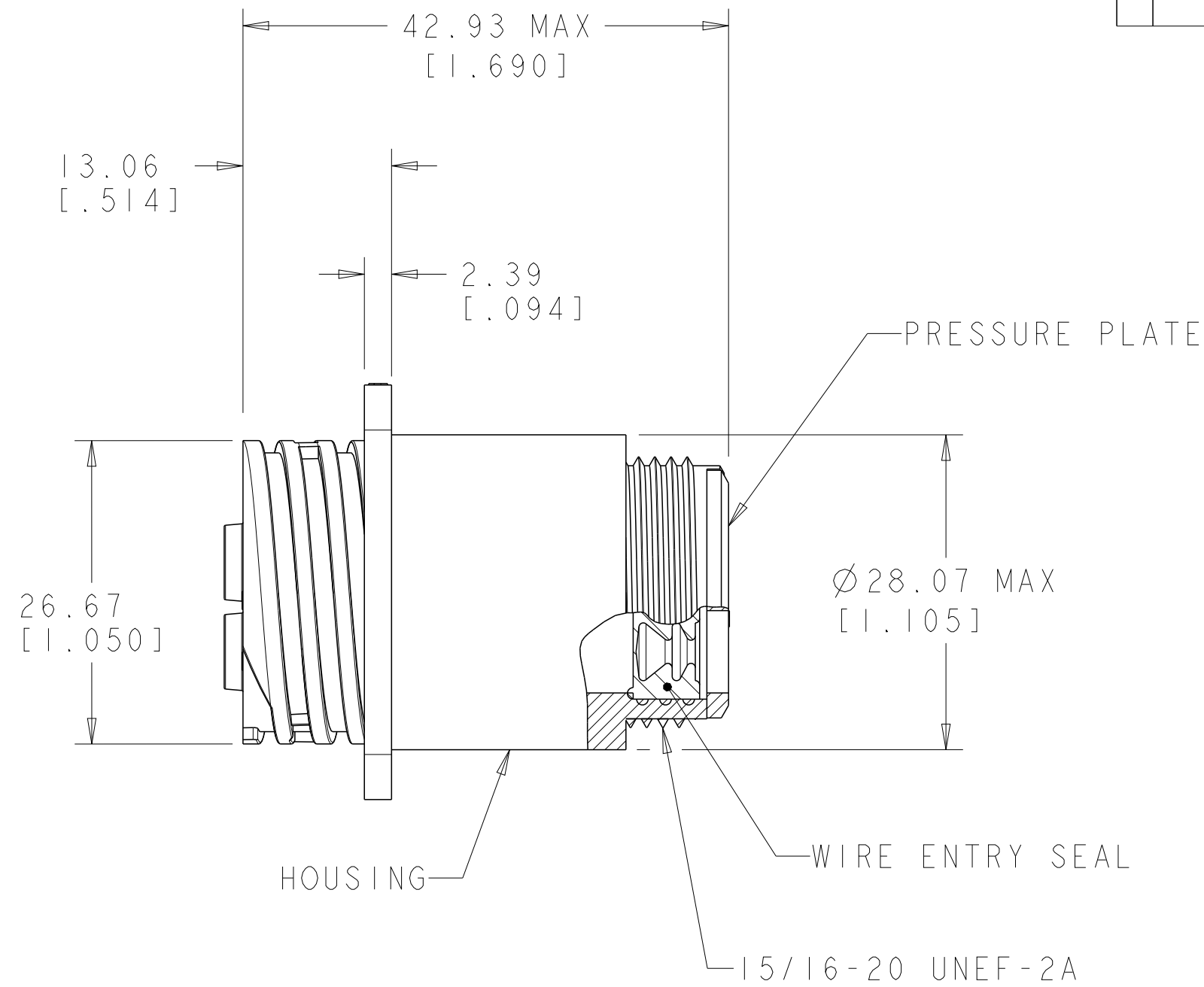
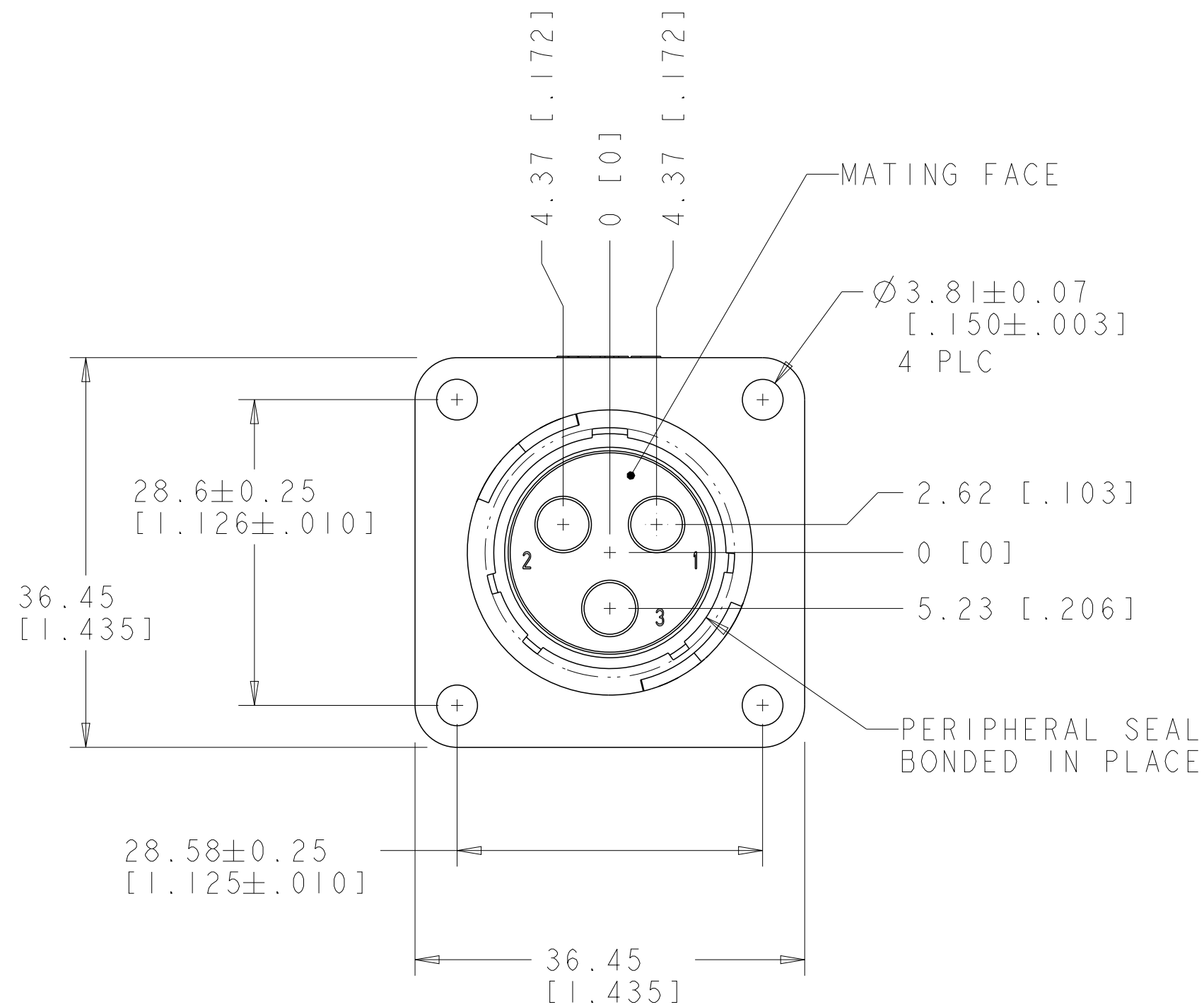


THIS DRAWING IS UNPUBLISHED. RELEASED FOR PUBLICATION
 © COPYRIGHT 20 BY - ALL RIGHTS RESERVED.

LOC		DIST		REVISIONS			
P	LTR	DESCRIPTION	DATE	DWN	APVD		
	A	NEW DRAWING PER ECO-12-018480	08NOV2012	KH	MZ		



- ⚠ HOUSING & PRESSURE PLATE: NYLON, BLACK.
 WIRE ENTRY SEAL: ELASTOMER, RED-IRON OXIDE.
 PERIPHERAL SEAL: POLYESTER, BLACK.
- 2. CONNECTOR WILL ACCEPT (3) POWER SOCKET CONTACTS.

2.41-5.21 [.095-.205]	1977888-1
INSULATION RANGE	PART NUMBER

THIS DRAWING IS A CONTROLLED DOCUMENT.		DWN KIRAN HOLAJI 08NOV2012	STE TE Connectivity	
DIMENSIONS: mm [INCHES]		CHK M. ZITTO 08NOV2012		
TOLERANCES UNLESS OTHERWISE SPECIFIED:		APVD M. ZITTO 08NOV2012	NAME CPC SQUARE FLANGE RECEPTACLE ASSEMBLY, SERIES 5, SEALED, 17-3, REVERSE SEX UV RESISTANT	
0 PLC ±	1 PLC ±	PRODUCT SPEC 108-1579	SIZE A2	
2 PLC ±0.02	3 PLC ±	APPLICATION SPEC	CAGE CODE C-1977888	RESTRICTED TO
4 PLC ±	ANGLES ±	FINISH	SCALE 2:1	SHEET 1 OF 1
MATERIAL		WEIGHT	Customer Drawing	REV A

Mouser Electronics

Authorized Distributor

Click to View Pricing, Inventory, Delivery & Lifecycle Information:

[TE Connectivity:](#)

[1977888-1](#)