

THIS DRAWING IS UNPUBLISHED.

RELEASED FOR PUBLICATION

20

© COPYRIGHT 20 BY -

ALL RIGHTS RESERVED.

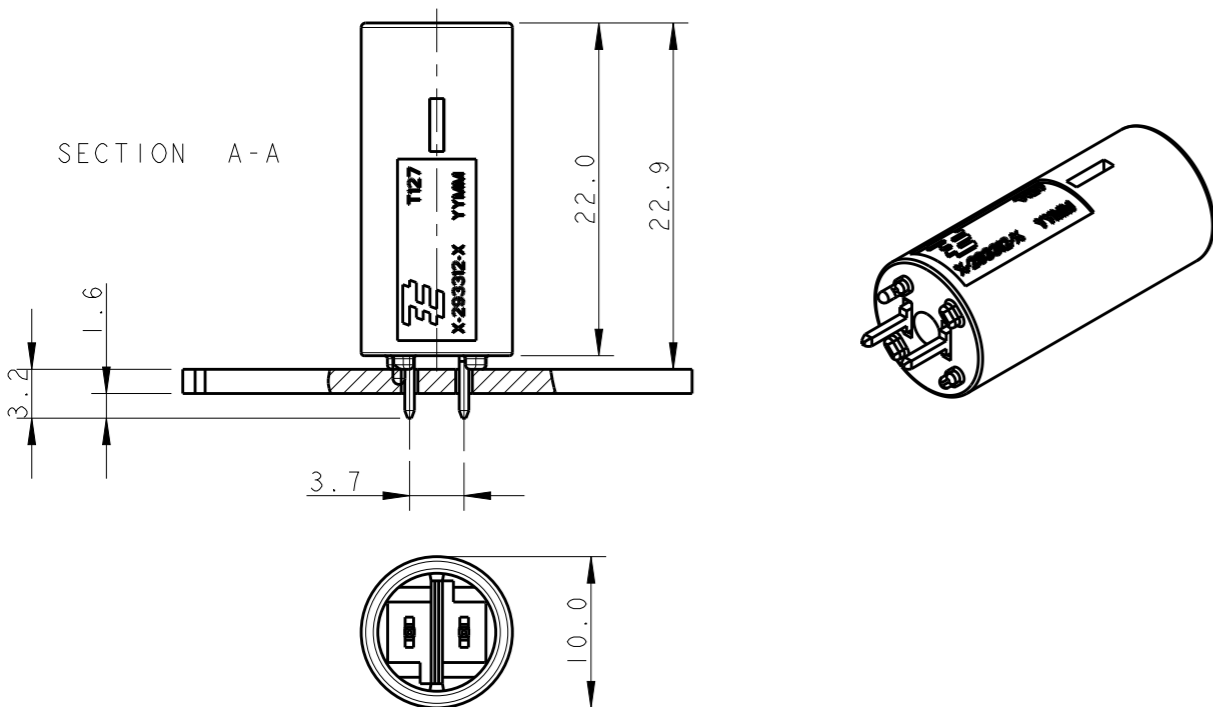
LOC
1

DIST
2

REVISIONS

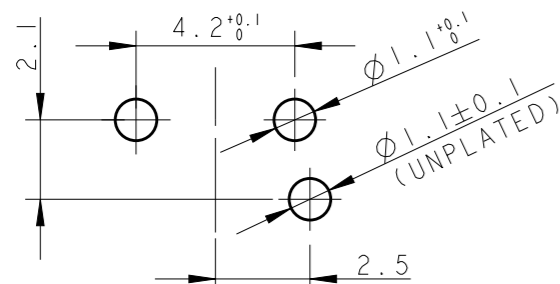
P	LTR	DESCRIPTION	DATE	DWN	APVD
	A	FIRST ISSUE	17FEB2010	AV	GT
	A1	REVISED MARKS ON -5 WAS MARKED AC	04OCT2011	AV	GT
	A2	REVISED PER ECR-13-009678	18SEP2013	RS	DD

TYPICAL APPLICATION



PRINTED CIRCUIT BOARD LAYOUT FOR LOW VOLTAGE VERSION

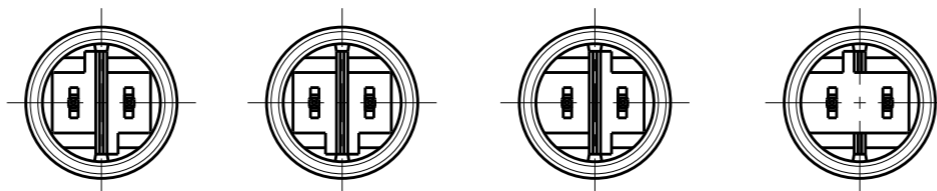
TOLERANCES UNLESS OTHERWISE SPECIFIED ± 0.05
PRINTED CIRCUIT BOARD THICKNESS: 1.6 mm NOMINAL



SCALE 5:2

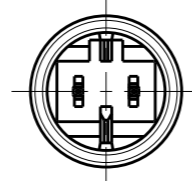
HIGH VOLTAGE

KEYING HV-2 KEYING HV-3 KEYING HV-4 KEYING HV-5



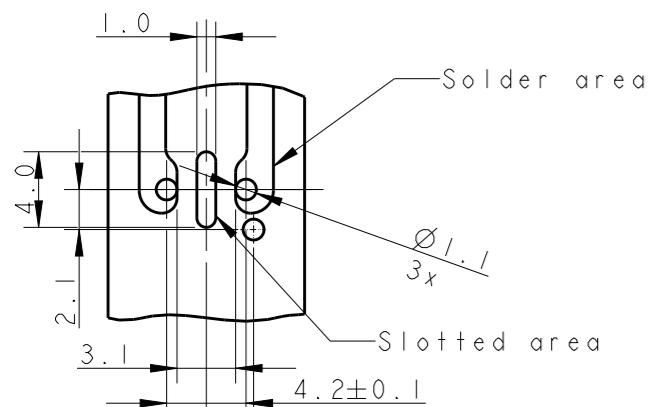
LOW VOLTAGE

KEYING LV-2



PRINTED CIRCUIT BOARD LAYOUT FOR HIGH VOLTAGE VERSION

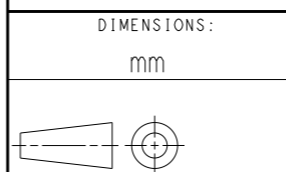
TOLERANCES UNLESS OTHERWISE SPECIFIED ± 0.05
PRINTED CIRCUIT BOARD THICKNESS: 1.6 mm NOMINAL



SCALE 5:2

KEYING	REMARKS	PART NUMBER	CTC. FINISH SURFACE	COLOR
LV-2	LOW-VOLT 42 V DC	293653-5	TIN	WHITE
HV-5	HIGH-VOLT 6A 125 V AC	293653-4	TIN	WHITE
HV-4	HIGH-VOLT 6A 125 V AC	293653-3	TIN	WHITE
HV-3	HIGH-VOLT 6A 125 V AC	293653-2	TIN	WHITE
HV-2	SWITCH-KEYING	293653-1	TIN	WHITE

THIS DRAWING IS A CONTROLLED DOCUMENT.



MATERIAL -

DIMENSIONS:	TOLERANCES UNLESS OTHERWISE SPECIFIED:
mm	
0 PLC	±-
1 PLC	±0.3
2 PLC	±0.1
3 PLC	±-
4 PLC	±-
ANGLES	±0.5°
FINISH	-

DWN	A. vecchia	17FEB2010
CHK	G. Turco	17FEB2010
APVD	G. Turco	17FEB2010
PRODUCT SPEC	108-20294	
APPLICATION SPEC	114-32102	
WEIGHT	-	

STE TE Connectivity			
NAME 7.5 mm PCB CONNECTOR ASSEMBLY STRAIGHT MALE VERSION FOR USA MARKET			
SIZE	CAGE CODE	DRAWING NO	RESTRICTED TO
A3	00779	C-293653	-

CUSTOMER DRAWING

SCALE 5:1

SHEET 1 OF 1

REV A2