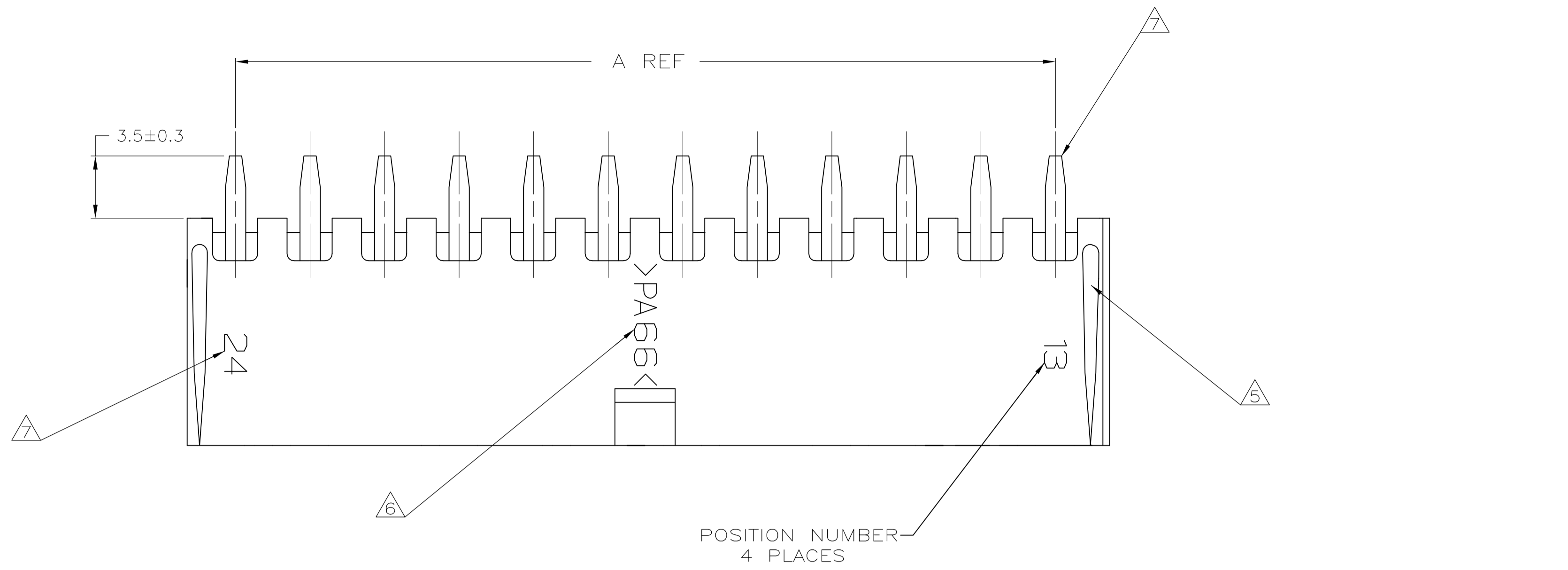
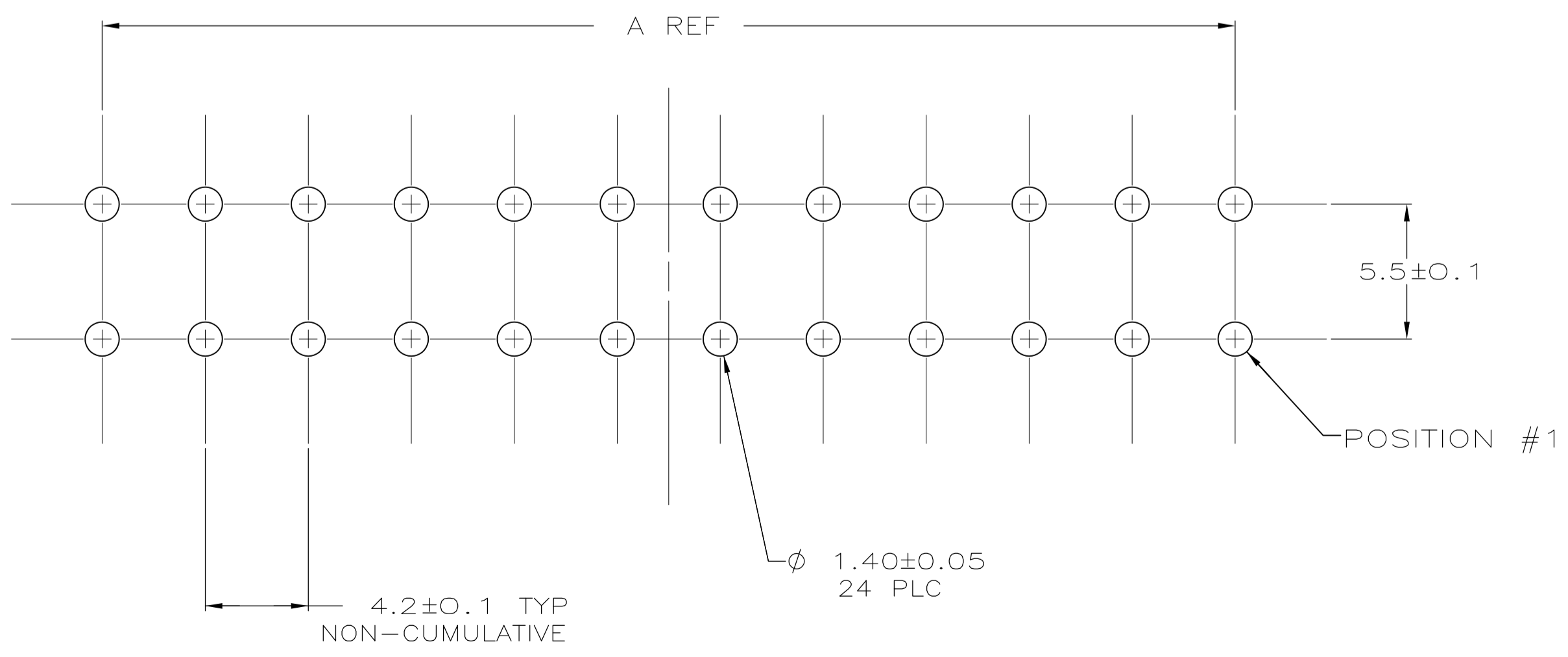
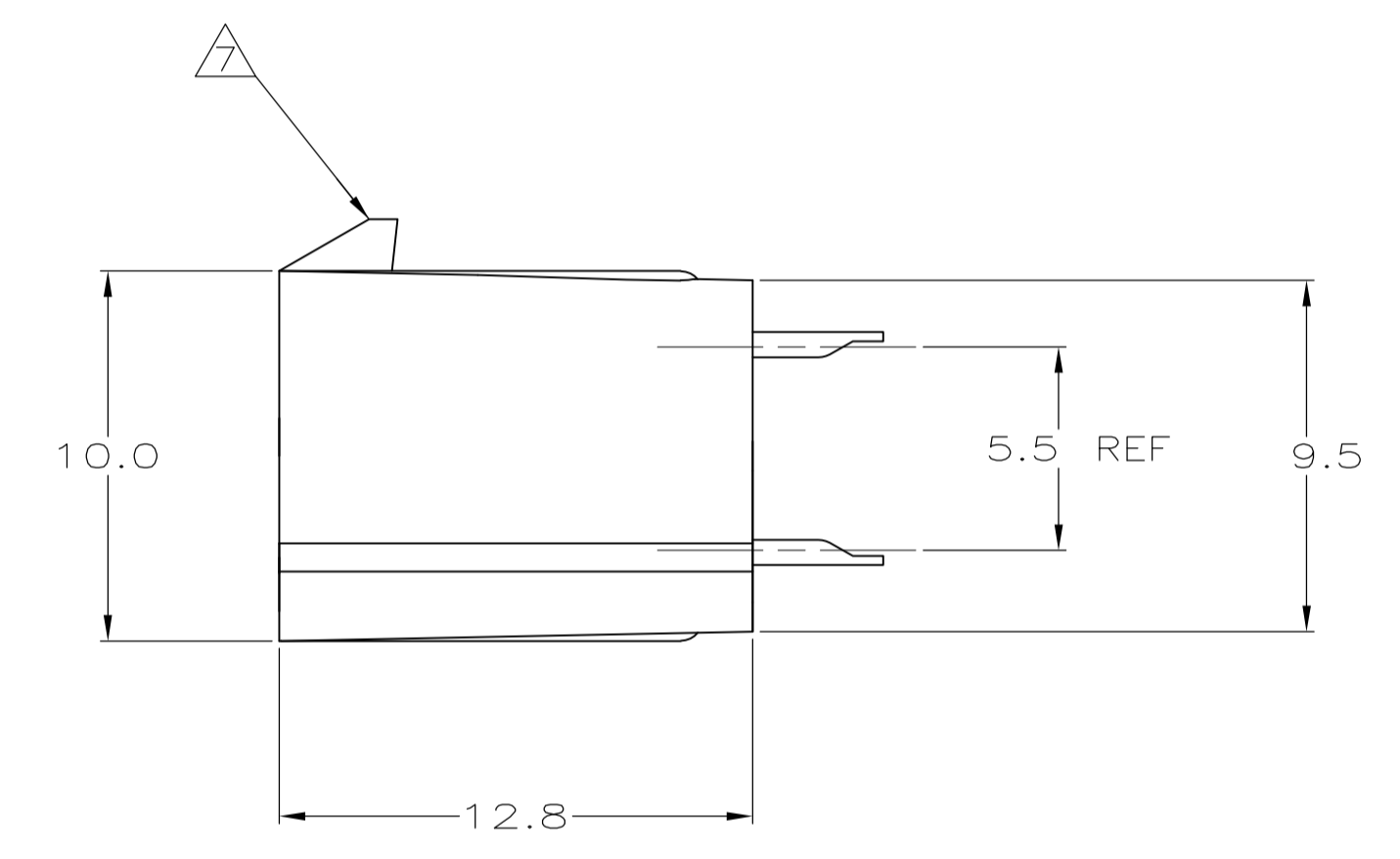
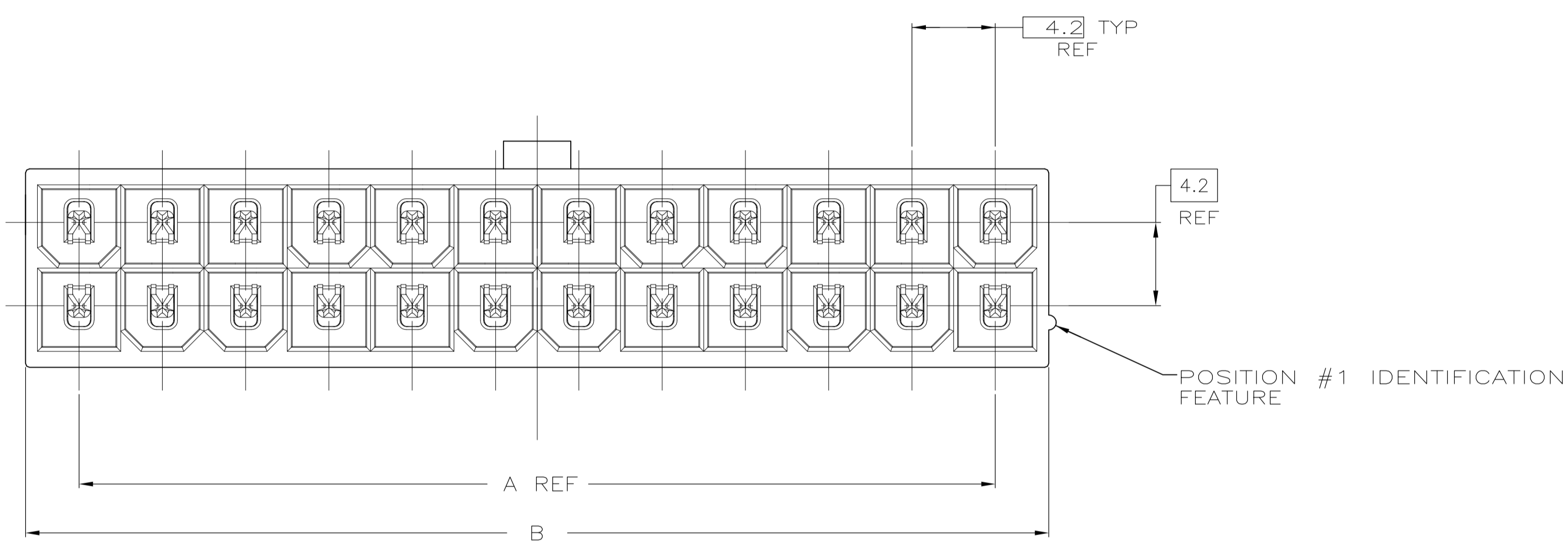


LOC		DIST		REVISIONS			
P	LTR	DESCRIPTION	DATE	DNW	APVD		
P		REVISED PER ECO-11-005027	11MAR11	RK	HMR		



- △ MATERIAL: HOUSING - NYLON, UL94V-2 (COLOR - NATURAL, COLOR OF PARTS MAY VARY). CONTACTS - 0.25 THK COPPER ALLOY.
- △ CONTACT FINISH: 0.003 MIN THK TIN OVER 0.00127 MIN THK NICKEL OVER ENTIRE CONTACT.
- 3. SOLDER TAIL MEETS AMP SOLDERABILITY SPECIFICATION 109-11-2.
- 4. MATES WITH SIMILARLY PLATED AMP-DUAC™ POWER CONNECTOR RECEPTACLE HOUSINGS/SOCKET CONTACTS.
- △ RIBS ON FOUR CORNERS OPTIONAL.
- △ AMP LOGO AND MATERIAL ID MAY BE LOCATED ON EITHER LONG SIDE OF PART.
- △ SIZE, SHAPE OR STYLE OF THIS FEATURE MAY VARY.

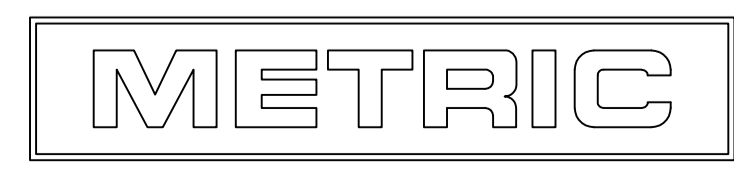


RECOMMENDED MOUNTING HOLE PATTERN FOR 1.78 MAX THICK P.C. BOARD COMPONENT SIDE SHOWN

51.6	46.2	24	2-1586491-4
47.4	42.0	22	2-1586491-2
43.2	37.8	20	2-1586491-0
39.0	33.6	18	1-1586491-8
34.8	29.4	16	1-1586491-6
30.6	25.2	14	1-1586491-4
26.4	21.0	12	1-1586491-2
22.2	16.8	10	1-1586491-0
18.0	12.6	8	1586491-8
13.8	8.4	6	1586491-6
9.6	4.2	4	1586491-4
5.4	0.0	2	1586491-2
B	A	NO. OF POSITIONS	PART NO

THIS DRAWING IS A CONTROLLED DOCUMENT.

DIMENSIONS: mm	TOLERANCES UNLESS OTHERWISE SPECIFIED:	DIN K. WHITAKER 20JUNE2005	CHK D. COLEY 20JUNE2005	APVD D. COLEY 20JUNE2005	NAME
0 PLC ± -	1 PLC ± 0.2	STE TE Connectivity			ASSEMBLY, HEADER, VERTICAL, TIN PLATED, W/O PEGS, W/O DRAIN HOLES, 94V-2, AMP-DUAC
2 PLC ± 0.13	3 PLC ± -	PRODUCT SPEC 108-1699			SIZE CASE CODE DRAWING NO. RESTRICTED TO
4 PLC ± -	ANGLES ± ± 0°30'	APPLICATION SPEC			WEIGHT A1 00779 C=1586491
MATERIAL 1	FINISH 2	CUSTOMER DRAWING			SCALE 5:1 SHEET 1 OF 1 REV P



Mouser Electronics

Authorized Distributor

Click to View Pricing, Inventory, Delivery & Lifecycle Information:

[TE Connectivity:](#)

[1-1586491-0](#)