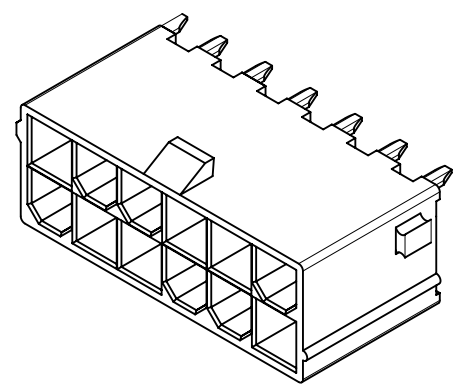


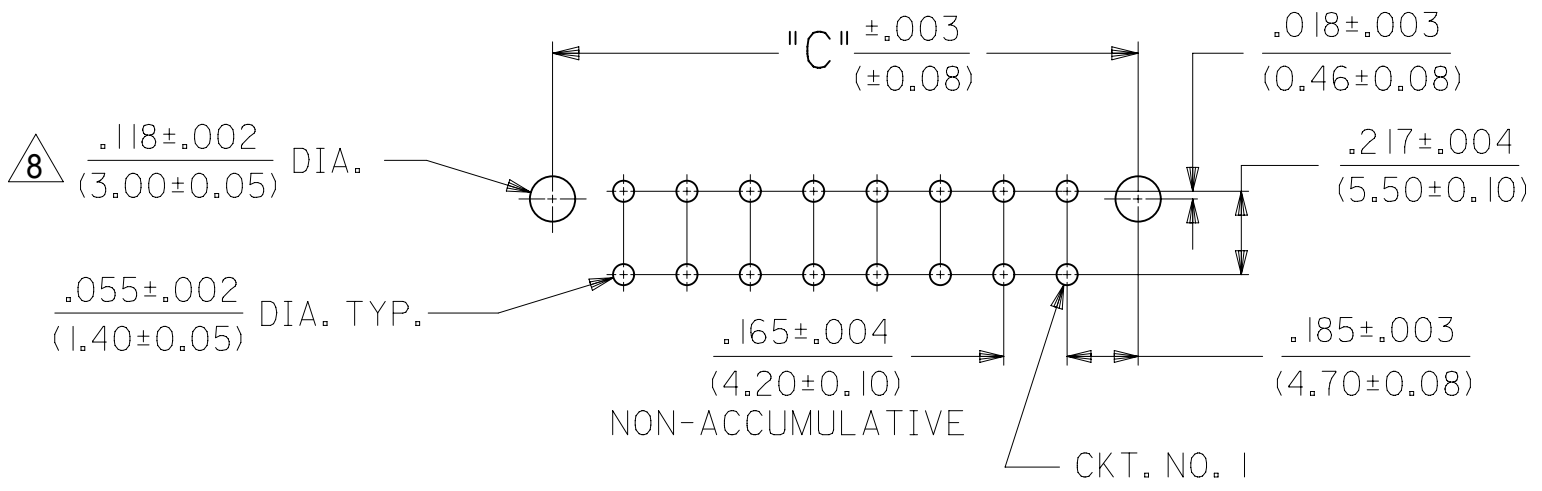
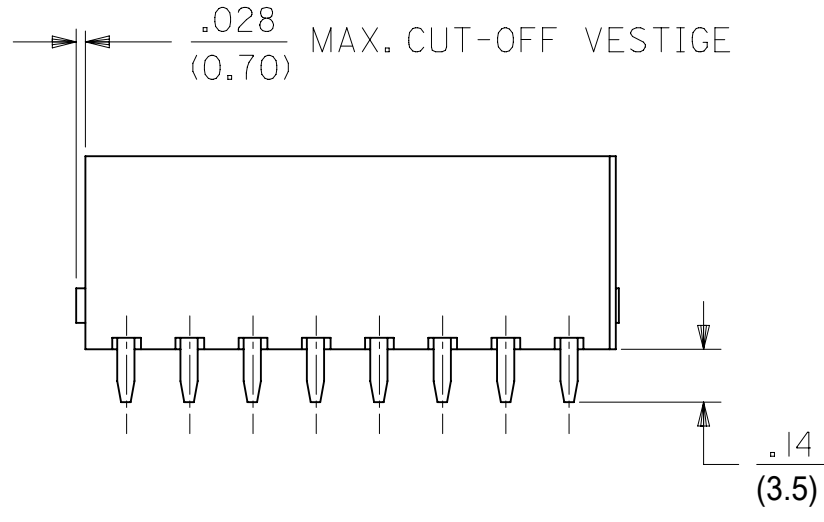
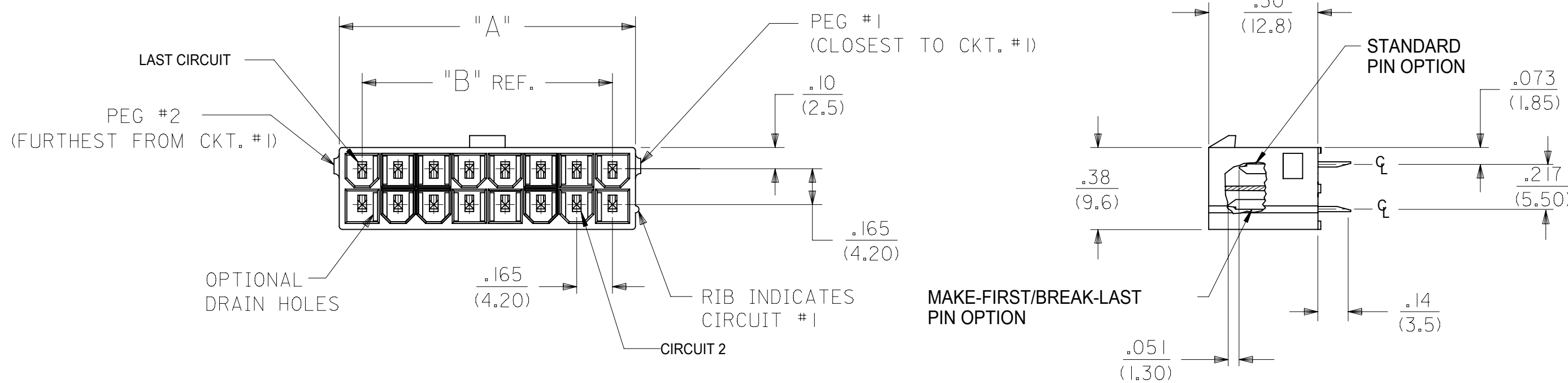
CIRCUIT SIZE	DIM. "A"	DIM. "B"	DIM. "C"
2	$\frac{.21}{(5.4)}$	—	$\frac{.370}{(9.40)}$
4	$\frac{.38}{(9.6)}$	$\frac{.17}{(4.2)}$	$\frac{.535}{(13.60)}$
6	$\frac{.54}{(13.8)}$	$\frac{.33}{(8.4)}$	$\frac{.701}{(17.80)}$
8	$\frac{.71}{(18.0)}$	$\frac{.50}{(12.6)}$	$\frac{.866}{(22.00)}$
10	$\frac{.87}{(22.2)}$	$\frac{.66}{(16.8)}$	$\frac{1.031}{(26.20)}$
12	$\frac{1.04}{(26.4)}$	$\frac{.83}{(21.0)}$	$\frac{1.197}{(30.40)}$
14	$\frac{1.20}{(30.6)}$	$\frac{.99}{(25.2)}$	$\frac{1.362}{(34.60)}$
16	$\frac{1.37}{(34.8)}$	$\frac{1.16}{(29.4)}$	$\frac{1.528}{(38.80)}$
18	$\frac{1.54}{(39.0)}$	$\frac{1.32}{(33.6)}$	$\frac{1.693}{(43.00)}$
20	$\frac{1.70}{(43.2)}$	$\frac{1.49}{(37.8)}$	$\frac{1.858}{(47.20)}$
22	$\frac{1.87}{(47.4)}$	$\frac{1.65}{(42.0)}$	$\frac{2.024}{(51.40)}$
24	$\frac{2.03}{(51.6)}$	$\frac{1.82}{(46.2)}$	$\frac{2.189}{(55.60)}$



12 CKT SHOWN

NOTES:

- MATERIALS:
HOUSING MATERIAL AND OPTIONS: SEE CHART
TERMINALS: BRASS
- TERMINAL PLATING:
A = .000035/(0.00089) MIN. REFLOWED MATTE TIN OVER
.000020/(0.00051) MIN. COPPER OVERALL (PREPLATE)
(FINISH IS BRIGHT IN APPEARANCE, THICKNESS AS APPLIED PRIOR TO REFLOW)
B = .000030/(0.00076) MIN. SELECT GOLD AND
.000100/(0.00254) MIN. MATTE TIN OVER
.000050/(0.00127) MIN. NICKEL OVERALL
C = .000100/(0.00254) MIN. BRIGHT TIN OVER
.000050/(0.00127) MIN. NICKEL OVERALL
D = .000100/(0.00254) MIN. MATTE TIN OVER
.000050/(0.00127) MIN. NICKEL OVERALL
- PRODUCT SPECIFICATION: PS-5556-001
- PACKAGING: SEE CHART.
- PART MATES WITH MINI-FIT JR. RECEPTACLE #5557.
- PARTS ARE NOT DESIGNED FOR CURRENT SHARING.
- CONNECTOR ASSEMBLIES ARE NOT DESIGNED TO BE MATED OR UNMATED WHILE CIRCUITS ARE LIVE.
- LOCATION OF $.118 \pm .002 / (3.00 \pm 0.05)$ DIAMETER HOLES ON P.C. BOARD IS FOR OPTIONAL PEGS.
- PART CONFORMS TO CLASS "B" REQUIREMENTS OF COSMETIC SPECIFICATION PS-45499-002 EXCEPT IN AREA OF PEG CUT-OFF.
- 5 CIRCUIT PARTS HAVE PEG DESIGN B. ALL OTHER CIRCUIT SIZES HAVE PEG DESIGN A.



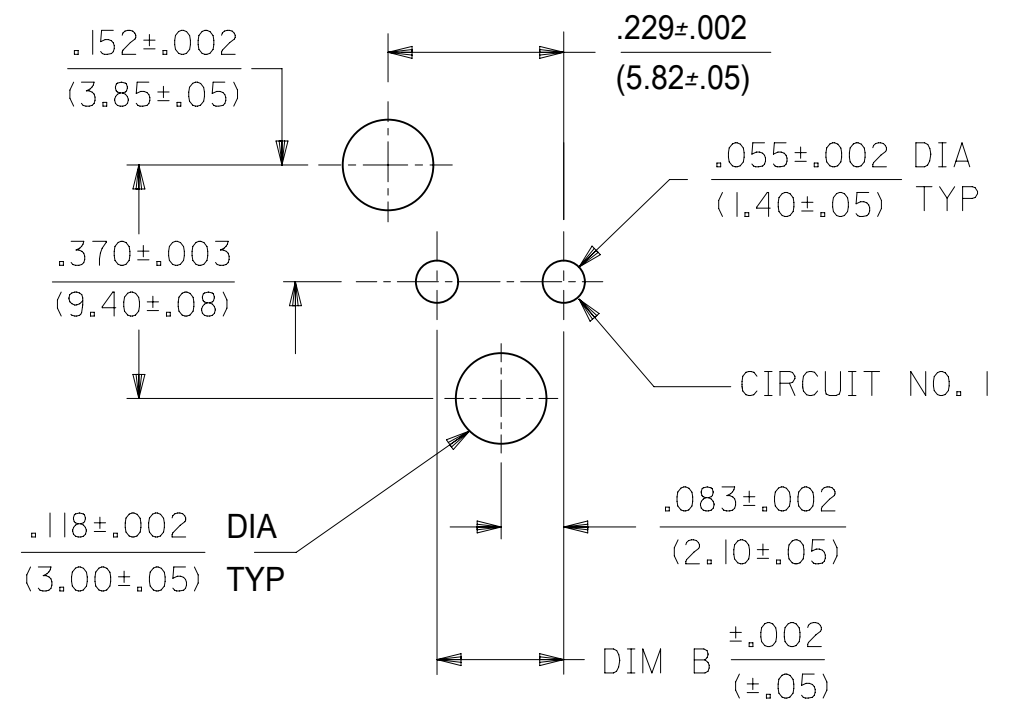
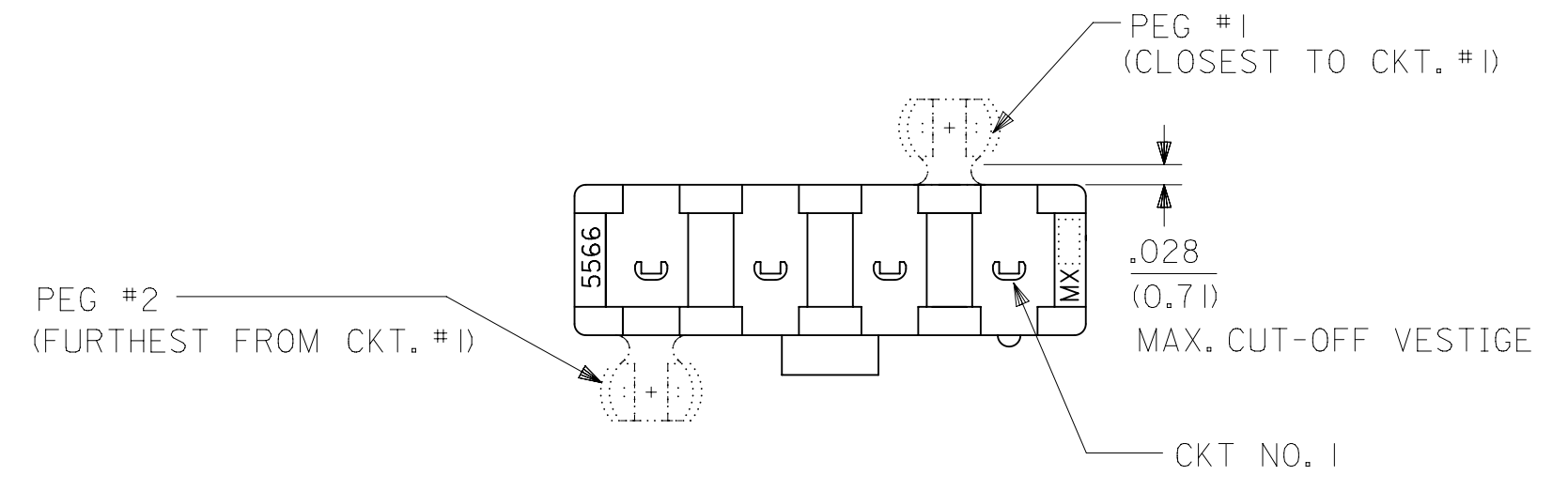
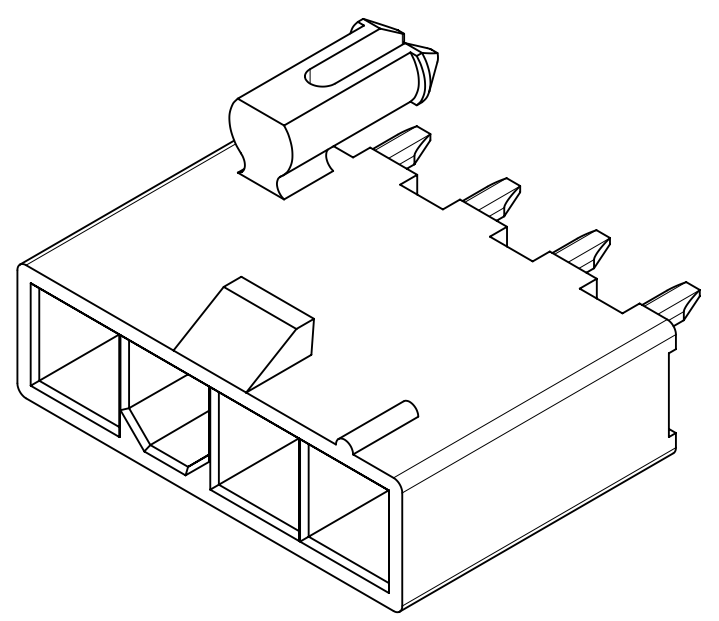
RECOMMENDED HOLE LAYOUT FOR .070/(1.78) MAX. THICK P.C. BOARD VIEWED FROM COMPONENT SIDE (SEE NOTE 8)

SEE SHEET 2 FOR SINGLE ROW PRODUCT

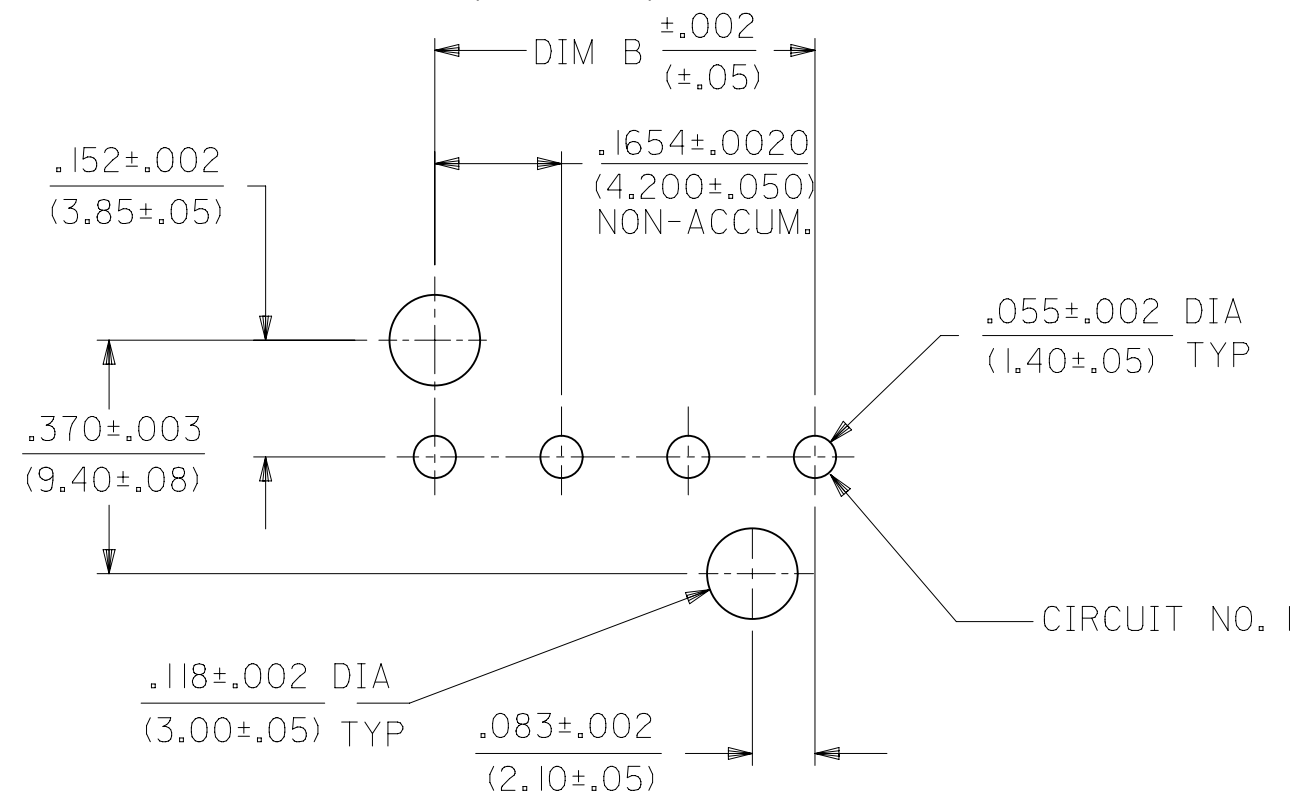
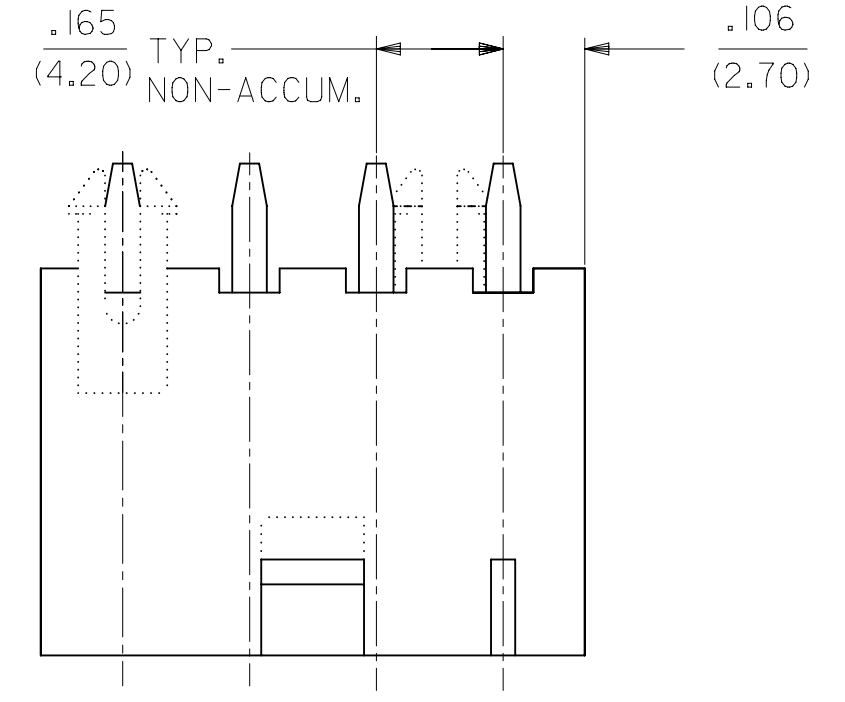
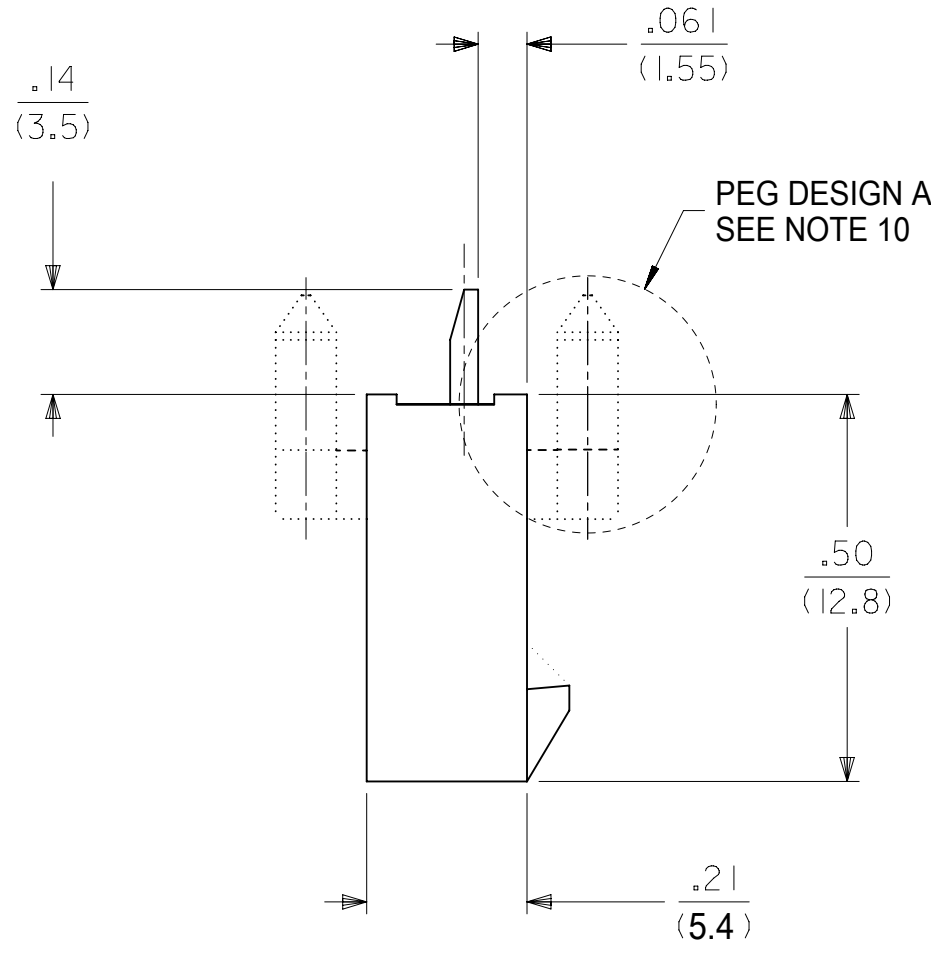
THIS DRAWING REPLACES DRAWING SDA-43588****

SYMBOLS		THIS DRAWING CONTAINS INFORMATION THAT IS PROPRIETARY TO MOLEX ELECTRONIC TECHNOLOGIES, LLC AND SHOULD NOT BE USED WITHOUT WRITTEN PERMISSION	
DIMENSION UNITS	SCALE	CURRENT REV DESC: MIGRATE TO ECTR	
$\nabla = 0$	IN/MM	2:1	EC NO: 172489 DRWN: AZAHIROVIC 2018/02/19 CHK'D: JBELL 2018/02/20 APPR: FSMITH 2018/02/22
$\nabla = 0$	GENERAL TOLERANCES (UNLESS SPECIFIED)		
$\nabla = 0$		MM	INCH
$\nabla = 0$	4 PLACES	±	±
$\nabla = 0$	3 PLACES	±	±
$\nabla = 0$	2 PLACES	±	±
$\nabla = 0$	1 PLACE	±	±
$\nabla = 0$	0 PLACES	±	±
$\nabla = 0$	ANGULAR TOL	± °	
$\nabla = 0$	DRAFT WHERE APPLICABLE MUST REMAIN WITHIN DIMENSIONS		
$\nabla = 0$	THIRD ANGLE PROJECTION	DRAWING	SERIES
		C-SIZE	43588
		DOCUMENT NUMBER	DOC TYPE DOC PART REVISION
		435880000-SD	PSD 000 A
		MATERIAL NUMBER	CUSTOMER
		SEE SHEET 3	
		SHEET NUMBER	
		1 OF 4	

CKT SIZE	DIM A	DIM B
2	.378 (9.60)	.165 (4.20)
4	.709 (18.00)	.496 (12.60)
5	.874 (22.20)	.661 (16.80)
6	1.039 (26.40)	.827 (21.00)
7	1.205 (30.60)	.992 (25.20)
8	1.370 (34.80)	1.157 (29.40)
9	1.535 (39.00)	1.323 (33.60)
10	1.701 (43.20)	1.488 (37.80)
11	1.866 (47.40)	1.654 (42.00)
12	2.031 (51.60)	1.819 (46.20)

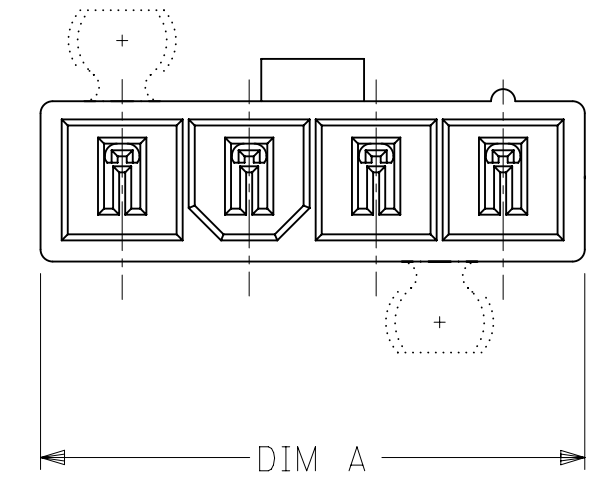


RECOMMENDED HOLE LAYOUT FOR
.070/(1.78) MAX. THICK P. C. BOARD
VIEWED FROM COMPONENT SIDE
FOR 2 CIRCUIT SINGLE ROW HEADER
(SEE NOTE 8)



RECOMMENDED HOLE LAYOUT FOR
.070/(1.78) MAX. THICK P. C. BOARD
VIEWED FROM COMPONENT SIDE
FOR 4 TO 6 CIRCUIT SINGLE ROW HEADER
(SEE NOTE 8)

SEE SHEET 1 FOR DUAL ROW PRODUCT



THIS DRAWING CONTAINS INFORMATION THAT IS PROPRIETARY TO MOLEX ELECTRONIC TECHNOLOGIES, LLC AND SHOULD NOT BE USED WITHOUT WRITTEN PERMISSION									
SYMBOLS		DIMENSION UNITS		SCALE		CURRENT REV DESC: MIGRATE TO ECTR			
▽ = 0	IN/MM	2:1		EC NO: 172489 DRWN: AZAHIROVIC 2018/02/19 CHK'D: JBELL 2018/02/20 APPR: FSMITH 2018/02/22 INITIAL REVISION: DRWN: AFG 1995/07/19 APPR: FSMITH 2010/03/08					
▽ = 0	GENERAL TOLERANCES (UNLESS SPECIFIED)								
▽ = 0	MM	INCH							
▽ = 0	4 PLACES ±	3 PLACES ±	2 PLACES ±						
▽ = 0	1 PLACE ±	0 PLACES ±	ANGULAR TOL ± °	THIRD ANGLE PROJECTION		DRAWING SERIES		MATERIAL NUMBER CUSTOMER SHEET NUMBER	
▽ = 0	DRAFT WHERE APPLICABLE MUST REMAIN WITHIN DIMENSIONS			C-SIZE		43588		SEE SHEET 3	



2-24 CKT VERT HDR ASSY W/PEGS
REMOVED OPTION MINI-FIT JR

PRODUCT CUSTOMER DRAWING

DOCUMENT NUMBER	DOC TYPE	DOC PART	REVISION
435880000-SD	PSD	000	A

DOCUMENT STATUS	P1	RELEASE DATE	2018/02/22 21:31:11
12	11	10	9

ITEM NO.	CKTS	MATERIAL	HOUSING TYPE	DRAIN HOLES	PEG 1	PEG 2	PLATING PER NOTE 2	TERMINAL VERSION REQUIRED AT EACH CIRCUIT LOCATION: V = VOID																								PACKAGING
								1	2	3	4	5	6	7	8	9	10	11	12	13	14	15	16	17	18	19	20	21	22	23	24	
43588-2001	20	94V-2	DUAL ROW	YES	WITH	REMOVED	A	1	1	1	1	1	1	1	1	1	1	1	1	1	1	1	1	1	1	1	-	-	-	-	PK-44206-001	
43588-2007	20	94V-2	DUAL ROW	NO	REMOVED	WITH	A	1	1	1	1	1	1	1	1	1	1	1	1	1	1	1	1	1	1	1	-	-	-	-	PK-5566-003	
43588-0012	05	94V-0	SINGLE ROW	NO	WITH	WITH	C	4	V	V	V	4	-	-	-	-	-	-	-	-	-	-	-	-	-	-	-	-	-	PK-5566-002		
43588-0017	04	94V-0	SINGLE ROW	NO	REMOVED	WITH	C	4	V	V	4	-	-	-	-	-	-	-	-	-	-	-	-	-	-	-	-	-	-	PK-5566-002		
43588-0018	04	94V-0	SINGLE ROW	NO	WITH	WITH	C	4	5	5	4	-	-	-	-	-	-	-	-	-	-	-	-	-	-	-	-	-				
43588-0020	06	94V-2	DUAL ROW	NO	NONE	NONE	C	4	V	4	4	V	4	-	-	-	-	-	-	-	-	-	-	-	-	-	-	-	-	PK-5566-003		
43588-0021	14	94V-0	DUAL ROW	NO	NONE	NONE	B	3	3	3	3	3	3	3	3	3	3	3	3	3	V	3	3	-	-	-	-	-	-			
43588-0022	24	94V-0	DUAL ROW	NO	WITH	REMOVED	D	6	6	6	6	6	6	6	6	6	6	6	6	6	6	6	6	6	6	6	6	6	6	PK-5566-001		
43588-0023	05	94V-0	SINGLE ROW	NO	REMOVED	REMOVED	D	6	6	6	6	6	-	-	-	-	-	-	-	-	-	-	-	-	-	-	-	-	-	PK-43588-001		
43588-0024	06	94V-0	DUAL ROW	NO	NONE	NONE	C	4	V	4	4	V	4	-	-	-	-	-	-	-	-	-	-	-	-	-	-	-	-	PK-5566-001		



TERMINAL CODES		
TERMINAL TYPE	PLATING SEE NOTE 2	MATERIAL
1 = STANDARD	A	BRASS
3 = STANDARD	B	BRASS
4 = STANDARD	C	BRASS
5 = MF/BL	C	BRASS
6 = STANDARD	D	BRASS
7 = MF/BL	D	BRASS

SYMBOLS	THIS DRAWING CONTAINS INFORMATION THAT IS PROPRIETARY TO MOLEX ELECTRONIC TECHNOLOGIES, LLC AND SHOULD NOT BE USED WITHOUT WRITTEN PERMISSION									
	DIMENSION UNITS		SCALE		CURRENT REV DESC: MIGRATE TO ECTR					
▽ = 0	IN/MM		1:1		EC NO: 172489 DRWN: AZAHIROVIC 2018/02/19 CHK'D: JBELL 2018/02/20 APPR: FSMITH 2018/02/22 INITIAL REVISION: DRWN: AFG 1995/07/19 APPR: FSMITH 2010/03/08					
▽ = 0	GENERAL TOLERANCES (UNLESS SPECIFIED)									
▽ = 0										
▽ = 0										
▽ = 0	4 PLACES ±		±		PRODUCT CUSTOMER DRAWING DOCUMENT NUMBER: 435880000-SD DOC TYPE: PSD DOC PART: 000 REVISION: A					
▽ = 0	3 PLACES ±		±							
▽ = 0	2 PLACES ±		±		MATERIAL NUMBER: SEE SHEET 3 CUSTOMER: SHEET NUMBER: 3 OF 4					
▽ = 0	1 PLACE ±		±							
▽ = 0	0 PLACES ±		±							
▽ = 0	ANGULAR TOL ± °				THIRD ANGLE PROJECTION		DRAWING		SERIES	
▽ = 0	DRAFT WHERE APPLICABLE MUST REMAIN WITHIN DIMENSIONS						C-SIZE		43588	

ITEM NO.	CKTS	MATERIAL	HOUSING TYPE	DRAIN HOLES	PEG 1	PEG 2	PLATING PER NOTE 2	TERMINAL VERSION REQUIRED AT EACH CIRCUIT LOCATION: V = VOID																								PACKAGING
								1	2	3	4	5	6	7	8	9	10	11	12	13	14	15	16	17	18	19	20	21	22	23	24	
43588-0025	06	94V-0	DUAL ROW	NO	NONE	NONE	B	3	V	3	3	V	3	-	-	-	-	-	-	-	-	-	-	-	-	-	-	-	-	-	PK-5566-001	
X 43588-0028	06	94V-0	DUAL ROW	NO	WITH	WITH	D	6	V	6	6	V	6	-	-	-	-	-	-	-	-	-	-	-	-	-	-	-	-	-	PK-5566-001	
43588-0029	12	94V-0	DUAL ROW	NO	WITH	REMOVED	D	6	6	6	6	6	6	6	6	6	6	6	6	6	-	-	-	-	-	-	-	-	-	-	PK-43588-002	
43588-0030	04	94V-0	DUAL ROW	NO	WITH	WITH	B	3	V	V	3																			PK-5566-001		
43588-0031	20	94V-0	DUAL ROW	NO	WITH	WITH	B	3	V	3	V	3	V	V	3	3	3	3	V	V	3	V	3	V	3	3	3			PK-5566-001		
43588-0032	24	94V-0	DUAL ROW	NO	WITH	WITH	B	3	V	3	V	3	V	3	V	3	V	3	V	V	3	V	3	V	3	V	3	V	3	PK-5566-001		

X = NOT TOOLED

TERMINAL TYPE	PLATING SEE NOTE 2	MATERIAL
3 = STANDARD	B - GOLD	BRASS
6 = STANDARD	D - MATTE TIN	BRASS
7 = MF/BL	D - MATTE TIN	BRASS

DOCUMENT STATUS	P1	RELEASE DATE	2018/02/22	21:31:11
-----------------	----	--------------	------------	----------

SYMBOLS	THIS DRAWING CONTAINS INFORMATION THAT IS PROPRIETARY TO MOLEX ELECTRONIC TECHNOLOGIES, LLC AND SHOULD NOT BE USED WITHOUT WRITTEN PERMISSION				
	DIMENSION UNITS	SCALE		CURRENT REV DESC: MIGRATE TO ECTR	
= 0	IN/MM	1:1		EC NO: 172489 DRWN: AZAHIROVIC 2018/02/19 CHK'D: JBELL 2018/02/20 APPR: FSMITH 2018/02/22 INITIAL REVISION: DRWN: AFG 1995/07/19 APPR: FSMITH 2010/03/08	
= 0	GENERAL TOLERANCES (UNLESS SPECIFIED)				
= 0		MM	INCH		
= 0	4 PLACES	±	±		
= 0	3 PLACES	±	±		
= 0	2 PLACES	±	±	PRODUCT CUSTOMER DRAWING DOCUMENT NUMBER: 435880000-SD DOC TYPE: PSD DOC PART: 000 REVISION: A	
= 0	1 PLACE	±	±		
= 0	0 PLACES	±	±	MATERIAL NUMBER: SEE SHEET 3 CUSTOMER: SHEET NUMBER: 4 OF 4	
= 0	ANGULAR TOL	±	°		
= 0	DRAFT WHERE APPLICABLE MUST REMAIN WITHIN DIMENSIONS	THIRD ANGLE PROJECTION		DRAWING: C-SIZE	SERIES: 43588



2-24 CKT VERT HDR ASSY W/PEGS
REMOVED OPTION MINI-FIT JR

435880000-SD

PSD 000 A

SEE SHEET 3

C-SIZE 43588

4 OF 4

Mouser Electronics

Authorized Distributor

Click to View Pricing, Inventory, Delivery & Lifecycle Information:

[Molex:](#)

[43588-2001](#) [43588-0024](#)