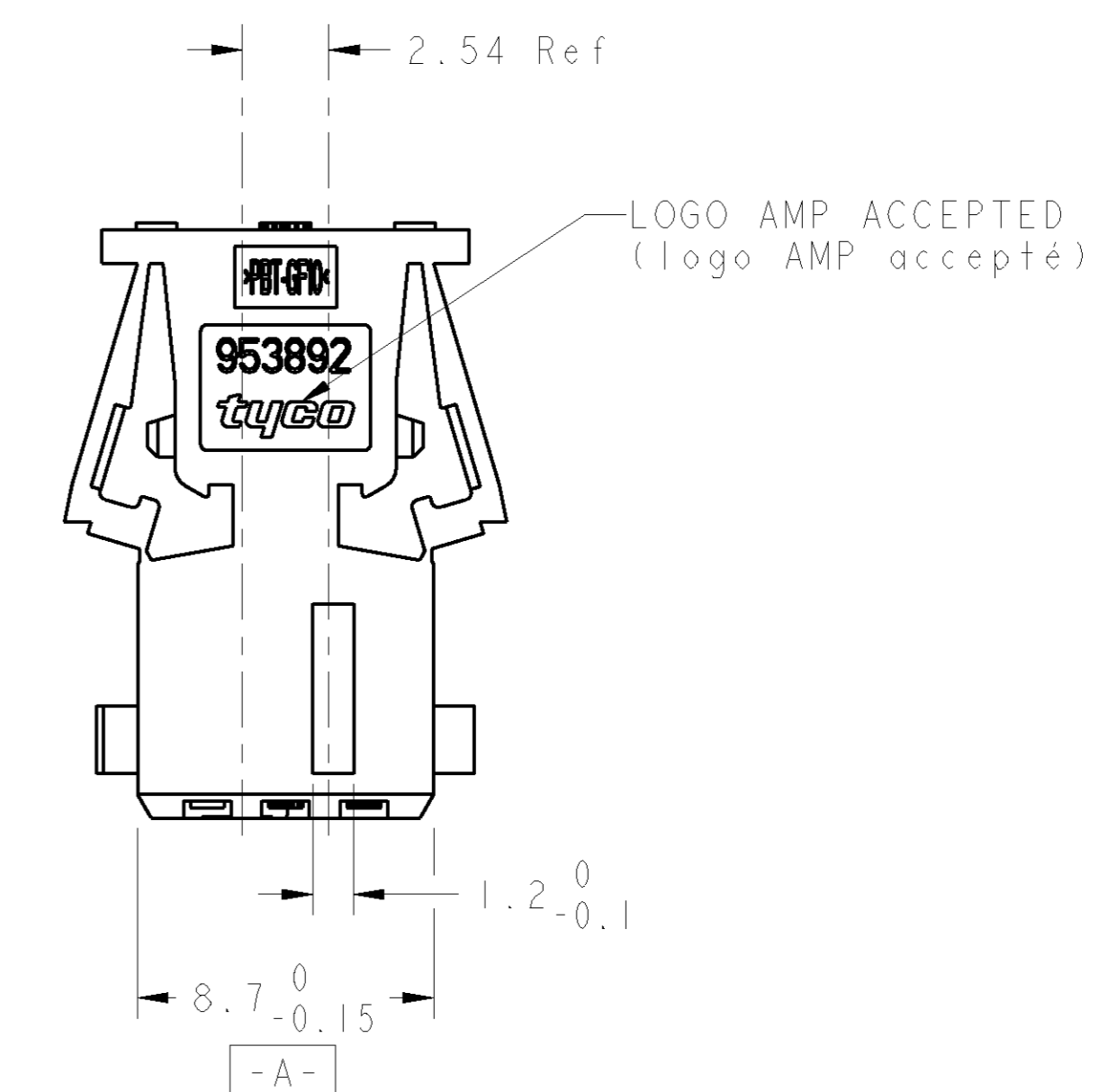
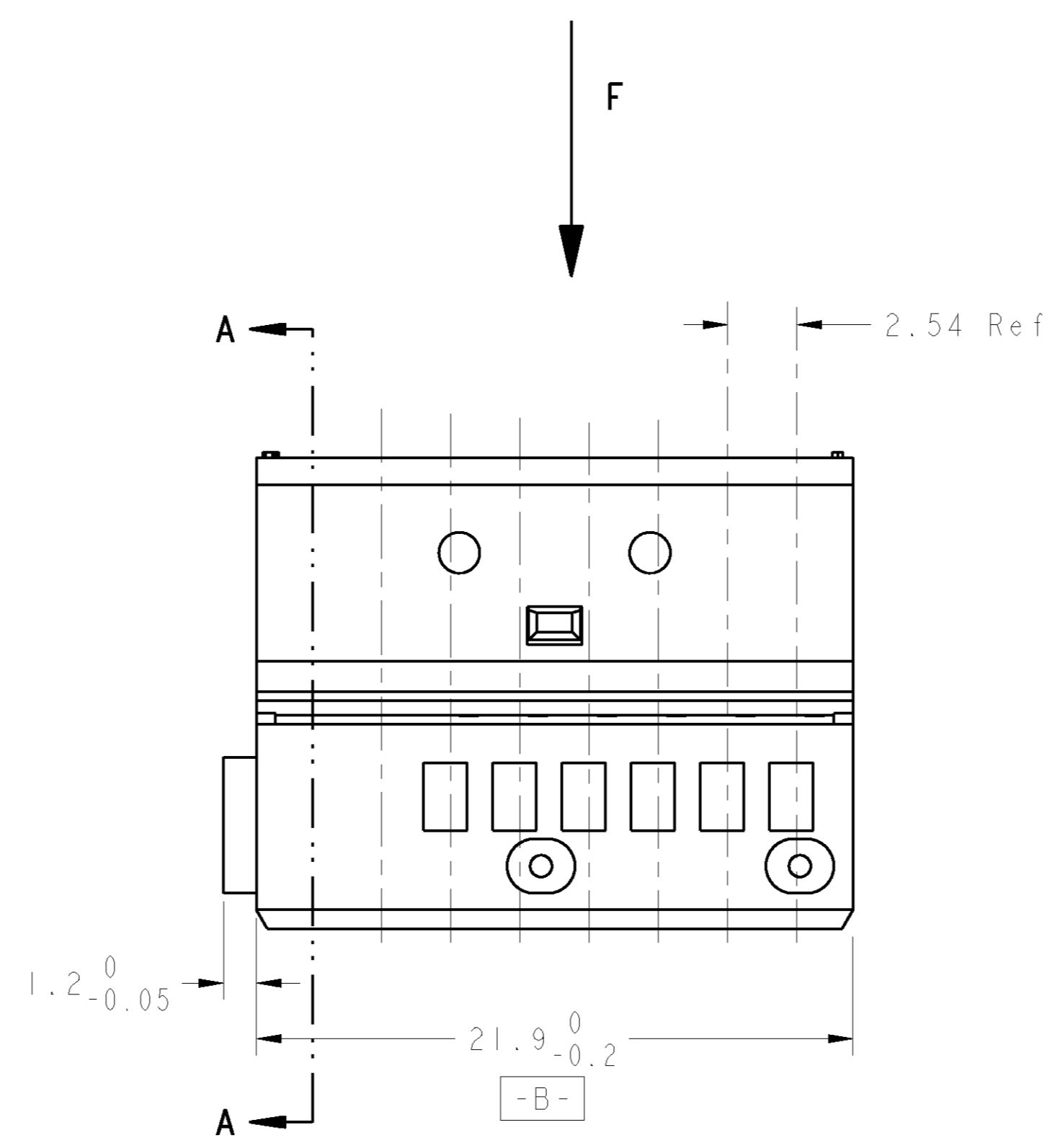
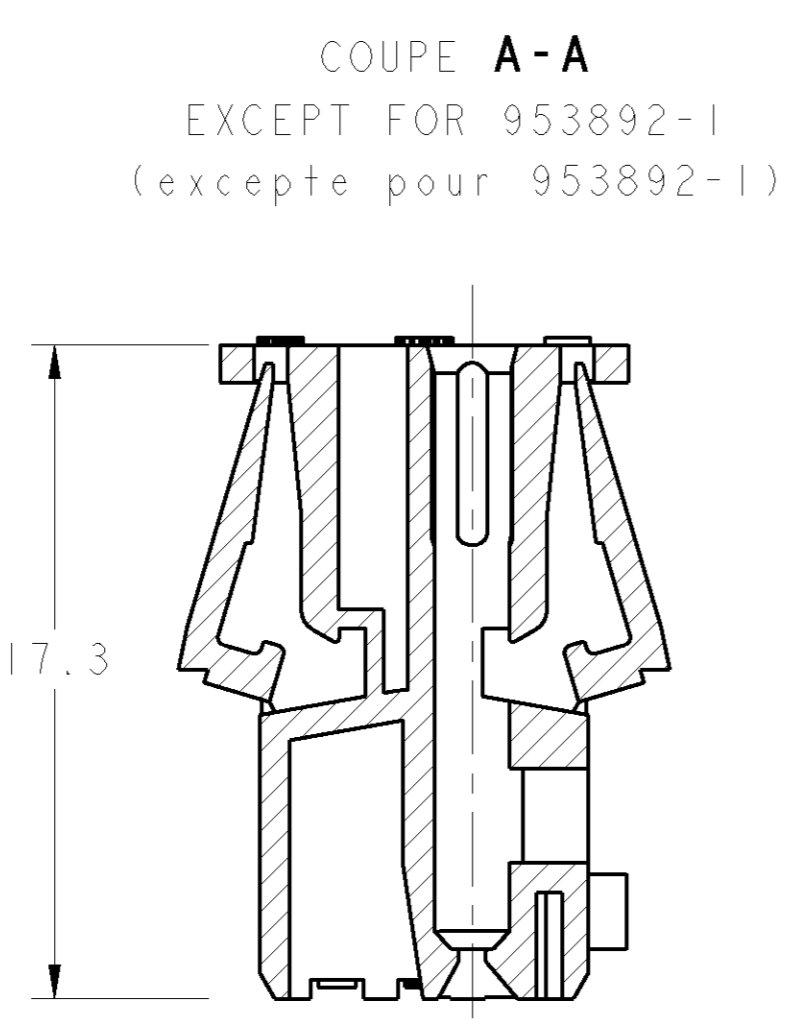
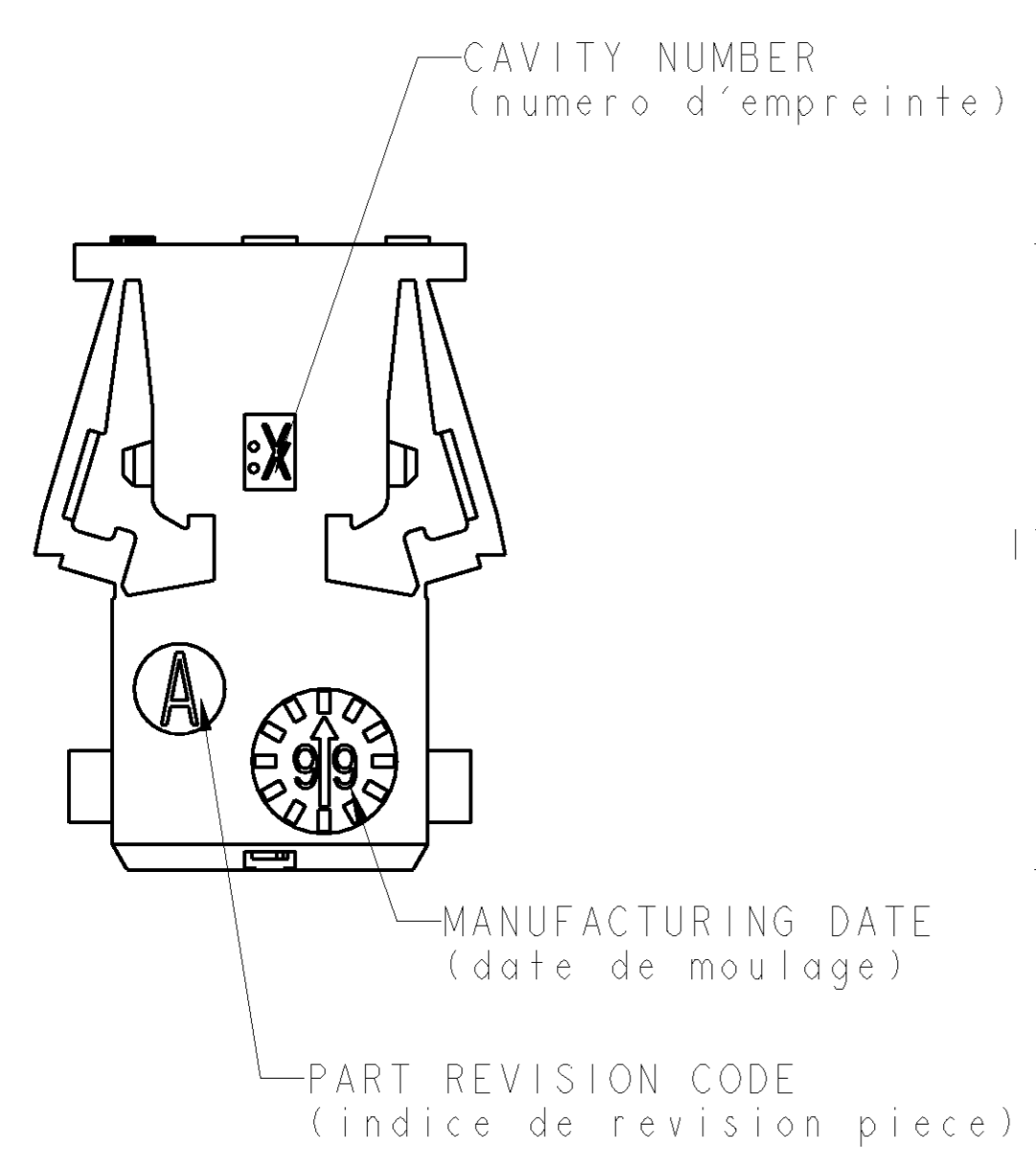


LOC	DIST	REVISIONS			
F	7	LTB	DESCRIPTION	DATE	APP
		A	Amelioration produit (clipsage volet)	31AUG2001	F.J JPP
		B	Ajout 4 trous optionnels sur volets	09NOV2001	F.J JPP
		C	NOTE LOGO AMP/TOLERANCE COTE 21.9	11MAY2006	P.B JPP



VIEW FOLLOWING F (vue suivant F) ECHELLE 3:1	COUNTERPART (contrepartie)	COLOR (couleur)	MATERIAL (matiere)	DESCRIPTION (description)	PRC (rev)	PART NUMBER (reference)
<p>2.8±0.08</p>	4-953893-1	BLUE (BLEU)	PBT GF 10 (PBT 10% FV)	RECEPTACLE HSG 8 POS. PORTE CLIPS "MOS" 8 VOIES	A	4-953892-1
<p>1.4±0.08</p>	3-953893-1	BROWN (MARRON)	PBT GF 10 (PBT 10% FV)	RECEPTACLE HSG 10 POS. PORTE CLIPS "MOS" 10 VOIES	A	3-953892-1
	2-953893-1	BLACK (NOIR)	PBT GF 10 (PBT 10% FV)	RECEPTACLE HSG 12 POS. PORTE CLIPS "MOS" 12 VOIES	A	2-953892-1
<p>1.4±0.08</p>	1-953893-1	GREY (GRIS)	PBT GF 10 (PBT 10% FV)	RECEPTACLE HSG 14 POS. PORTE CLIPS "MOS" 14 VOIES	A	1-953892-1
<p>2.8±0.08</p>	953893-1	GREEN (VERT)	PBT GF 10 (PBT 10% FV)	RECEPTACLE HSG 16 POS. PORTE CLIPS "MOS" 16 VOIES	A	953892-1

<small>THIS DRAWING IS UNPUBLISHED. RELEASED FOR PUBLICATION BY TIPO ELECTRONICS CORPORATION. ALL RIGHTS RESERVED. TICO ELECTRONICS CORPORATION. TICO ELECTRONICS CORPORATION. TICO ELECTRONICS CORPORATION.</small>		DWN/DESSINE: ZIMAR2001 F. JODON CDR/VERIFIE: ZIMAR2001 J. LALANGE	Tyco Electronics TYCO ELECTRONICS France SAS BP 39, 95301 CERGY-PONTOISE Cedex
DIMENSIONS: mm 	TOLERANCES UNLESS OTHERWISE SPECIFIED: (TOLERANCES NON SPECIFIEES): 1. PLS DEC ±.01 2. PLS DEC ±.02 3. PLS DEC ±.03 4. PLS DEC ±.04	APVD/APPROUVE: ZIMAR2001 IP. PICALUD PRODUCT SPEC: 108-15308 SPEC. PRODUIT: 108-15308 APPLICATION SPEC: 411-15629 WEIGHT: 2.3g MASSE APPROX: 2.3g	NAME: MOS SOCKET HOUSING TITRE: 16 POS. OR 8 POS. + 4 SHORT CIRCUIT PORTE-CLIPS MOS 16 A 8 VOIES SIZE: A1 CASE CODE: 00779 DRAWING NO: 953892 INCL. PLAN: 1 RESTRICTED TO RESERVE A
MATERIAL/MATIERE: SEE TABLE (voir tableau) FINISH/FINITION: SEE TABLE (voir tableau)	CUSTOMER DRAWING /PLAN CLIENT	UNIFORMITY: SCALE 5:1 FOUR. REFERENCE: ECHELLE 5:1	SHEET 1 OF 1 FEUILLE 1 DE 1

Mouser Electronics

Authorized Distributor

Click to View Pricing, Inventory, Delivery & Lifecycle Information:

[TE Connectivity:](#)

[953892-1](#)