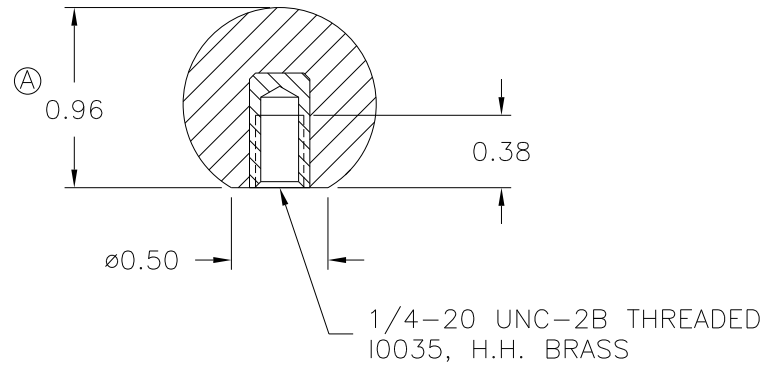
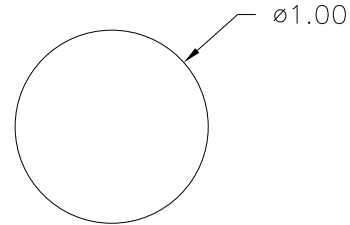


PART NAME: BALL KNOB SCALE: 1:1 DATE: 10/18/65 DR. BY LSP

THIS DRAWING IS THE PROPERTY OF DAVIES MOLDING COMPANY, IS SUBMITTED SOLELY AS A DESIGN OR ENGINEERING PROJECT. WE ACCEPT NO RESPONSIBILITY WHATSOEVER FOR THE PRACTICAL APPLICATION OF THE PIECES MADE TO THIS DESIGN.

DAVIES MOLDING DESIGNERS & MANUFACTURERS OF KNOBS, HANDLES, CASES & CUSTOM PLASTIC COMPONENTS

P/N	0030
M ^{NO.}	30
PINS	3003-11
SHIMS	1/4+1/4(30-J)
INSERT	I0035



MATERIAL: G.P. PHENOLIC (B11)
 COLOR: BLACK

TOLERANCES: UNLESS OTHERWISE SPECIFIED	DO NOT SCALE DRAWING	-	RE-DID REDRAW	TL	9/29/99
DECIMALS: X.XXX ± .005 X.XX ± .015	MM: X.XX ± 0.15MM X.X ± 0.4MM	A	.96 WAS .94	MP	7/6/99
FRACTIONS ± 1/64	ANG. ± 1°	-	CAD REDRAW	HD	7/29/92
CHANGES					

Mouser Electronics

Authorized Distributor

Click to View Pricing, Inventory, Delivery & Lifecycle Information:

[Davies Molding:](#)

[0030](#)