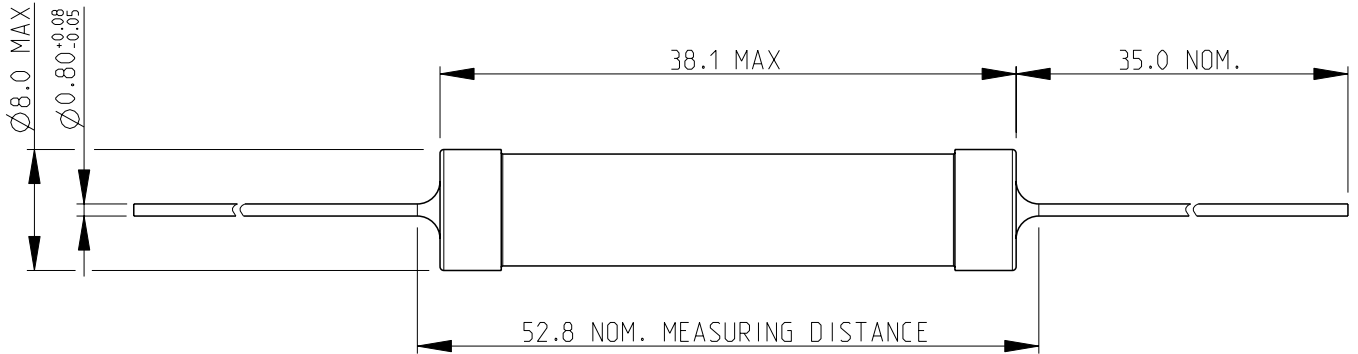


REVISIONS

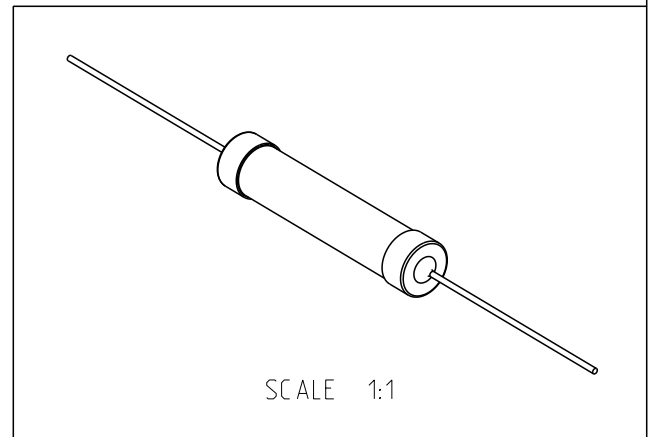
P	LTR	DESCRIPTION	DATE	DWN	APVD
	BA2	ECR-17-013465	13SEP2017	RK	TN

NOTES:

1. FOR FURTHER INFORMATION SEE DATA SHEET FOR C SERIES-HIGH POWER RESISTORS
2. WEIGHT 0.400 Kg PER 100 PIECES



RoHS Compliant



2008

RELEASED FOR PUBLICATION

ALL RIGHTS RESERVED.

THIS DRAWING IS UNPUBLISHED.

BY -

© COPYRIGHT 2008

DIMENSIONS: mm	DWN SUBHASH.M	16-Sep-08	MATERIAL	-	FINISH	-	
	CHK PRAKASH.S	16-Sep-08					
TOLERANCES UNLESS OTHERWISE SPECIFIED:	APVD STEPHEN.P	16-Sep-08					
0 PLC $\pm 0.2$	PRODUCT SPEC	-	NAME HIGH POWER RESISTORS SERIES C10				
1 PLC $\pm 0.1$	APPLICATION SPEC	-					
2 PLC $\pm$	WEIGHT	-	SIZE	A 4	CAGE CODE	00779	
3 PLC $\pm$		-	DRAWING NO	C=1623773		RESTRICTED TO	-
4 PLC $\pm$			CUSTOMER DRAWING	SCALE	2:1	SHEET	1 OF 1
ANGLES $\pm 5^\circ$							

# Mouser Electronics

Authorized Distributor

Click to View Pricing, Inventory, Delivery & Lifecycle Information:

[TE Connectivity:](#)

[C1033KJL](#)