

Schottky Diode Gen ²

preliminary

$$V_{RRM} = 45V$$

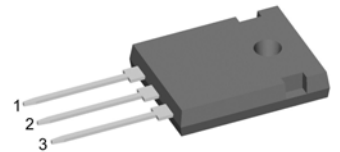
$$I_{FAV} = 2x \ 40A$$

$$V_F = 0.59V$$

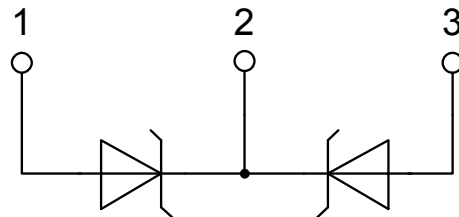
High Performance Schottky Diode
Low Loss and Soft Recovery
Common Cathode

Part number

DSB80C45HB



Backside: cathode

**Features / Advantages:**

- Very low V_f
- Extremely low switching losses
- Low I_{rm} values
- Improved thermal behaviour
- High reliability circuit operation
- Low voltage peaks for reduced protection circuits
- Low noise switching

Applications:

- Rectifiers in switch mode power supplies (SMPS)
- Free wheeling diode in low voltage converters

Package: TO-247

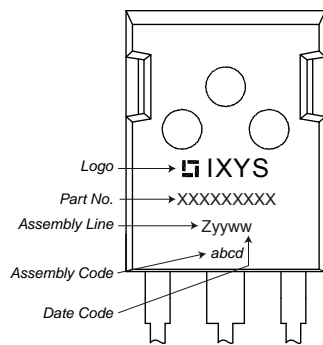
- Industry standard outline
- RoHS compliant
- Epoxy meets UL 94V-0

Schottky				Ratings			
Symbol	Definition	Conditions		min.	typ.	max.	Unit
V_{RSM}	max. non-repetitive reverse blocking voltage					45	V
V_{RRM}	max. repetitive reverse blocking voltage					45	V
I_R	reverse current, drain current	$V_R = 45\text{ V}$		$T_{VJ} = 25^\circ\text{C}$		15	mA
		$V_R = 45\text{ V}$		$T_{VJ} = 100^\circ\text{C}$		150	mA
V_F	forward voltage drop	$I_F = 40\text{ A}$		$T_{VJ} = 25^\circ\text{C}$		0.62	V
		$I_F = 80\text{ A}$				0.90	V
		$I_F = 40\text{ A}$		$T_{VJ} = 125^\circ\text{C}$		0.59	V
		$I_F = 80\text{ A}$				0.88	V
I_{FAV}	average forward current	$T_C = 125^\circ\text{C}$	rectangular	$T_{VJ} = 150^\circ\text{C}$		40	A
V_{FO}	threshold voltage			$T_{VJ} = 150^\circ\text{C}$		0.31	V
r_F	slope resistance	} for power loss calculation only				7	mΩ
R_{thJC}	thermal resistance junction to case					0.7	K/W
R_{thCH}	thermal resistance case to heatsink				0.25		K/W
P_{tot}	total power dissipation			$T_C = 25^\circ\text{C}$		180	W
I_{FSM}	max. forward surge current	$t = 10\text{ ms}; (50\text{ Hz}), \text{ sine}; V_R = 0\text{ V}$		$T_{VJ} = 45^\circ\text{C}$		600	A
C_J	junction capacitance	$V_R = 5\text{ V}$	$f = 1\text{ MHz}$	$T_{VJ} = 25^\circ\text{C}$		1.38	nF
E_{AS}	non-repetitive avalanche energy	$I_{AS} = \text{tbd A}$	$L = \text{tbd } \mu\text{H}$	$T_{VJ} = 25^\circ\text{C}$			mJ
I_{AR}	repetitive avalanche current	$V_A = 1.5 \cdot V_R$ typ.: $f = 10\text{ kHz}$					A

preliminary

Package TO-247			Ratings			
Symbol	Definition	Conditions	min.	typ.	max.	Unit
I_{RMS}	RMS current	per terminal ¹⁾			50	A
T_{VJ}	virtual junction temperature		-55		150	°C
T_{op}	operation temperature		-55		125	°C
T_{stg}	storage temperature		-55		150	°C
Weight				6		g
M_D	mounting torque		0.8		1.2	Nm
F_C	mounting force with clip		20		120	N

Product Marking



Part number

- D = Diode
- S = Schottky Diode
- B = ultra low VF
- 80 = Current Rating [A]
- C = Common Cathode
- 45 = Reverse Voltage [V]
- HB = TO-247AD (3)

Ordering	Part Number	Marking on Product	Delivery Mode	Quantity	Code No.
Standard	DSB80C45HB	DSB80C45HB	Tube	30	504883

Equivalent Circuits for Simulation

* on die level

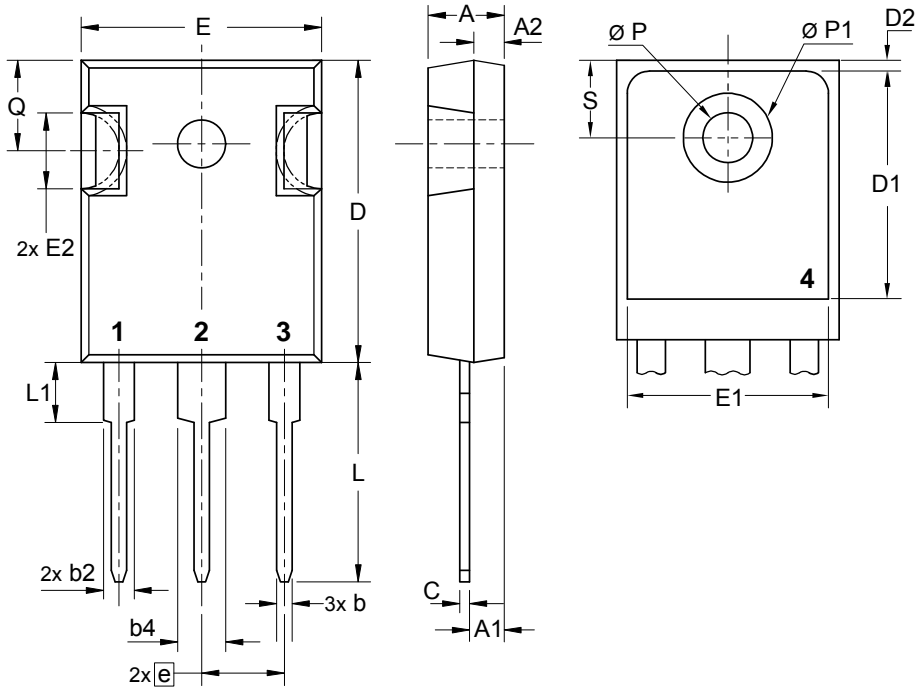
$T_{VJ} = 150\text{ °C}$



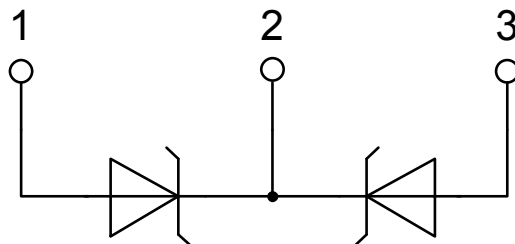
Schottky

$V_{0\max}$	threshold voltage	0.31	V
$R_{0\max}$	slope resistance *	4.5	mΩ

Outlines TO-247



Sym.	Inches		Millimeter	
	min.	max.	min.	max.
A	0.185	0.209	4.70	5.30
A1	0.087	0.102	2.21	2.59
A2	0.059	0.098	1.50	2.49
D	0.819	0.845	20.79	21.45
E	0.610	0.640	15.48	16.24
E2	0.170	0.216	4.31	5.48
e	0.215 BSC		5.46 BSC	
L	0.780	0.800	19.80	20.30
L1	-	0.177	-	4.49
Ø P	0.140	0.144	3.55	3.65
Q	0.212	0.244	5.38	6.19
S	0.242 BSC		6.14 BSC	
b	0.039	0.055	0.99	1.40
b2	0.065	0.094	1.65	2.39
b4	0.102	0.135	2.59	3.43
c	0.015	0.035	0.38	0.89
D1	0.515	-	13.07	-
D2	0.020	0.053	0.51	1.35
E1	0.530	-	13.45	-
Ø P1	-	0.29	-	7.39



Mouser Electronics

Authorized Distributor

Click to View Pricing, Inventory, Delivery & Lifecycle Information:

[IXYS:](#)

[DSB80C45HB](#)