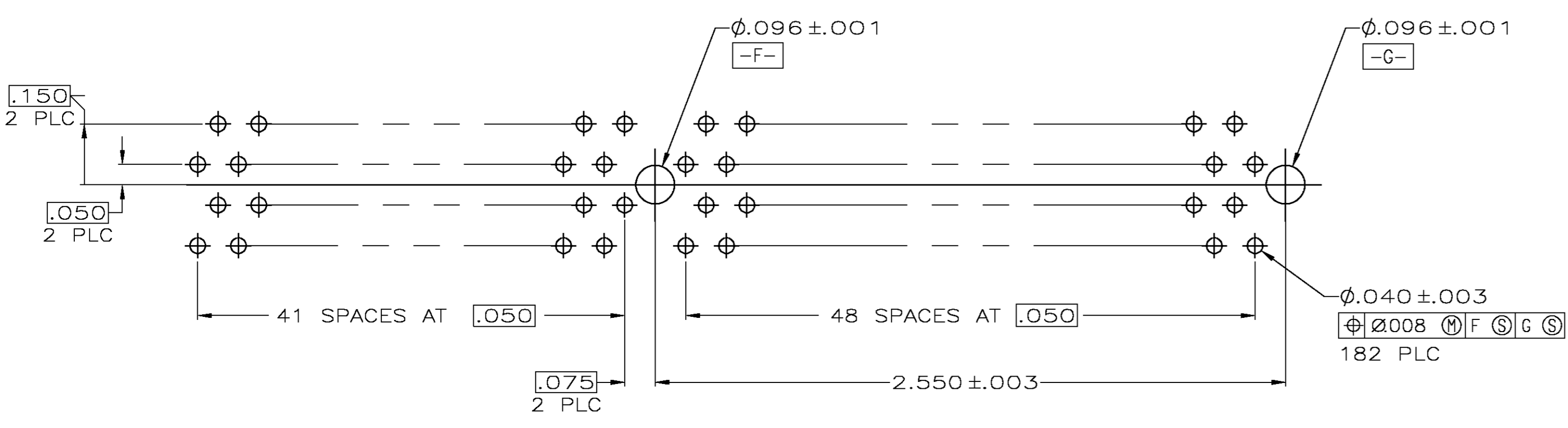
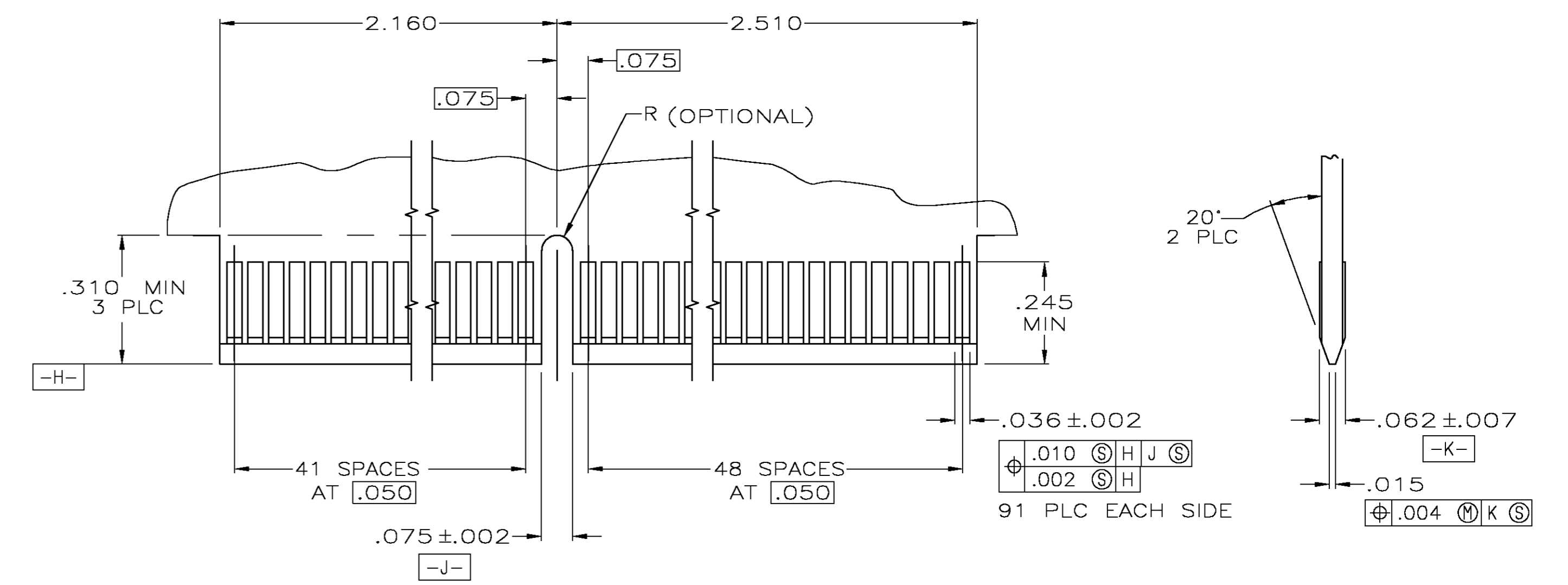
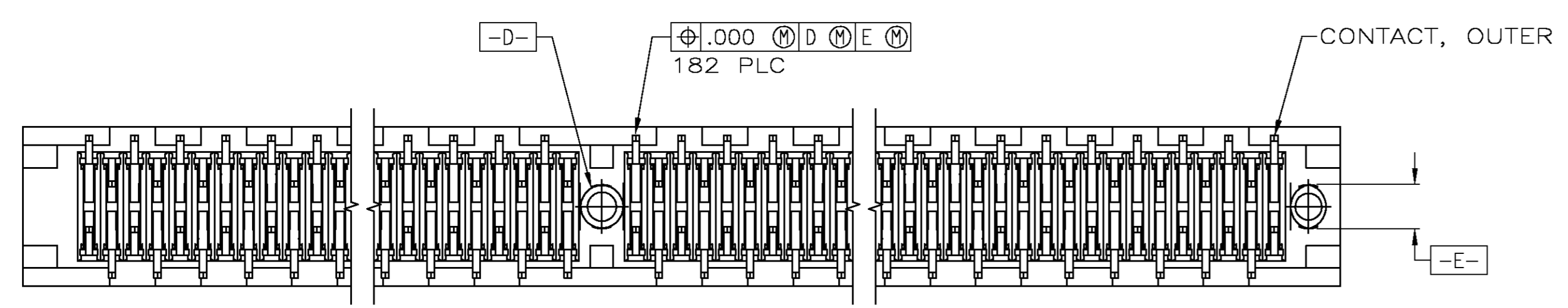


- 1 HOUSING: HIGH TEMPERATURE THERMOPLASTIC. COLOR: BROWN.
- 2 CONTACT: PHOSPHOR BRONZE.
- 3 CONTACT FINISH: .000100 MIN NICKEL ALL OVER.
.000030 MIN GOLD OVER NICKEL IN CONTACT AREA.
.000100 MIN MATTE TIN OVER NICKEL ON SOLDER TAILS.
- 4 DISTANCE FROM CONTACT POINT TO BOTTOM OF CARD SLOT.
- 5 AMP PART NUMBER, DATE CODE AND CSA LOGO MARKED IN APPROXIMATE AREA SHOWN.



RECOMMENDED CONNECTOR MOUNTING HOLE PATTERN
(CONNECTOR SIDE SHOWN)

.14	5650092-2
.10	5650092-1
W	PART NUMBER

THIS DRAWING IS A CONTROLLED DOCUMENT.		DRN AL FRANTUM 24 JUN 05		Tyco Electronics Corporation Harrisburg, Pa 17105-3608
DIMENSIONS: INCHES		OK AL FRANTUM 24 JUN 05		NAME
TOLERANCES UNLESS OTHERWISE SPECIFIED:		PRODUCT SPEC 108-14034	CONNECTOR ASSEMBLY, 91 DUAL POSITION, .050 SERIES,	
0 PLC ± -		APPLICATION SPEC 114-26012	SIZE	CAGE CODE DRAWING NO
1 PLC ± .01		WEIGHT -	A1	00779 C=5650092
2 PLC ± .005			CUSTOMER DRAWING	SCALE 4:1 SHEET 1 OF 1 REV 0
3 PLC ± .005				
4 PLC ± .005				
ANGLES ± 2				
FINISH				

Mouser Electronics

Authorized Distributor

Click to View Pricing, Inventory, Delivery & Lifecycle Information:

[TE Connectivity:](#)

[5650092-1](#)