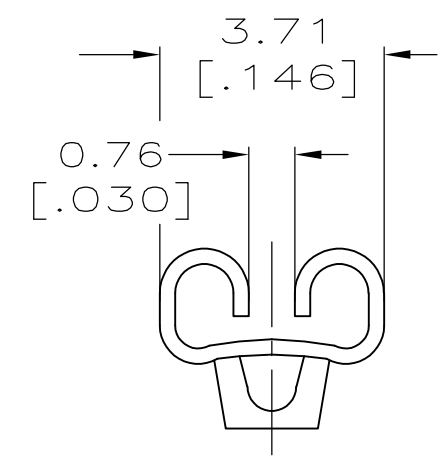
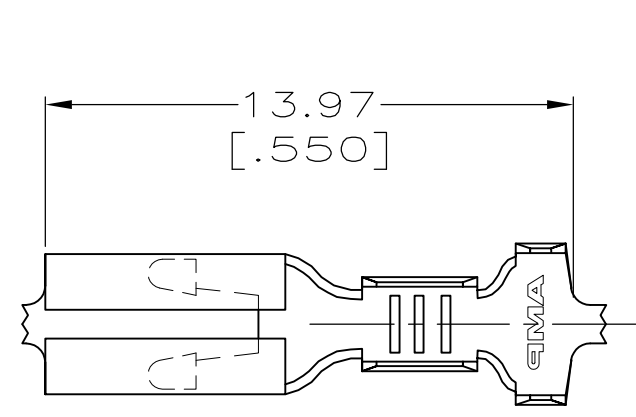
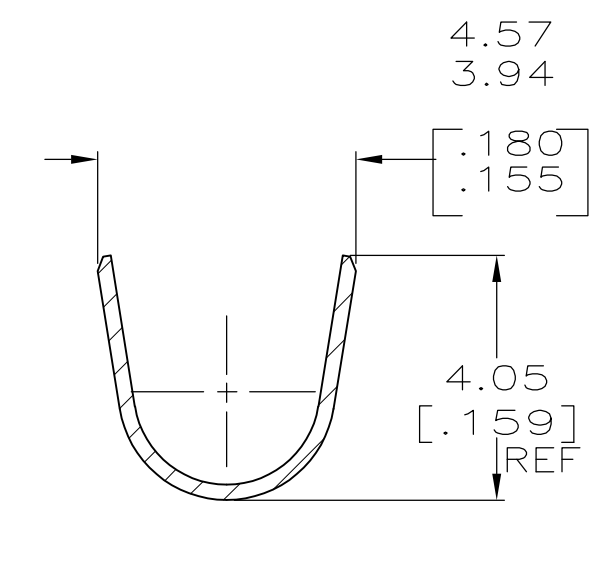
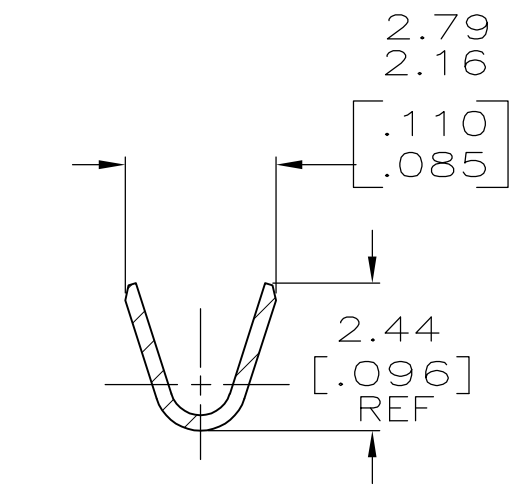
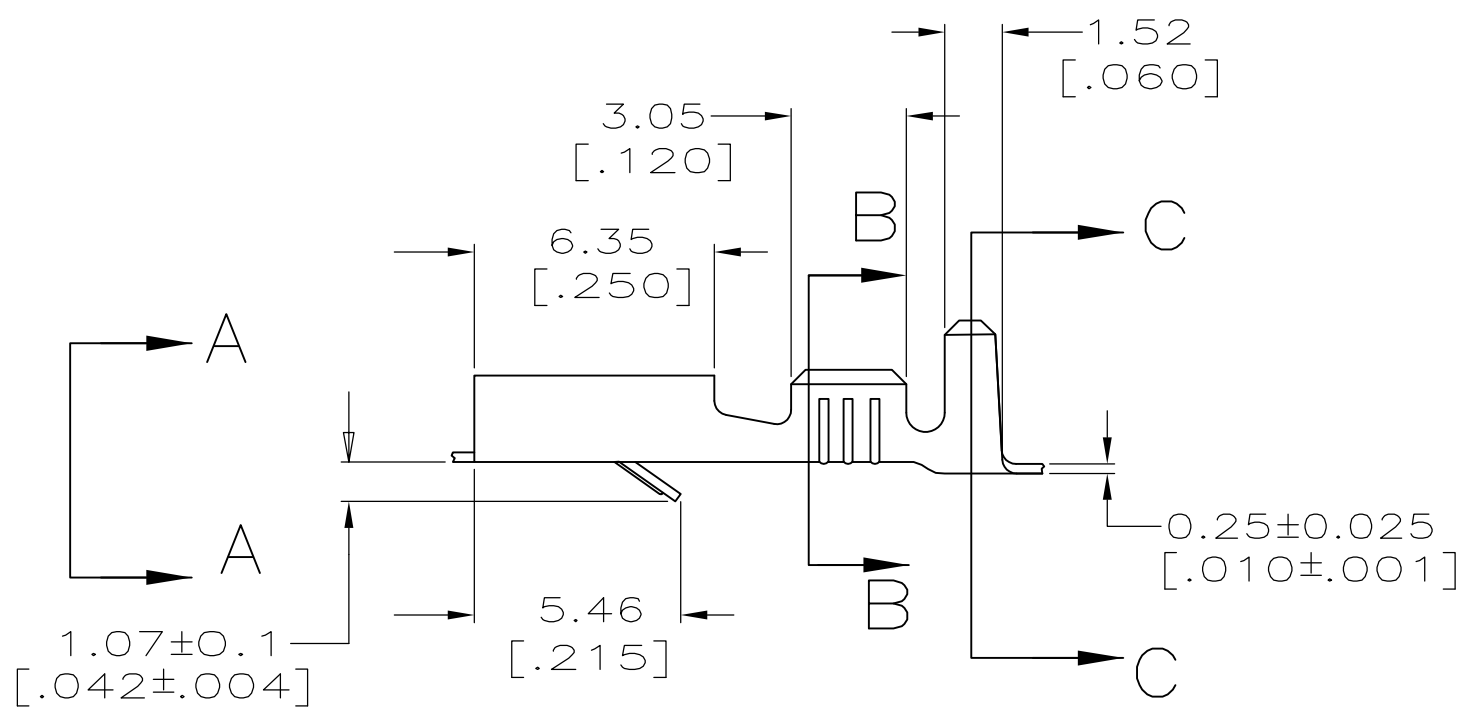


THIS DRAWING IS UNPUBLISHED. RELEASED FOR PUBLICATION
 © COPYRIGHT - By - ALL RIGHTS RESERVED.

LOC	DIST	REVISIONS			
P	LTR	DESCRIPTION	DATE	DWN	APVD
AF	50	M	REVISED PER ECR-13-005733	27AUG2013	KH PD



- 1 CONTINUOUS STRIP ON REELS.
- 2 MATING TAB THK TO BE 0.51±0.025[.020±.001].
- 3 WIRE SIZE IS [#22-#18] AWG.
- 4 INSULATION RANGE IS 2.03-3.05 [.080-.120] DIA.



	PRE-TIN	63241-3
OBSOLETE	0.002032 [.000080] MIN TIN	63241-2
	-	63241-1
	FINISH	PART NO.

F	3.56 [.140]	3.96 [.156]	F	1.78 [.070]	0.94 [.037]	1.02 [.040]	1.14 [.045]	±.051±.002 HEIGHT	WIRE
TYPE	WIDTH	STRIP LENGTH ±0.38 ±[.015]	TYPE	WIDTH					
INSUL BARREL CRIMP		WIRE BARREL CRIMP							

THIS DRAWING IS A CONTROLLED DOCUMENT.

DWN	JR RUTH	3/27/97	TE Connectivity RECEPTACLE, FASTIN-FASTON, 2.79 [.110] SERIES
CHK	MS FEHER	3/27/97	
APVD	J GILLESPIE	3/27/97	
PRODUCT SPEC	-		
APPLICATION SPEC	114-2065		NAME
WEIGHT	-		SIZE
CUSTOMER DRAWING			A300779 C-63241
SCALE			5:1
SHEET			1 OF 1
REV			M

Mouser Electronics

Authorized Distributor

Click to View Pricing, Inventory, Delivery & Lifecycle Information:

[TE Connectivity:](#)

[63241-3](#) [63241-3 \(Mouser Reel\)](#)