

PART NAME

GRABBER (STYLE D)

PART No.

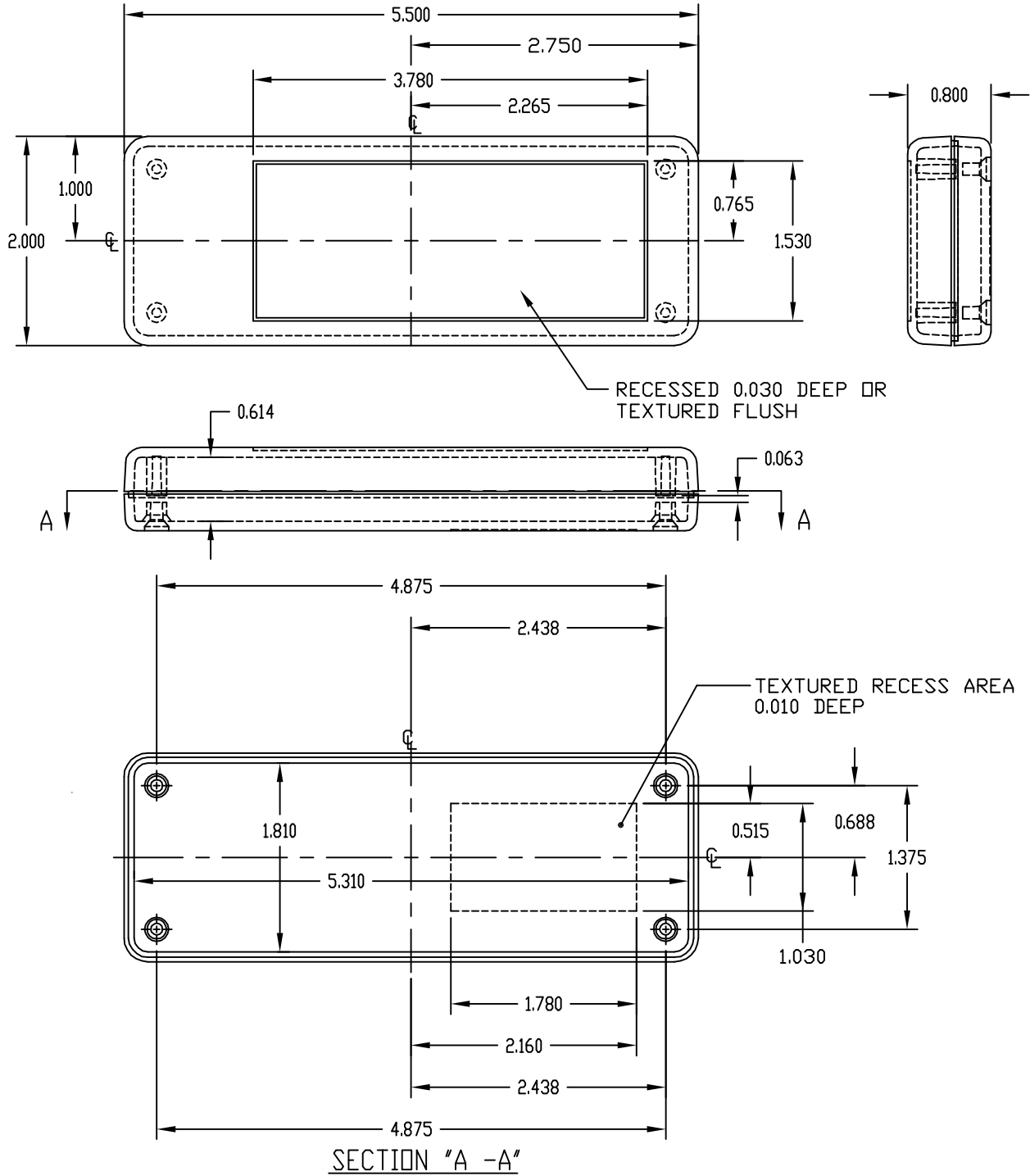
HH-3463 & HH-3464

MATERIAL: ABS THERMOPLASTIC, UL94V-0  
 FLAMMABILITY RATING (UL FILE #E121562),  
 SUGGESTED SERVICE TEMPERATURE -20° C  
 TO +70° C

FINISH: BLACK TEXTURED

FOUR (4) #4 x 0.500" LG. SCREWS (BLACK)  
 SUPPLIED FOR ASSEMBLING COVER TO BODY

NOTE: ALL DIMENSIONS HAVE ±0.010  
 TOLERANCE UNLESS OTHERWISE  
 SPECIFIED



NOTES:

- 1.) PC BOARD CAN BE HELD IN PLACE BY BEING SANDWICHED BETWEEN TOP & BOTTOM CASE (.063 NOM. BOARD THICKNESS)

PART NO.

HH-3463 .030 DEEP RECESSED COVER

HH-3464 FLUSH TEXTURED COVER

# Mouser Electronics

Authorized Distributor

Click to View Pricing, Inventory, Delivery & Lifecycle Information:

[Bud Industries:](#)

[HH-3463](#) [HH-3464](#)