

THIS DRAWING IS UNPUBLISHED.

RELEASED FOR PUBLICATION

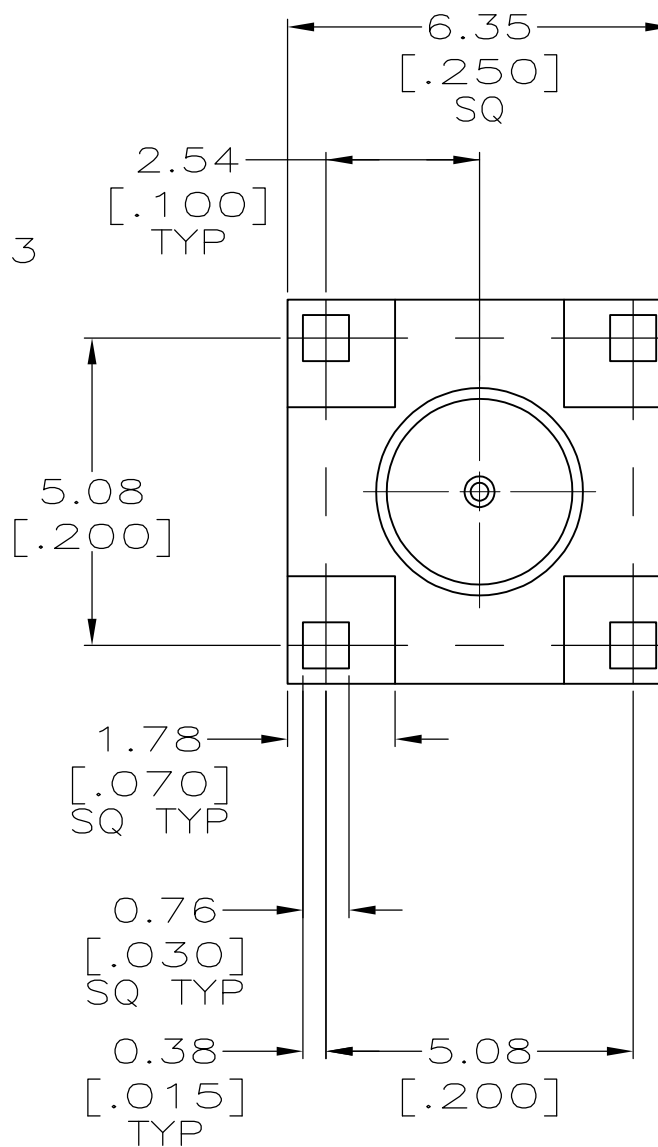
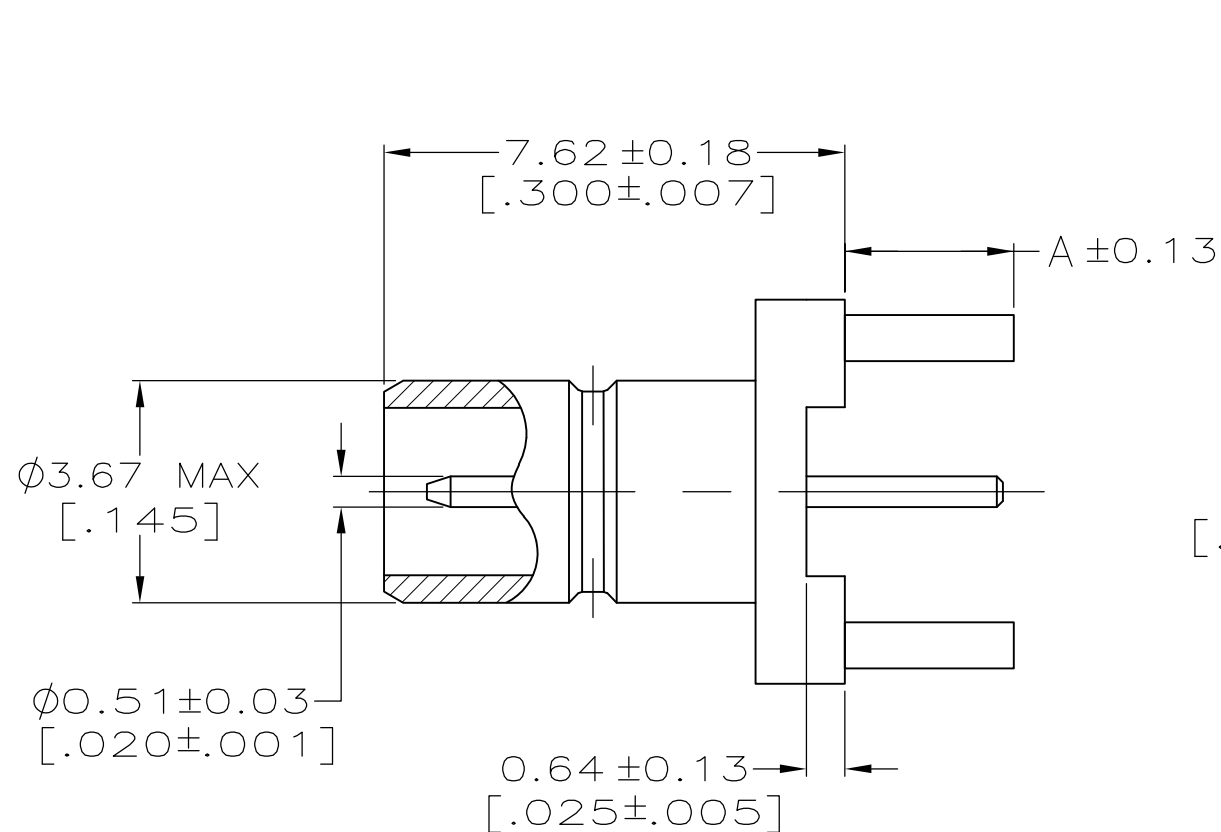
ALL RIGHTS RESERVED.

© COPYRIGHT 2005 By -

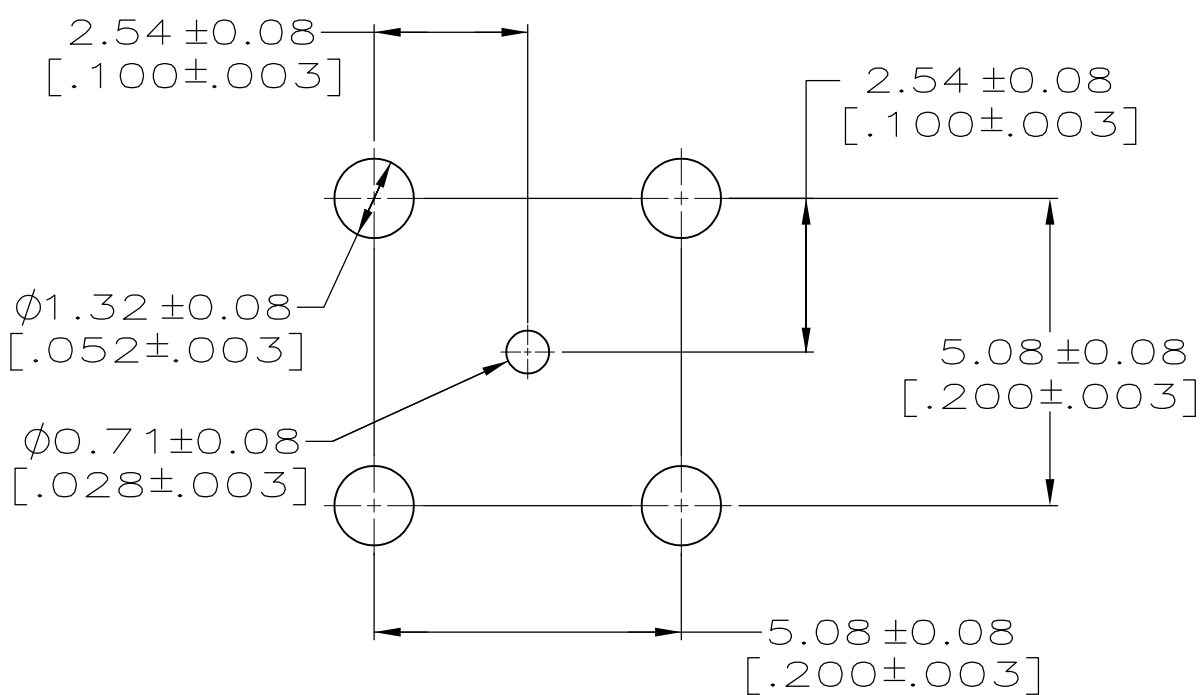
LOC  
AJ 16

REVISIONS

P	LTR	DESCRIPTION	DATE	DWN	APVD
	B1	ECR-12-005726	27MAR12	RK	MY



- ⚠️ MATERIALS:  
BODY: BRASS PER QQ-B-626.  
CONTACT: BRASS PER QQ-B-626.  
DIELECTRIC: PTFE PER ASTM-D-1710.
- ⚠️ FINISHES:  
BODY: GOLD PER MIL-G-45204.  
CONTACT: GOLD PER MIL-G-45204.
- ⚠️ FINISHES:  
BODY: GOLD FLASH PER MIL-G-45204  
OVER NICKEL PER QQ-N-290.  
CONTACT: GOLD PER MIL-G-45204.
- ⚠️ SEE SEPERATE RESTRICTED CUSTOMER DRAWING WITH THIS PART NUMBER.



OBSOLETE

—	—	415504-6
3.05 [.120]	⚠️ 3	415504-4
3.05 [.120]	⚠️ 2	415504-3
2.11 [.083]	⚠️ 3	415504-2
2.11 [.083]	⚠️ 2	415504-1

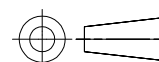
A

FINISH

PART NUMBER

THIS DRAWING IS A CONTROLLED DOCUMENT.

DIMENSIONS:  
mm [INCHES]



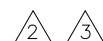
TOLERANCES UNLESS OTHERWISE SPECIFIED:

0 PLC	± -
1 PLC	± -
2 PLC	± 0.05 [.002]
3 PLC	± -
4 PLC	± -
ANGLES	± -

MATERIAL



FINISH



DWN 27JUN96

B.MOYER

CHK 28JUN96

G. MICHAEL

APVD 28JUN96

G. MICHAEL

PRODUCT SPEC

APPLICATION SPEC

WEIGHT

27JUN96

28JUN96

28JUN96

NAME

NAME

NAME

NAME

NAME

NAME

NAME

NAME

NAME

NAME

TE Connectivity



STRAIGHT JACK, PCB,  
75 OHM, MINI-SMB

SIZE

CAGE CODE

DRAWING NO

RESTRICTED TO

A3

00779

C-415504

CUSTOMER DRAWING

SCALE 8:1

SHEET 1 OF 1

REV B1

RECOMMENDED PCB CONFIGURATION

# Mouser Electronics

Authorized Distributor

Click to View Pricing, Inventory, Delivery & Lifecycle Information:

[TE Connectivity:](#)

[415504-3](#)