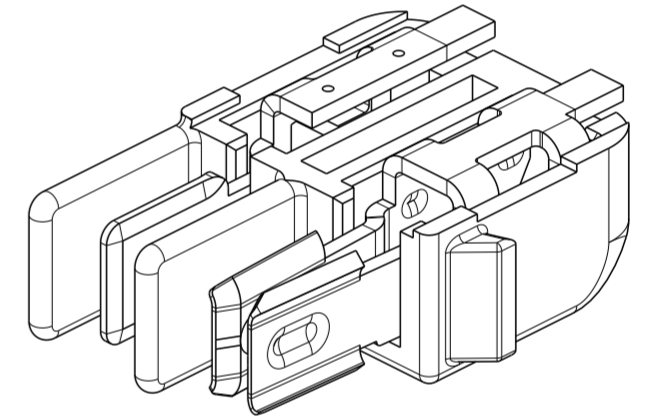
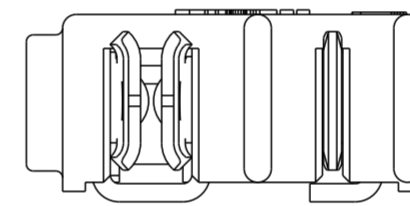
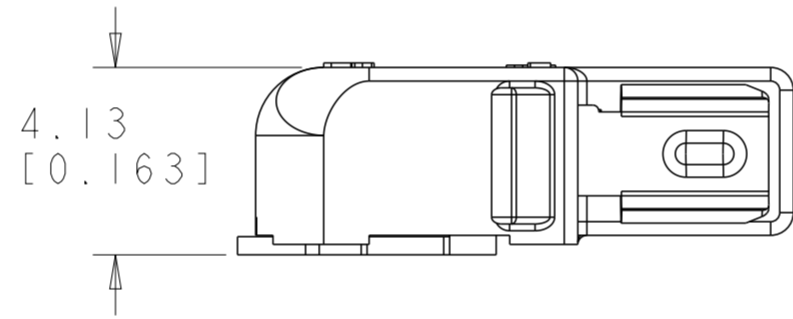
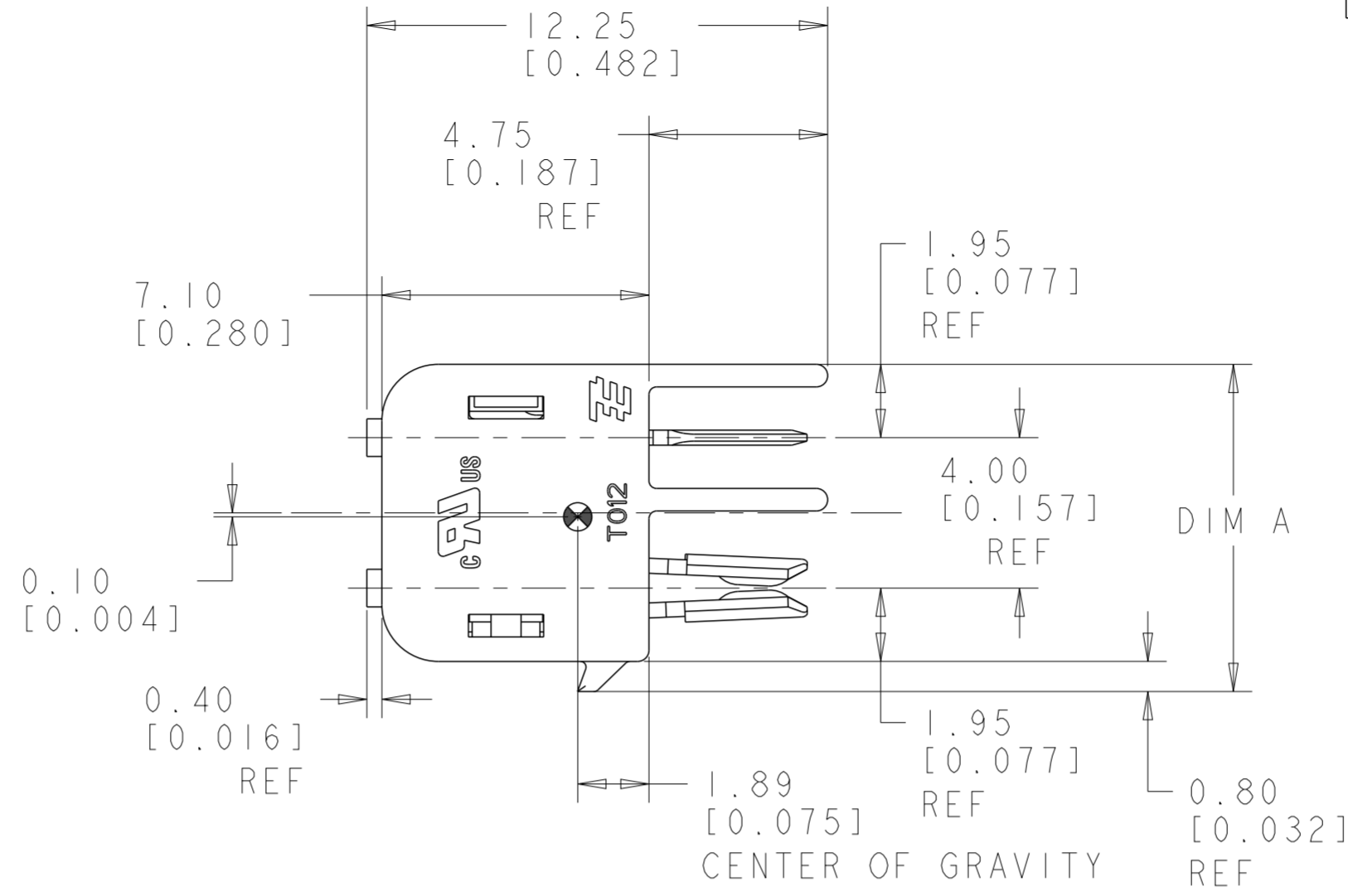


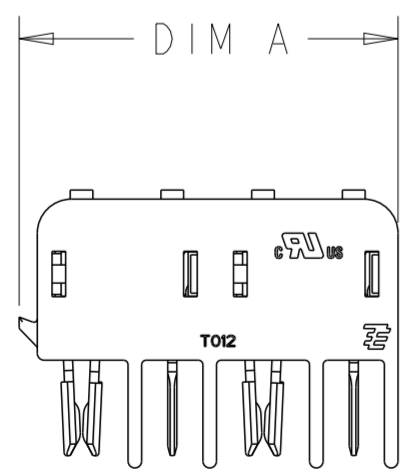
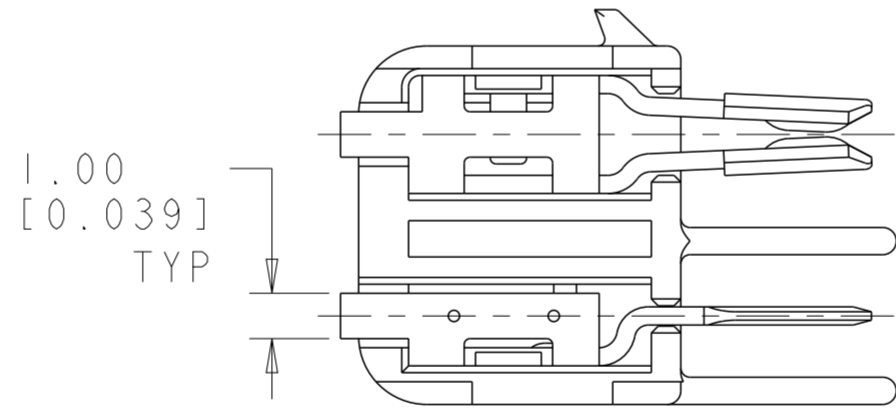
LOC		DIST		REVISIONS			
P	LTR	DESCRIPTION	DATE	DWN	APVD		
B1		REVISED PER ECO-11-004587	11MAR2011	RK	HMR		
B2		REVISED PER ECR-11-015323	29JUL2011	RK	DD		
B3		REVISED PER ECR-14-017492	25NOV2014	RS	DD		

NOTES:

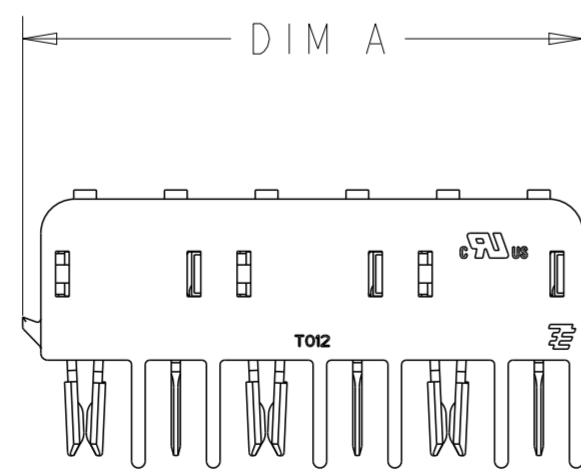
- 1. MATERIALS AND FINISH
  - HOUSING: LCP
  - CONTACTS: COPPER ALLOY, FINISH: TIN
- 2. PRODUCT TO COMPLY WITH DIRECTIVE 2002/95/EC (ROHS)
- 3. PACKAGED IN TAPE AND REEL PER EIA-481 SPECIFICATIONS
- 4. SEE APPLICATION SPECIFICATION 114-13225 FOR THE TE APPLICATION REQUIREMENTS.



2058703-1/  
1-2058703-1  
SHOWN



2058703-2/  
1-2078503-2  
SCALE 3:1



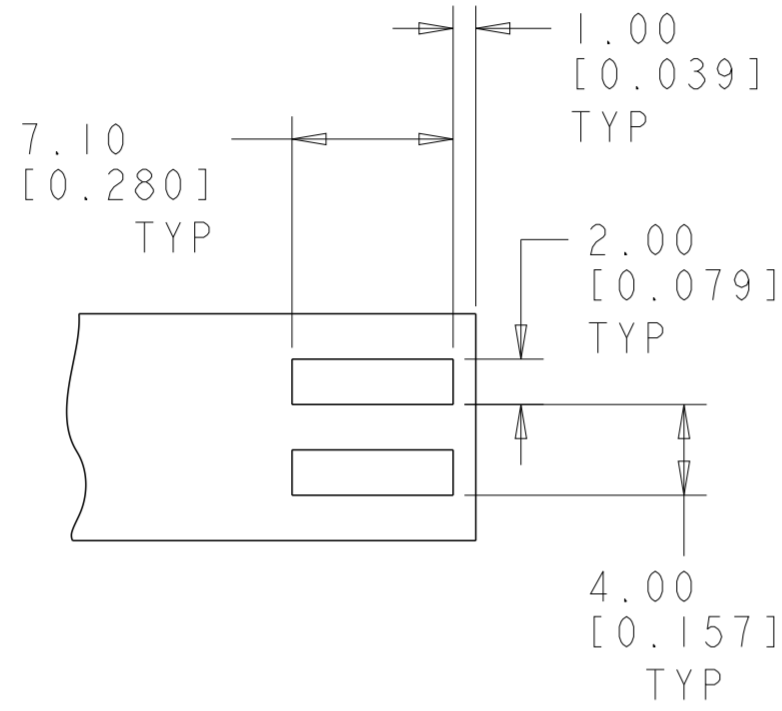
2058703-3/  
1-2078503-3  
SCALE 3:1

6	BLACK	24.70	1-2058703-3
4	BLACK	16.70	1-2058703-2
2	BLACK	8.70	1-2058703-1
6	NATURAL	24.70	2058703-3
4	NATURAL	16.70	2058703-2
2	NATURAL	8.70	2058703-1
POSITION	COLOR	DIM A	PART NO.

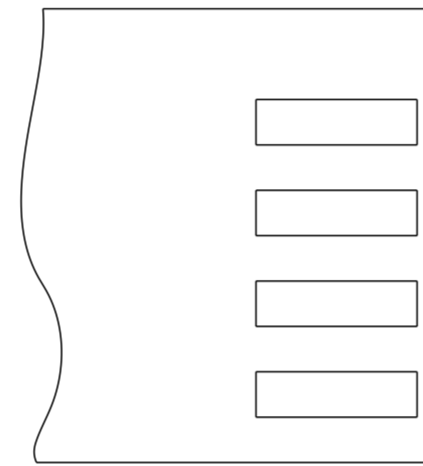
THIS DRAWING IS A CONTROLLED DOCUMENT.		DWN S FISHER 18AUG2008	TE Connectivity	
		CHK R NARANG 18AUG2008		
DIMENSIONS: mm		APVD -	NAME	
TOLERANCES UNLESS OTHERWISE SPECIFIED:		PRODUCT SPEC 108-2342	CONNECTOR ASSEMBLY, HERMAPHRODITIC BLADE AND RECEPTACLE, WITH LATCH	
0 PLC ±		APPLICATION SPEC 114-13225	SIZE A2	CAGE CODE 00779
1 PLC ±0.13		WEIGHT -	DRAWING NO C-2058703	RESTRICTED TO -
2 PLC ±0.013		CUSTOMER DRAWING	SCALE 6:1	SHEET 1 OF 2
3 PLC ±0.013				REV B3
4 PLC ±				
ANGLES ±1°				
FINISH				

THIS DRAWING IS UNPUBLISHED. RELEASED FOR PUBLICATION 20  
 © COPYRIGHT 20 BY - ALL RIGHTS RESERVED.

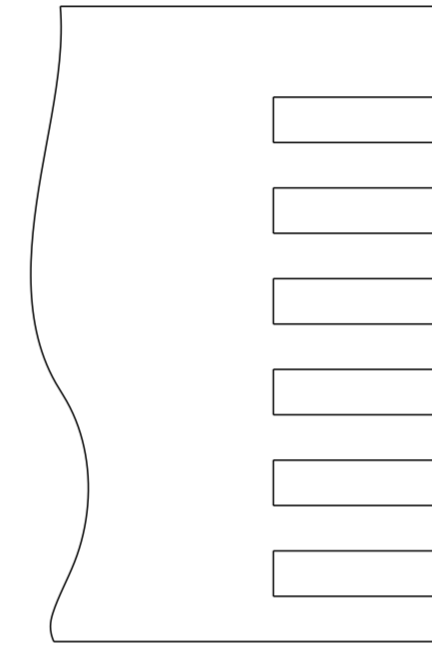
LOC		DIST		REVISIONS			
P	LTR	DESCRIPTION	DATE	DWN	APVD		
-	-	SEE SHEET 1	-	-	-		



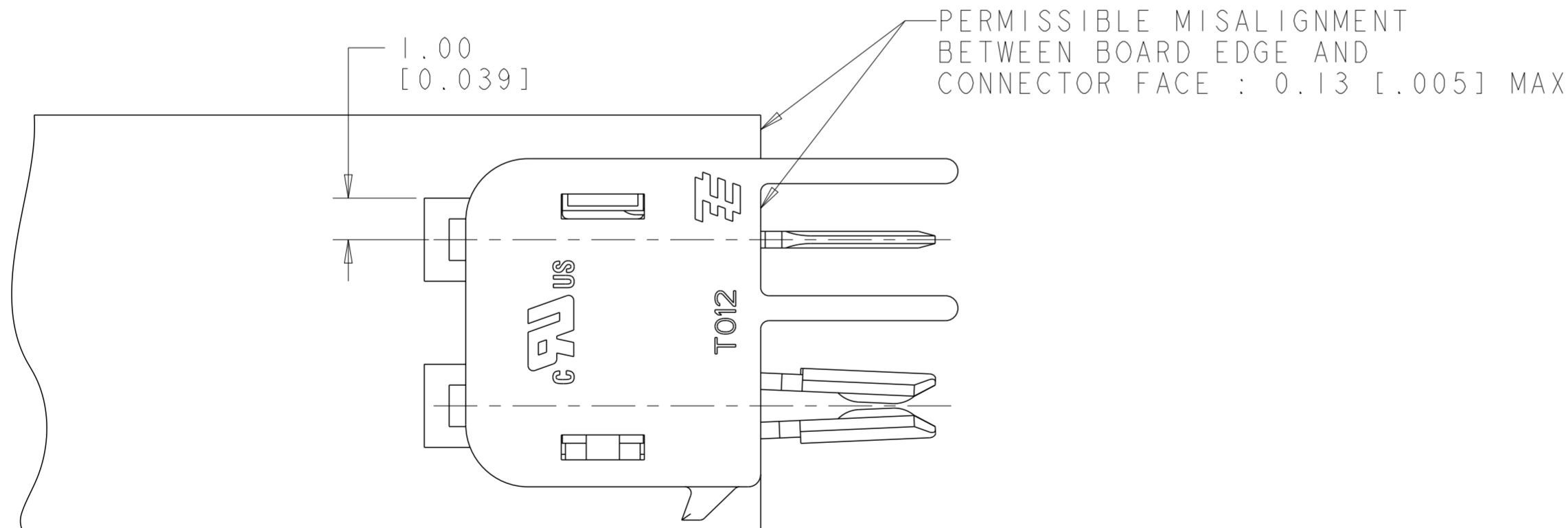
RECOMMENDED PCB LAYOUT FOR 2058703-1 & 1-2058703-1



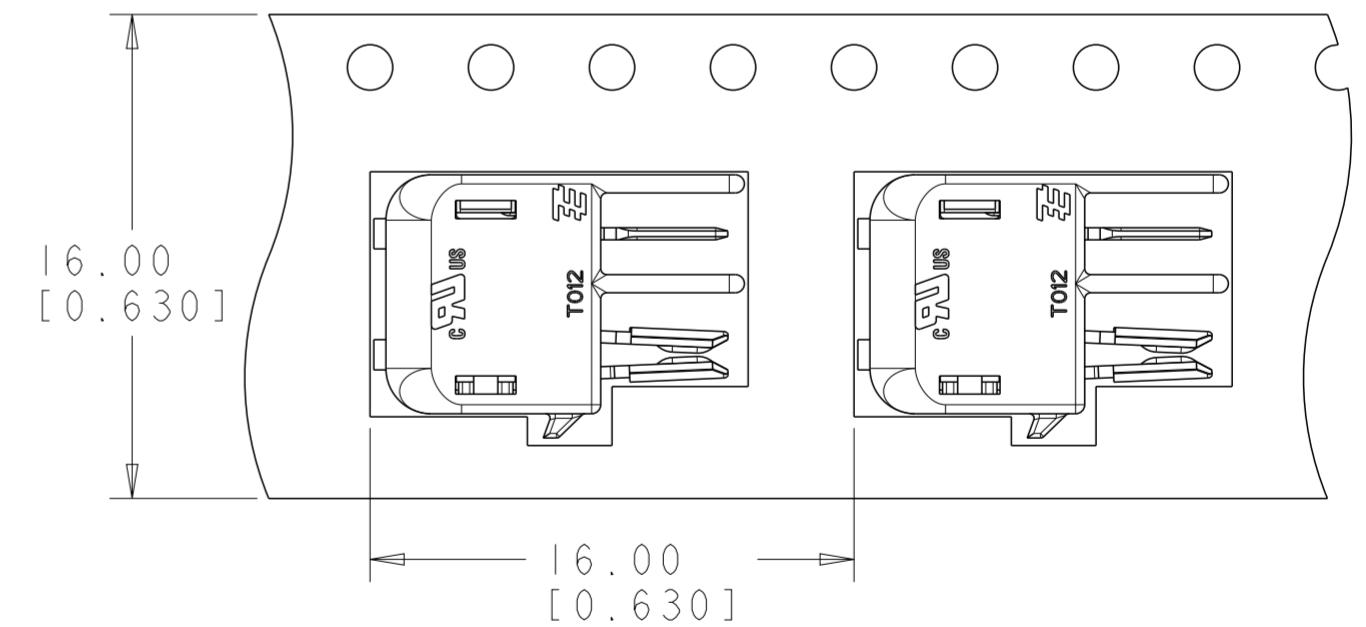
RECOMMENDED PCB LAYOUT FOR 2058703-2 & 1-2058703-2



RECOMMENDED PCB LAYOUT FOR 2058703-3 & 1-2058703-3



SCALE 8:1



TO BE PACKAGED AS SHOWN SCALE 4:1

THIS DRAWING IS A CONTROLLED DOCUMENT.		DWN S FISHER 18AUG2008	<b>STE</b> TE Connectivity	
		CHK R NARANG 18AUG2008		
DIMENSIONS:	TOLERANCES UNLESS OTHERWISE SPECIFIED:	APVD -	NAME	
mm	0 PLC ± 1 PLC ± 2 PLC ±0.13 3 PLC ±0.013 4 PLC ± ANGLES ±1° FINISH	PRODUCT SPEC 108-2342	CONNECTOR ASSEMBLY, HERMAPHRODITIC BLADE AND RECEPTACLE, WITH LATCH	
MATERIAL		APPLICATION SPEC 114-13225	SIZE A2	CAGE CODE 00779
		WEIGHT -	DRAWING NO C-2058703	RESTRICTED TO -
		CUSTOMER DRAWING	SCALE 6:1	SHEET 2 OF 2 REV B3

# Mouser Electronics

Authorized Distributor

Click to View Pricing, Inventory, Delivery & Lifecycle Information:

[TE Connectivity:](#)

[1-2058703-2](#)