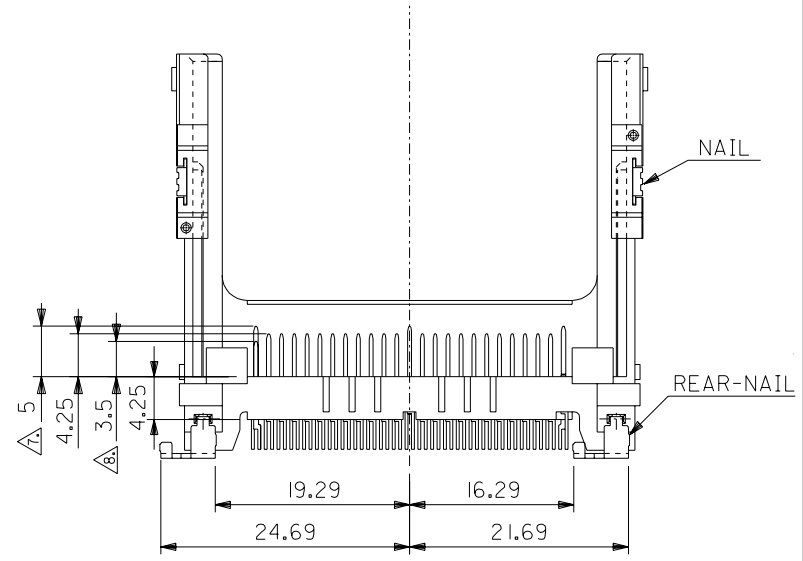
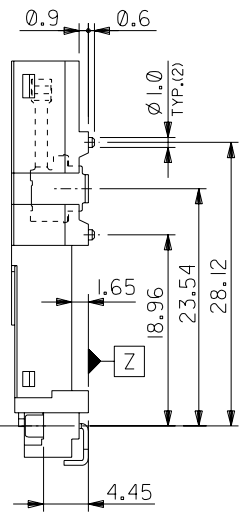
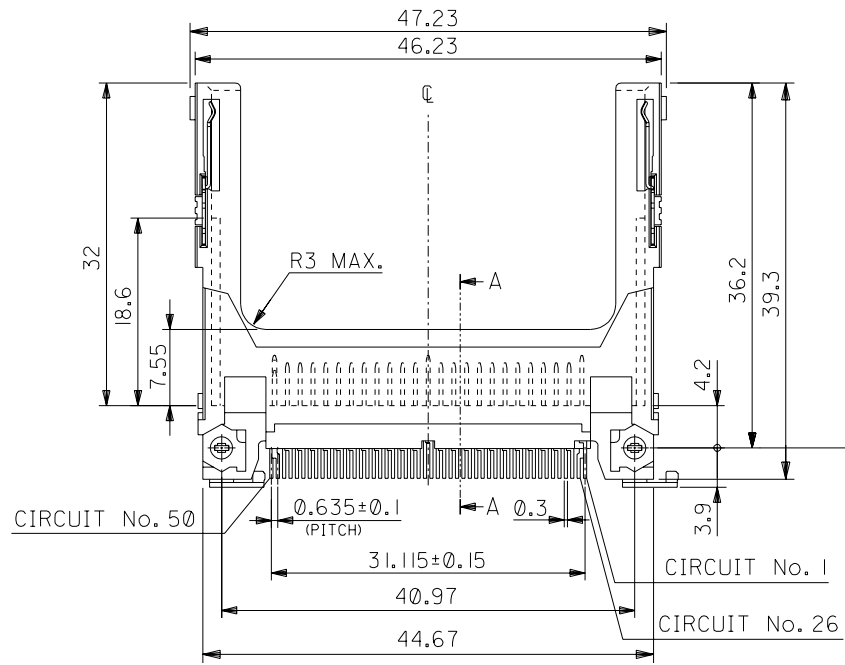
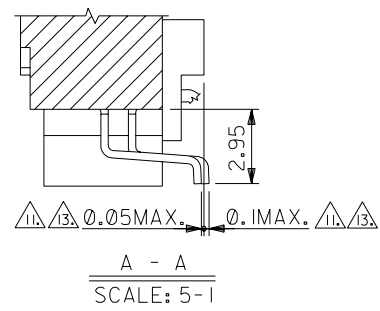
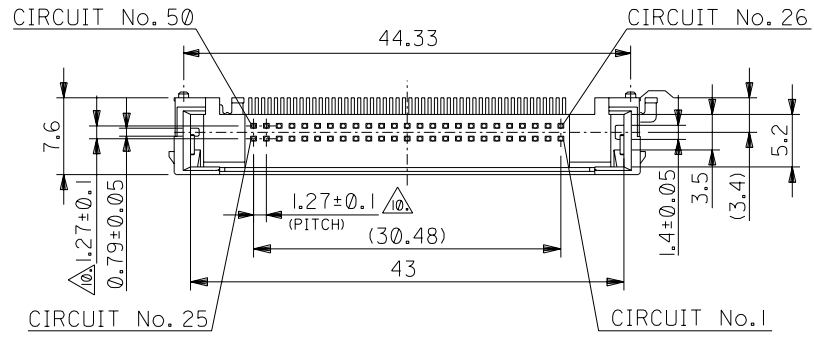


DWG. NO. SD-55358-014



DO NOT SCALE DRAWING

EC NO. DRWN: CHK: APPR:	EC NO. DRWN: CHK: APPR:	EC NO. DRWN: CHK: APPR:	EC NO. DRWN: CHK: APPR:
RELEASED EC NO. J2004-3952 DRWN: M.NABEI '04/04/22 CHK: K.TOJO '04/04/22 APPR: M.SASAO '04/04/22			

DESCRIPTION	MATERIAL 材料	FINISH 仕上り	WIRE RANGE 適用層被範囲	INS. RANGE 被覆外径
	SEE NOTES	SEE NOTES	#	#

GENERAL TOLERANCES: (UNLESS SPECIFIED) 一般公差	
10 UNDER 未満	±0.2
10 OVER 30 UNDER 以上 未満	±0.25
30 OVER 以上	±0.3
ANGLE 角度	±3°

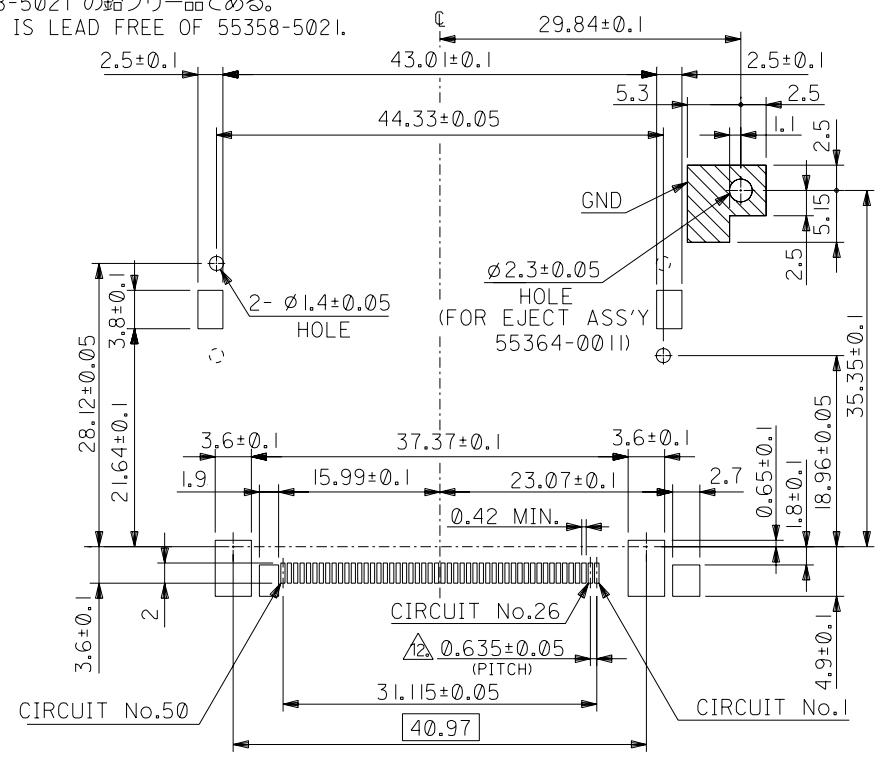
55358-5028		55358-5029		55358-50**	
HARD TRAY PACKAGE		MATERIAL No.		MODEL No.	
SCALE 2 - 1	DESIGN UNITS <input checked="" type="checkbox"/> mm <input type="checkbox"/> INCH	DIMENSIONS: <input type="checkbox"/> mm <input type="checkbox"/> INCH <input type="checkbox"/> mm <input checked="" type="checkbox"/> INCH ONLY		SHT	REV
DRAWN BY & DATE M.NABEI '04/04/22		TITLE: CF CARD CONN. 50P HEADER ASS'Y (TYPE I/II, NORMAL) -LEAD FREE-			
CHECKED BY & DATE K.TOJO '04/04/22		M.OLEX MOLEX INCORPORATED			
APPROVED BY & DATE M. Sasao '04/04/22		MATERIAL NO. SEE CHART	DRAWING NO. SD-55358-014	SHEET NO. 1 OF 2	
THIS DRAWING CONTAINS INFORMATION THAT IS PROPRIETARY TO MOLEX INCORPORATED AND SHOULD NOT BE USED WITHOUT WRITTEN PERMISSION.					SIZE B

SD-55358-014.S01

DWG. NO. SD-55358-014

- 注) 1. 材質 MATERIAL
ハウジング: ガラス入りLCP UL94V-0
HOUSING: LIQUID CRYSTAL POLYMER G.F. UL94V-0
ピン: リン青銅
PIN: PHOSPHOR BRONZE
ネール: リン青銅 (t0.3)
NAIL: PHOSPHOR BRONZE (t0.3)
リヤネール: リン青銅 (t0.48)
REAR-NAIL: PHOSPHOR BRONZE (t0.48)
2. メッキ仕様 PLATING
ピン 接点部: パラジウムニッケル下地、金メッキ
CONTACT AREA: GOLD OVER PALLADIUM-NICKEL
半田付け部: 錫メッキ
SOLDER TAIL AREA: TIN
下地メッキ: ニッケルメッキ
UNDERPLATING: NICKEL OVER ALL
ネール 接点部: 金メッキ
CONTACT AREA: GOLD
半田付け部: 錫メッキ
SOLDER TAIL AREA: TIN
下地メッキ: ニッケルメッキ
UNDERPLATING: NICKEL OVER ALL
リヤネール 錫メッキ
REAR-NAIL TIN
下地メッキ: ニッケルメッキ
UNDERPLATING: NICKEL OVER ALL
3. 推奨基板厚: t=0.8 MIN.
RECOMMENDED P.C.B. THICKNESS: t=0.8 MIN.
4. 適合カード厚: 3.3±0.1 (TYPE I) AND 5 MAX. (TYPE II)
RECOMMENDED CARD THICKNESS: 3.3±0.1 (TYPE I) AND 5 MAX. (TYPE II)
5. 適合カード幅: 42.8±0.1
RECOMMENDED CARD WIDTH: 42.8±0.1
6. ハウジング色: 黒
HOUSING COLOR: BLACK
7. 寸法適用極: 1,13,38,50
THIS DIMENSION APPLIES TO CIRCUIT NUMBERS 1,13,38 AND 50.
8. 寸法適用極: 25,26
THIS DIMENSION APPLIES TO CIRCUIT NUMBERS 25 AND 26.
9. ピンの倒れは、ピン根元を基準に全方向へ 0.1 MAX.とする。
PIN TIP LEAN TOWARD ANY DIRECTION NOT TO EXCEED 0.1 WHEN MEASURED FROM PIN BASE.
10. ピン根元に適用する。
THIS DIMENSION TO BE MEASURED AT PIN BASE.

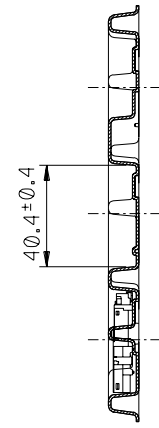
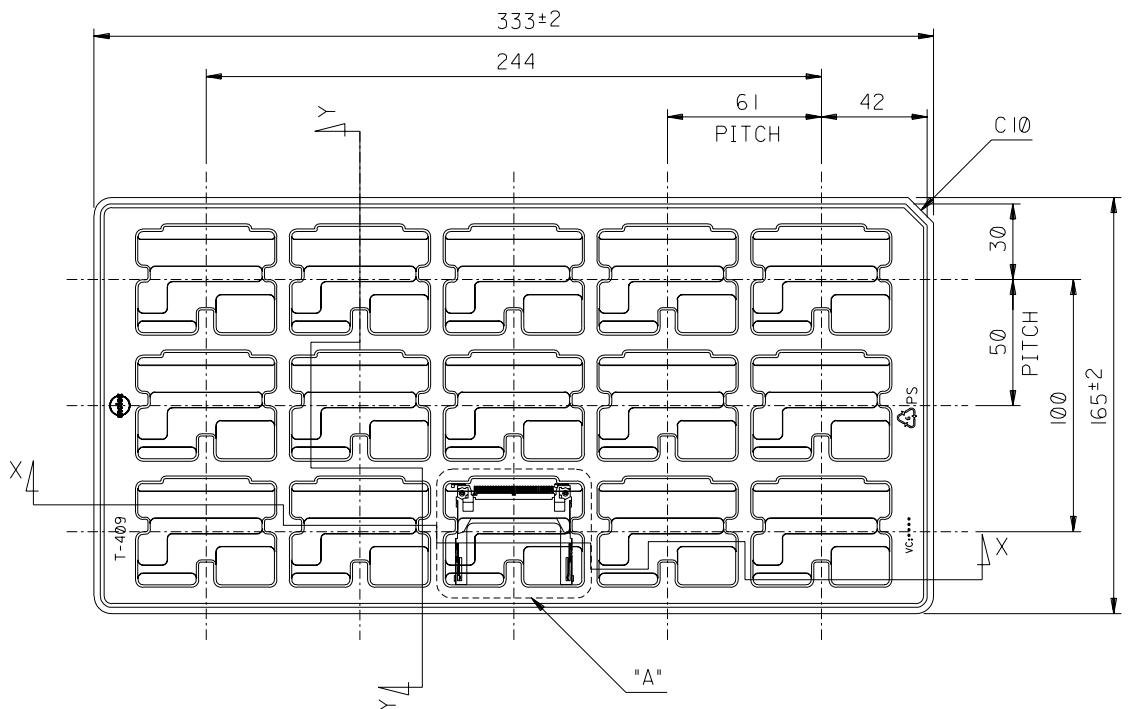
11. ソルダーテールは、Z面を基準とし上へ 0.05 下へ 0.1 の範囲にあり、且つソルダーテールの平坦度は、0.1 MAX. とし、テール先端にて測定する。
SOLDERTAILS TO BE WITHIN 0.05 UPWARD AND 0.1 DOWNWARD FROM Z-DATUM PLACE, AND COPLANARITY OF SOLDERTAILS TO BE WITHIN 0.1. MEASUREMENT POINT IS SOLDERTAILS TIP.
12. 公差非累積 NON-CUMULATIVE
13. テールとネール、リヤネールを併せた平坦度は、0.1 MAX.とする。
TOTAL COPLANARITY OF SOLDER TAILS, NAILS AND REAR-NAILS TO BE 0.1 MAX.
14. 本製品は 55358-5021 の鉛フリー品である。
THIS PRODUCT IS LEAD FREE OF 55358-5021.



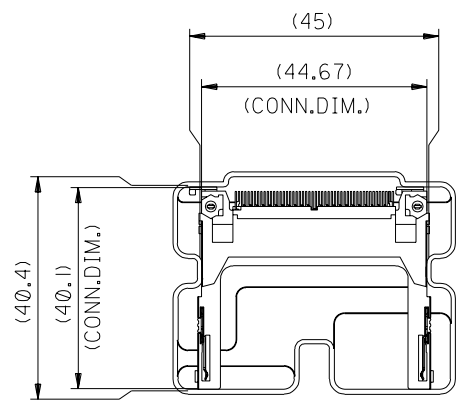
基板推奨寸法
RECOMMENDED P.C.B. LAYOUT

DO NOT SCALE DRAWING	EC NO. DRWN: CH'K: APPR:					DESCRIPTION MATERIAL 材料 SEE NOTES	GENERAL TOLERANCES: (UNLESS SPECIFIED) 一般公差		55358-50**		MODEL NO.		DIMENSIONS: <input type="checkbox"/> mm <input type="checkbox"/> INCH <input checked="" type="checkbox"/> mm ONLY		SHT REV			
	EC NO. DRWN: CH'K: APPR:						FINISH 仕上げ SEE NOTES	10 UNDER 未滿 ±0.2	10 OVER 30 UNDER 未滿 ±0.25	SCALE 2 - 1 <input checked="" type="checkbox"/> mm <input type="checkbox"/> INCH	DESIGN UNITS <input checked="" type="checkbox"/> mm <input type="checkbox"/> INCH	THIRD ANGLE PROJECTION		TITLE: CF CARD CONN. 50P HEADER ASS'Y (TYPE I/II, NORMAL) -LEAD FREE-		REVISE ON CAD ONLY		
	EC NO. DRWN: CH'K: APPR:					WIRE RANGE 適用電線範囲 — # —	ANGLE 角度 ±3°	30 OVER 以上 ±0.3	DRAWN BY & DATE M.NABEI '04/04/22		TITLE: MOLEX INCORPORATED		MATERIAL NO. — # —		DRAWING NO. SD-55358-014		SHEET NO. 2	
EC NO. DRWN: CH'K: APPR: 0					REV	INS. RANGE 被覆外径 — # —	CAD FILENAME SD-55358-014.S02		APPROVED BY & DATE M. Saath '04/04/22		MATERIAL NO. — # —		DRAWING NO. SD-55358-014		SHEET NO. 2		THIS DRAWING CONTAINS INFORMATION THAT IS PROPRIETARY TO MOLEX INCORPORATED AND SHOULD NOT BE USED WITHOUT WRITTEN PERMISSION. SIZE B	

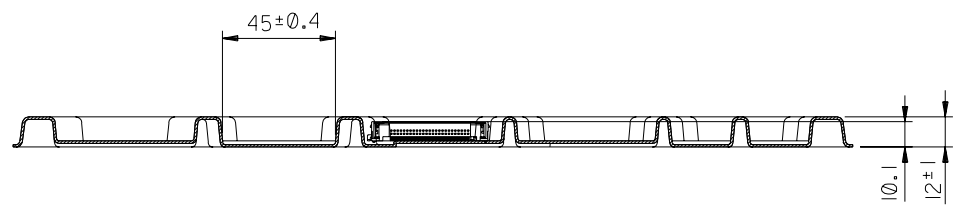
EN-02J(097) MXJ-54



SECT. Y-Y



DETAIL A
(SCALE 1-1)



SECT. X-X

NOTES

1. 一般公差: ±0.5
GENERAL TOLERANCES: ±0.5
2. 反り: 2MAX.
WARP: 2MAX.
3. 梱包数: 15個
PACKAGING QUANTITY: 15PCS.
4. 本製品は 55358-5026/-5036 の鉛フリー品である。
THIS PRODUCT IS LEAD FREE OF 55358-5026/-5036.

15	55358-5039	55358-5038	50
	55358-5029	55358-5028	
梱包数量 QUANTITY	コネクタ番号 CONNECTOR No.	製品番号 MATERIAL No.	極数 CKT.

DO NOT SCALE DRAWING

64 NO. DRWN: CH'K: APPR: 63 NO. DRWN: CH'K: APPR: 62 NO. DRWN: CH'K: APPR: 61 NO. DRWN: CH'K: APPR:	RELEASED 60 NO. J2004-3952 DRWN: M.NABEI CH'K: K.TOJO APPR: M.SASAO	MATERIAL 材料 POLYSTYRENE (t=1.0)	GENERAL TOLERANCES: (UNLESS SPECIFIED) 一般公差		55358-50** SCALE 1:2 DESIGN UNITS <input checked="" type="checkbox"/> mm <input type="checkbox"/> INCH		MODEL NO. 2B PROJECTION DIMENSIONS: <input type="checkbox"/> mm <input type="checkbox"/> INCH <input checked="" type="checkbox"/> mm ONLY		SHT REV	
			FINISH 仕上げ	WIRE RANGE 適用規格範囲	ANGLE 角度	10 UNDER 未満	30 UNDER 未満	DRAWN BY & DATE M.NABEI '04/04/22	TITLE: TRAY FOR CF CARD CONN. 50P HEADER HS'G ASS'Y -LEAD FREE-	
INS. RANGE 被覆外径	REV				CHECKED BY & DATE K.TOJO '04/04/22	CAD FILENAME SD-55358-016.S01		MATERIAL NO. SEE CHART	DRAWING NO. SD-55358-016	SHEET NO. 1 OF 1

THIS DRAWING CONTAINS INFORMATION THAT IS PROPRIETARY TO MOLEX INCORPORATED AND SHOULD NOT BE USED WITHOUT WRITTEN PERMISSION.

Mouser Electronics

Authorized Distributor

Click to View Pricing, Inventory, Delivery & Lifecycle Information:

[Molex:](#)

[55358-5028](#)