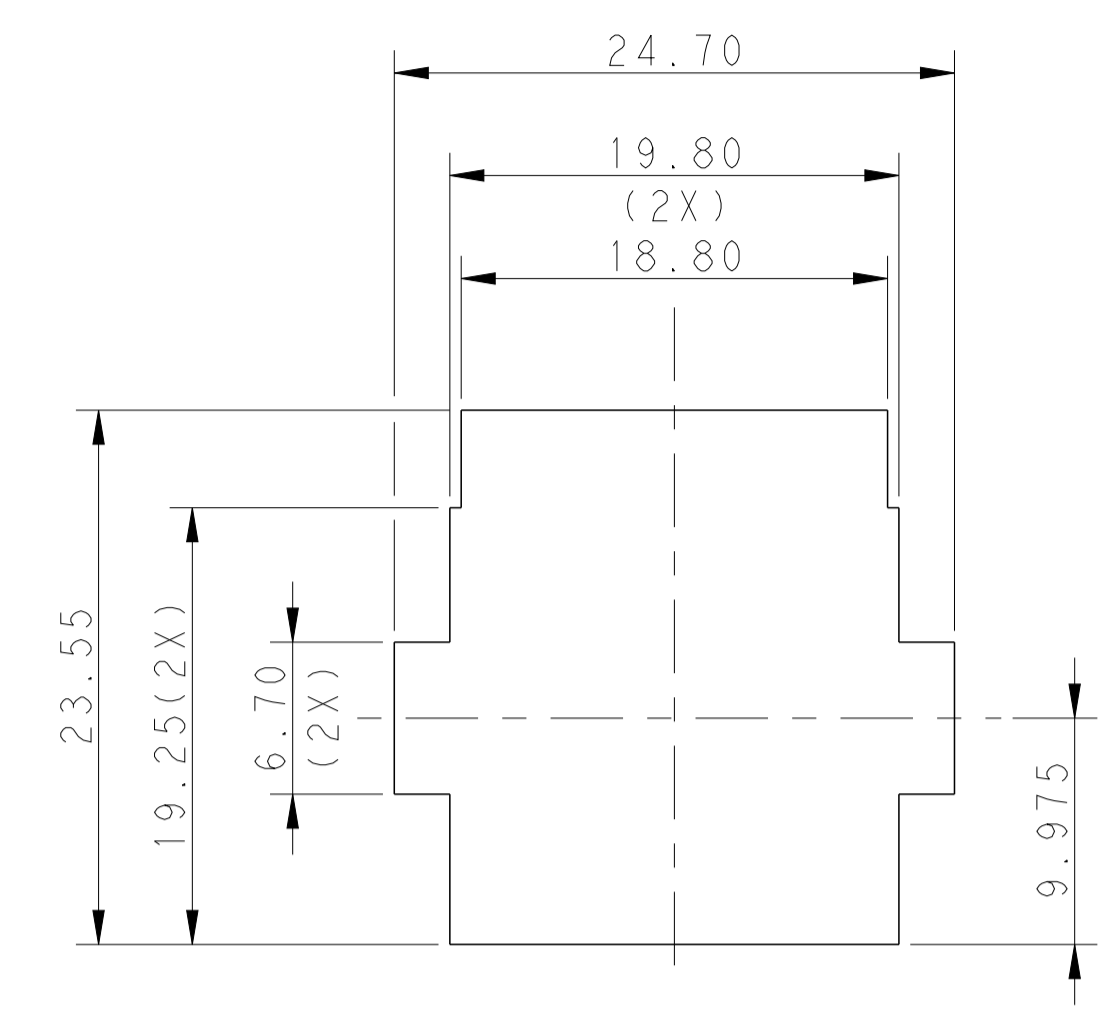
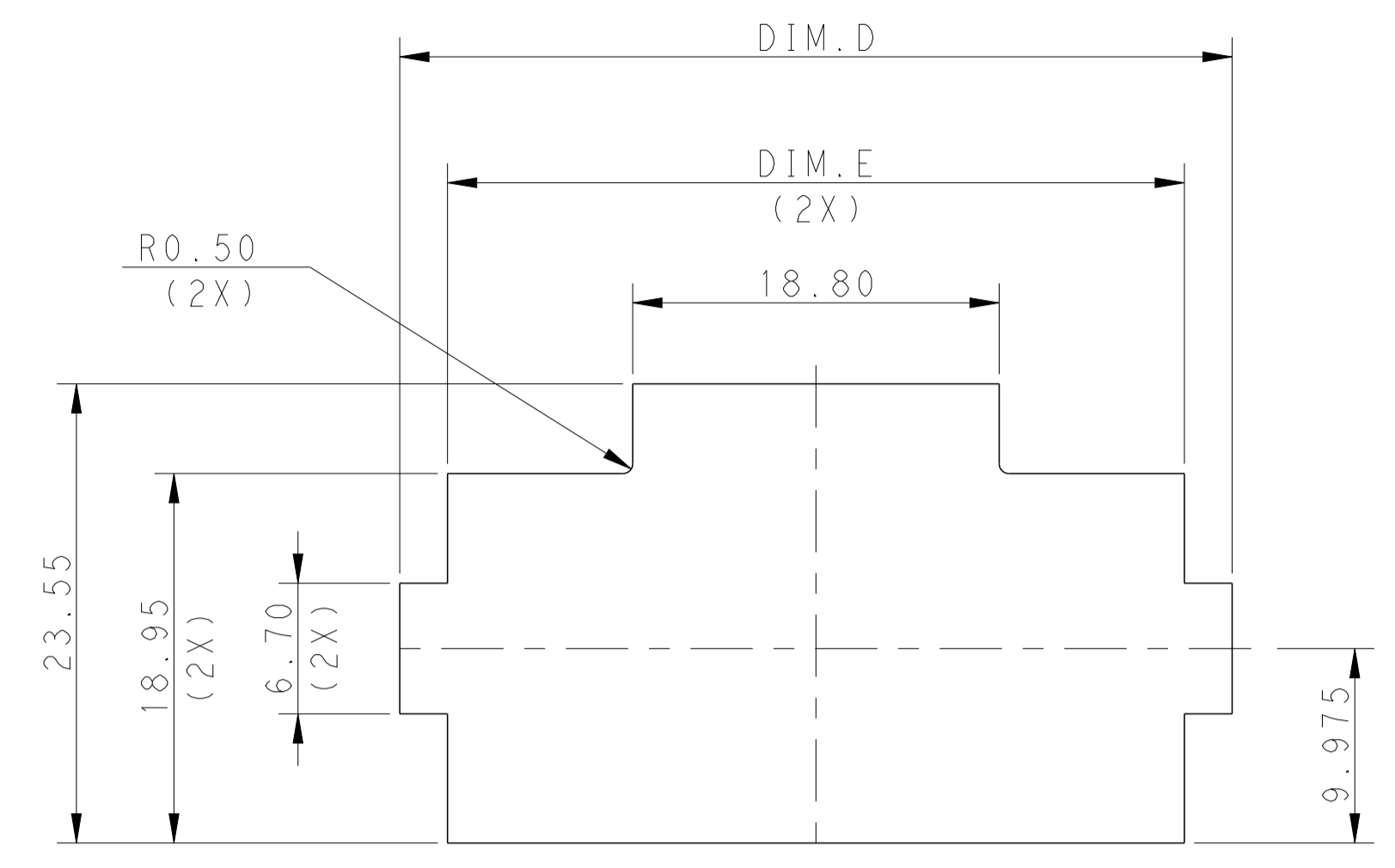
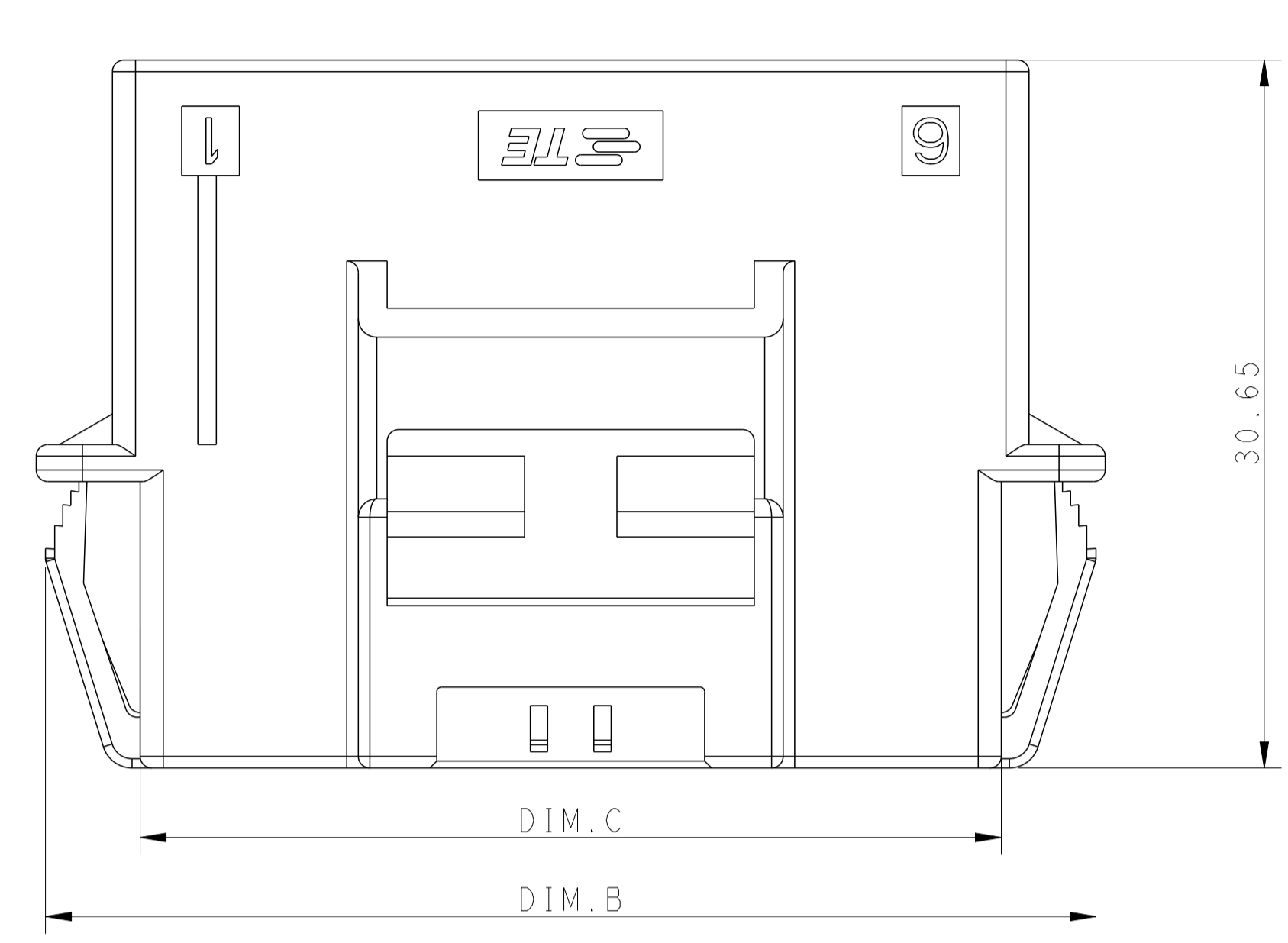
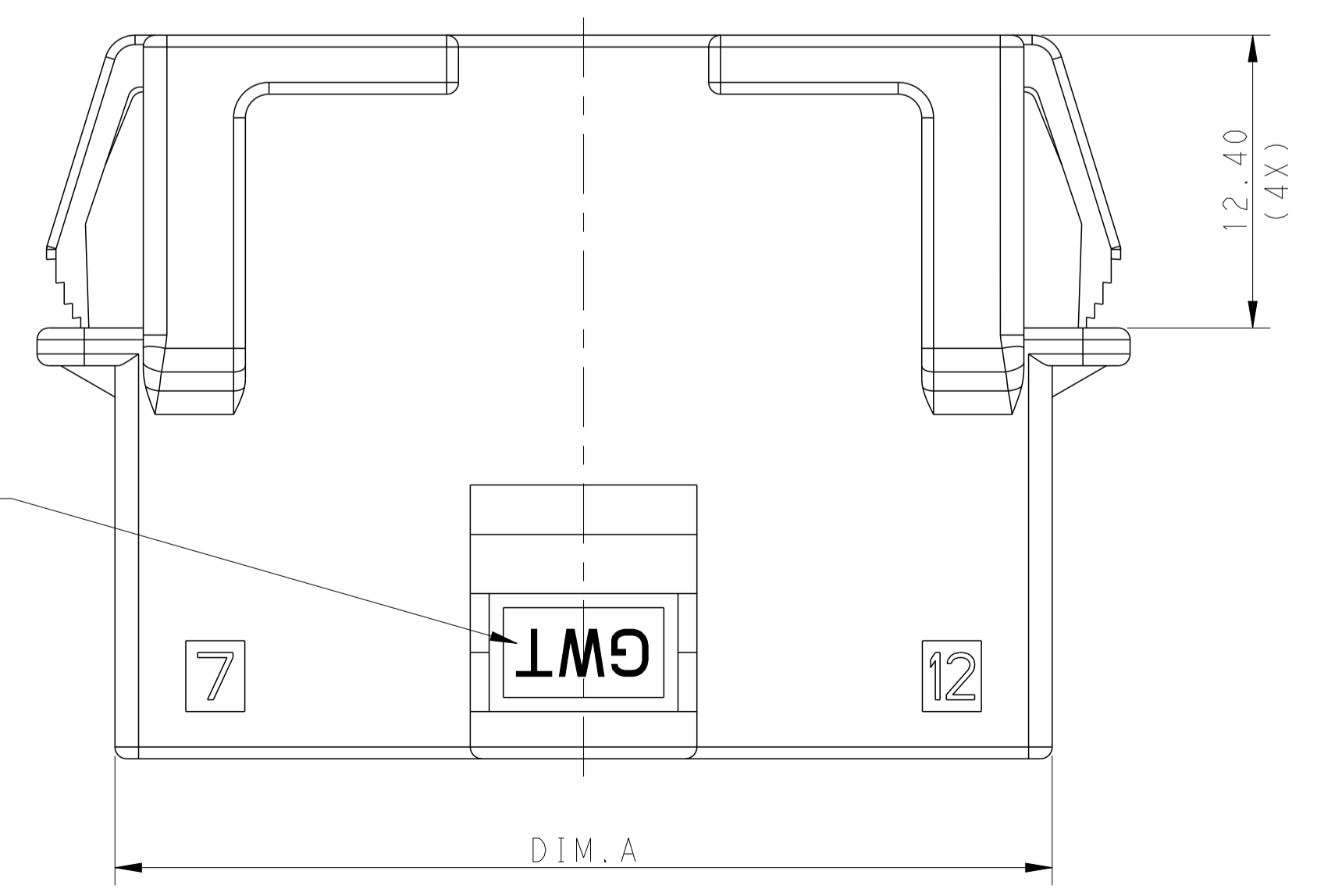
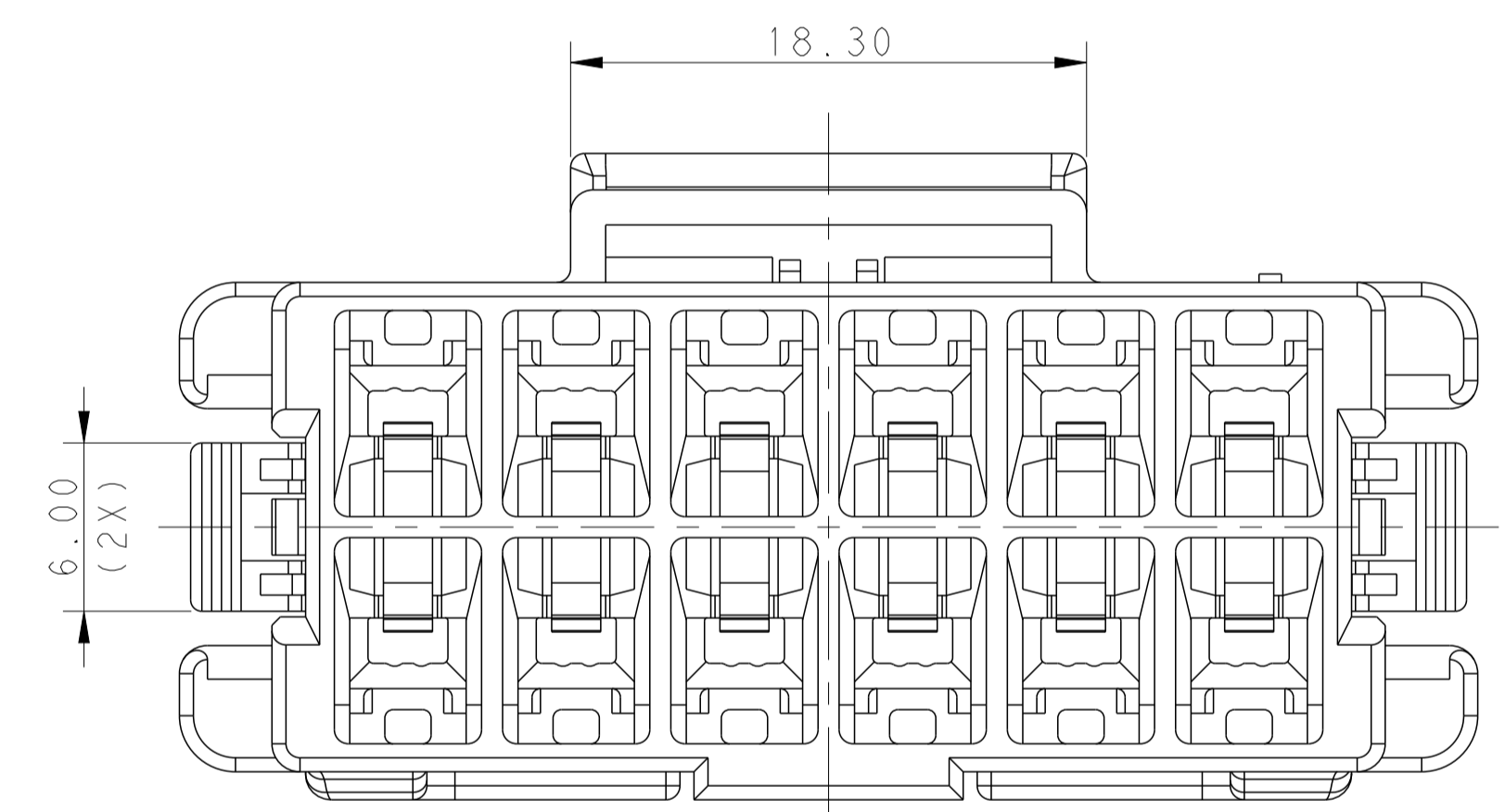
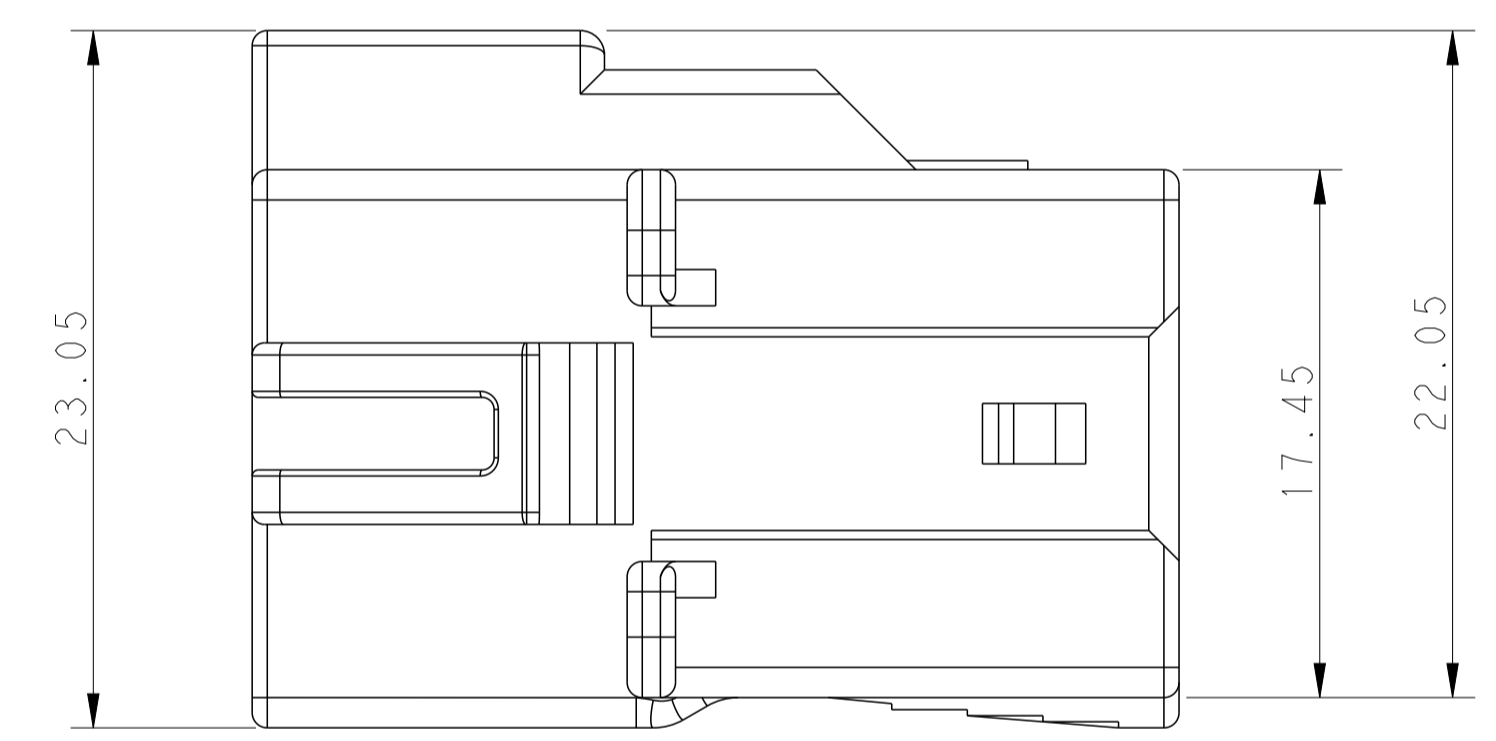
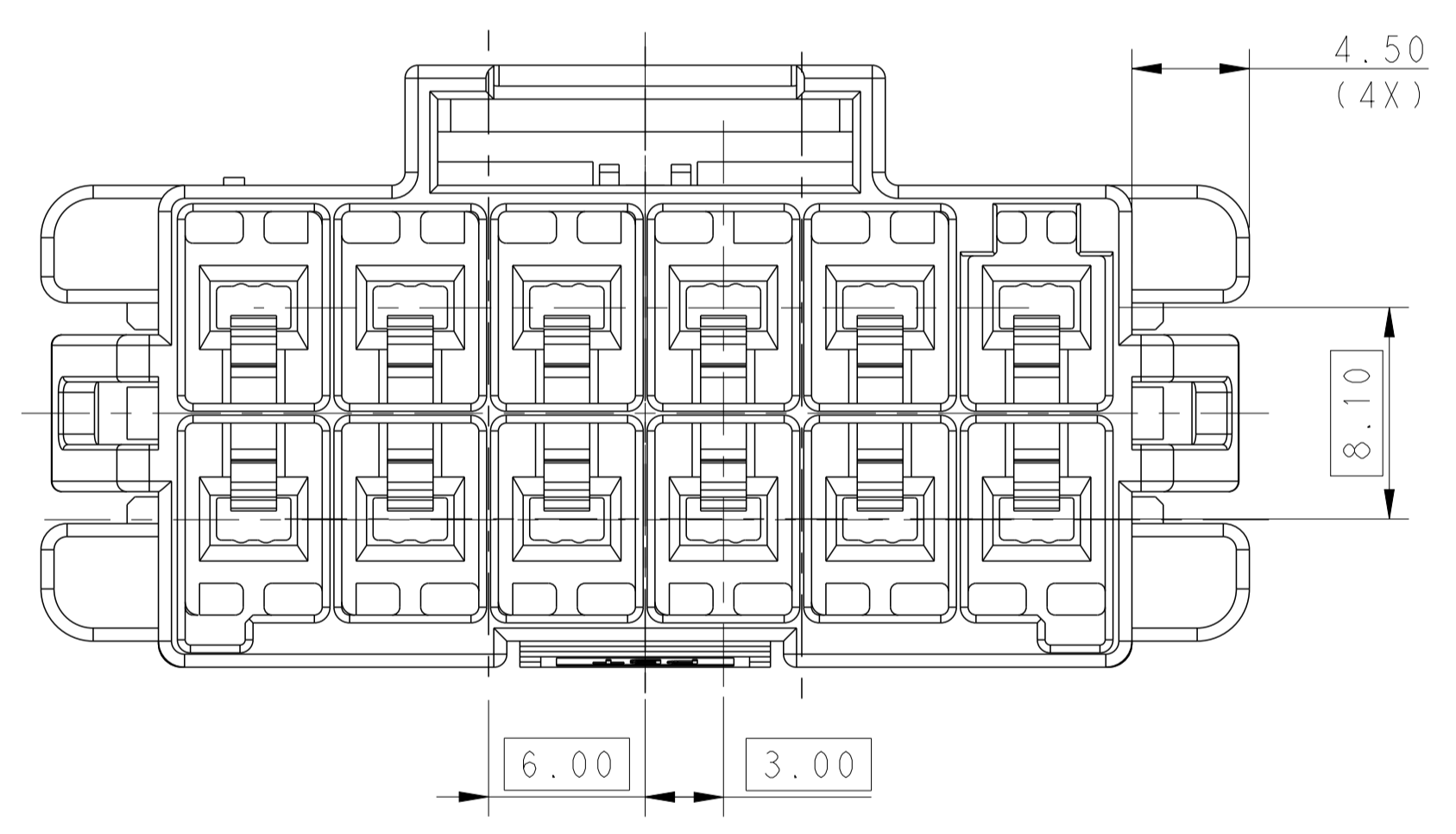


REVISIONS						
LOC	DIST	P. LTR	DESCRIPTION	DATE	DWN	APVD
-	-	B	REVISED PER ECR-16-003314	18JUL2016	BW	GJ



RECOMMENDED PANEL OPENING DIMENSIONS FOR CAP HOUSING 2\*6 AND 2\*5 AND 2\*4 POSITIONS (TOLERANCE: ±0.15mm)

RECOMMENDED PANEL OPENING DIMENSIONS FOR CAP HOUSING 2\*3 POSITION (TOLERANCE: ±0.15mm)



- MATERIAL:  
 LEVEL A: PA6 GLASS FILLED, COMPLY WITH GLOW WIRE REQUIREMENTS FOR PARTS OF NON-METALLIC MATERIAL SUPPORTING A CURRENT-CARRYING CONNECTION DETAILED IN IEC 60335-1, SECTION 30 (GWT), UL 94V-0  
 LEVEL B: PBT GLASS FILLED, HOT WIRE IGNITION (HWI) VERSION ARE MOLDED IN A RESIN THAT COMPLIES WITH TE HOT WIRE IGNITION TEST 109-32026 AND ARE RECOMMENDED FOR USE WITH HWI HOUSINGS THAT ALSO COMPLY, UL 94V-0

MATERIAL MARK:  
 LEVEL A:GWT,LEVEL B:HWT

3. APPLICABLE CONTACT P/N  
 TAB CONTACT: 1971238/1971780/82/84/86/88-\*, 2238067-\*

4. MATING CONN., P/N  
 PLUG HSG: \*-2232266-  
 TPA (LOCK PLATE): \*-1971778-\*

5. RECOMMENDED PANEL THICKNESS: 1.0~2.0mm

6. THIS PRODUCT HAS NOT COMPLETED VALIDATION TESTING.

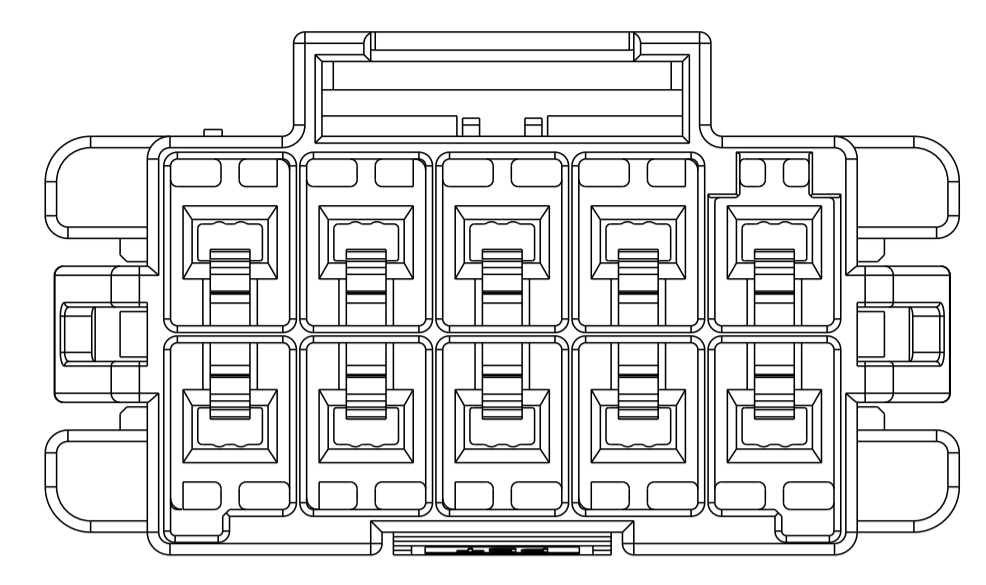
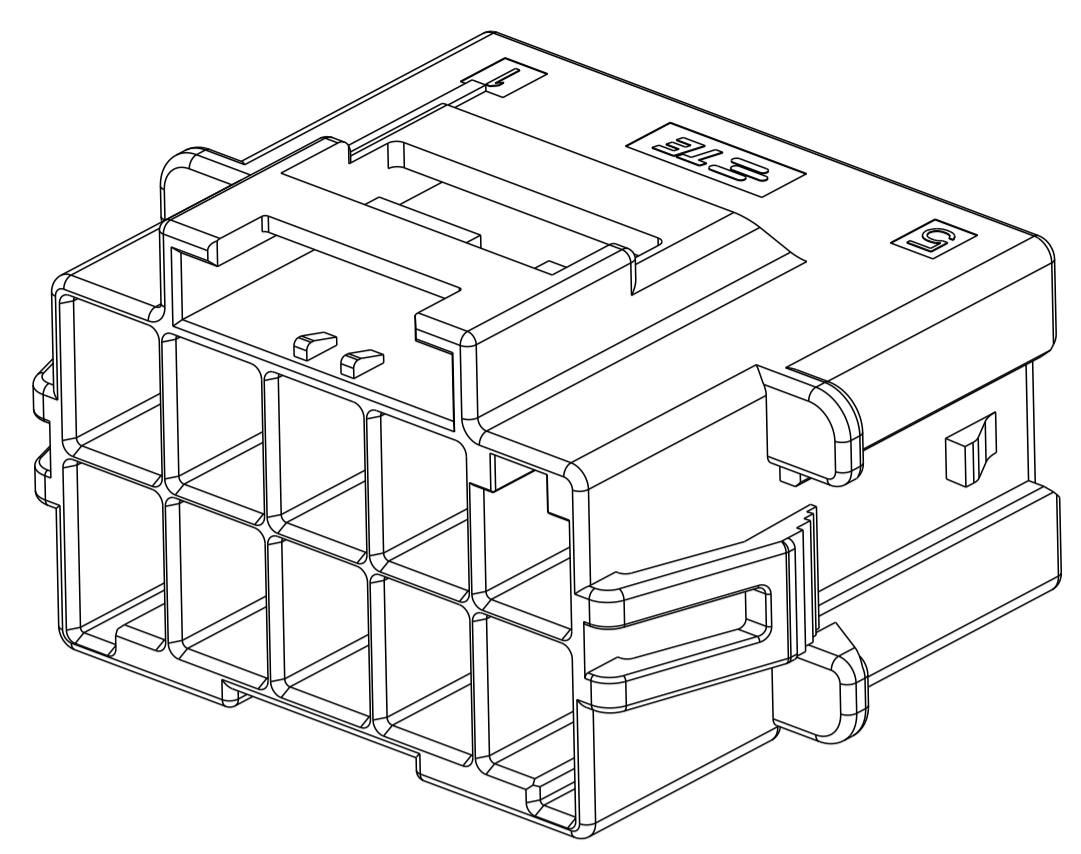
POS	A	B	C	D	E
2*6	39.70	45.5	37.30	42.70	37.80
2*5	33.70	39.5	31.30	36.70	31.80
2*4	27.70	33.5	25.30	30.70	25.80
2*3	21.70	27.5	19.30		

THIS DRAWING IS A CONTROLLED DOCUMENT.

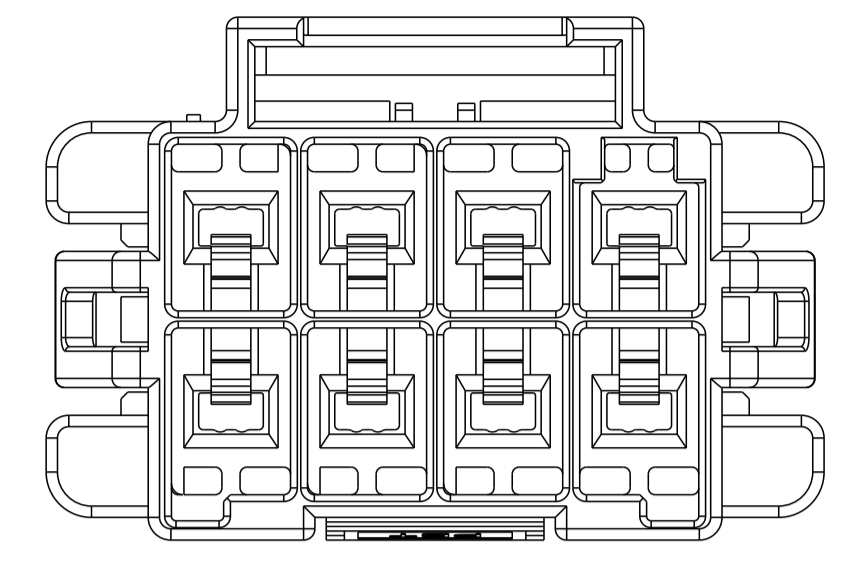
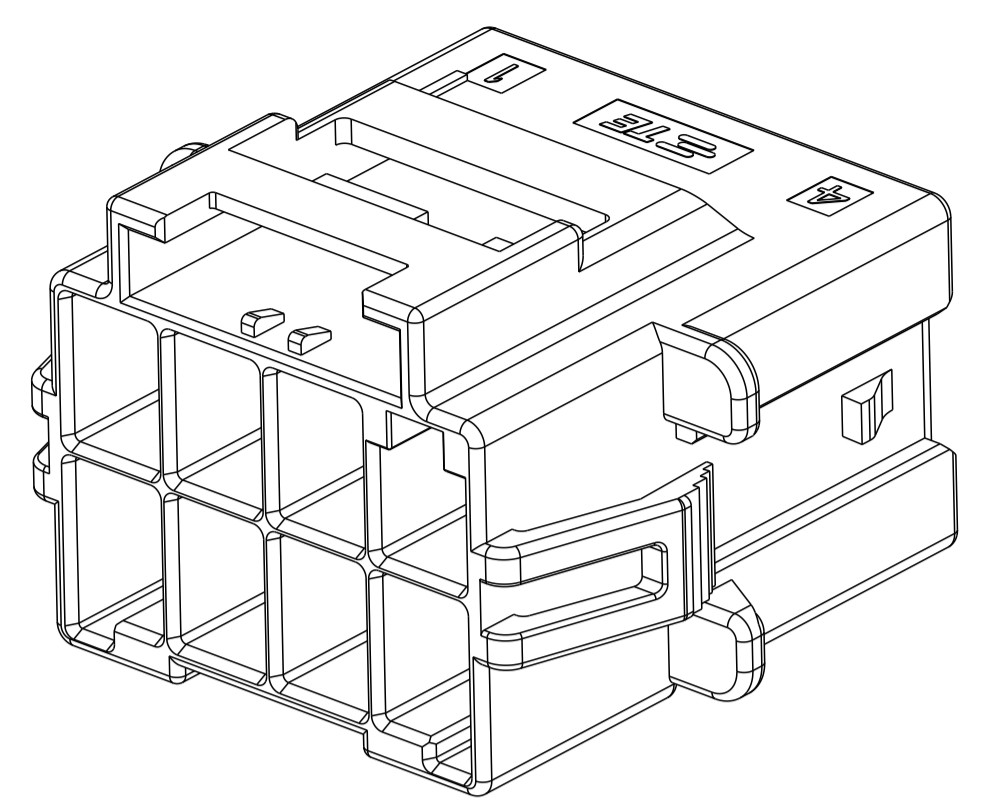
DIMENSIONS:	TOLERANCES UNLESS OTHERWISE SPECIFIED:	DWN	TOMMY WU	26MAR2013
mm	0 PLC ±0.35	CHK	HAPYE WU	26MAR2013
	1 PLC ±0.25	APVD	YUHONG MAO	26MAR2013
	2 PLC ±0.25	PRODUCT SPEC		
	3 PLC ±0.25	APPLICATION SPEC		
	4 PLC ±0.25	SIZE	114-106118	
	ANGLES ±0.1	WEIGHT		
MATERIAL	FINISH	Customer Drawing	SCALE	SHEET 1 OF 2

TE Connectivity  
 CAP HOUSING, PANEL MOUNT, DOUBLE ROW POWER TRIPLE LOCK  
 A100779C=2232264  
 Customer Drawing

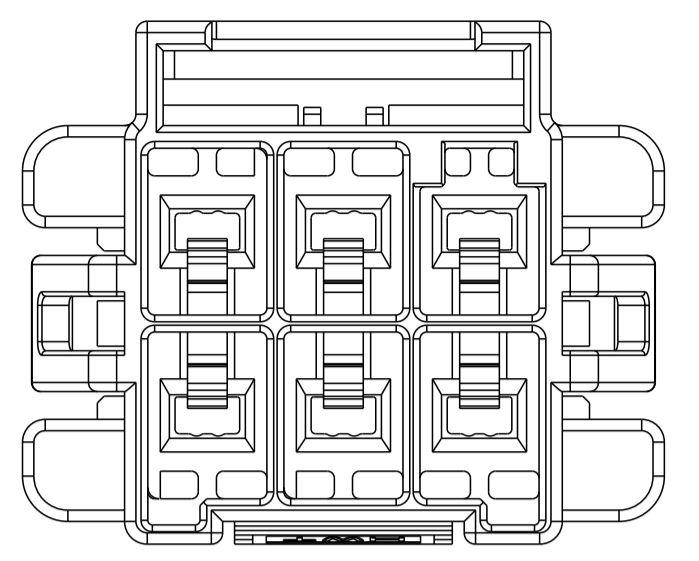
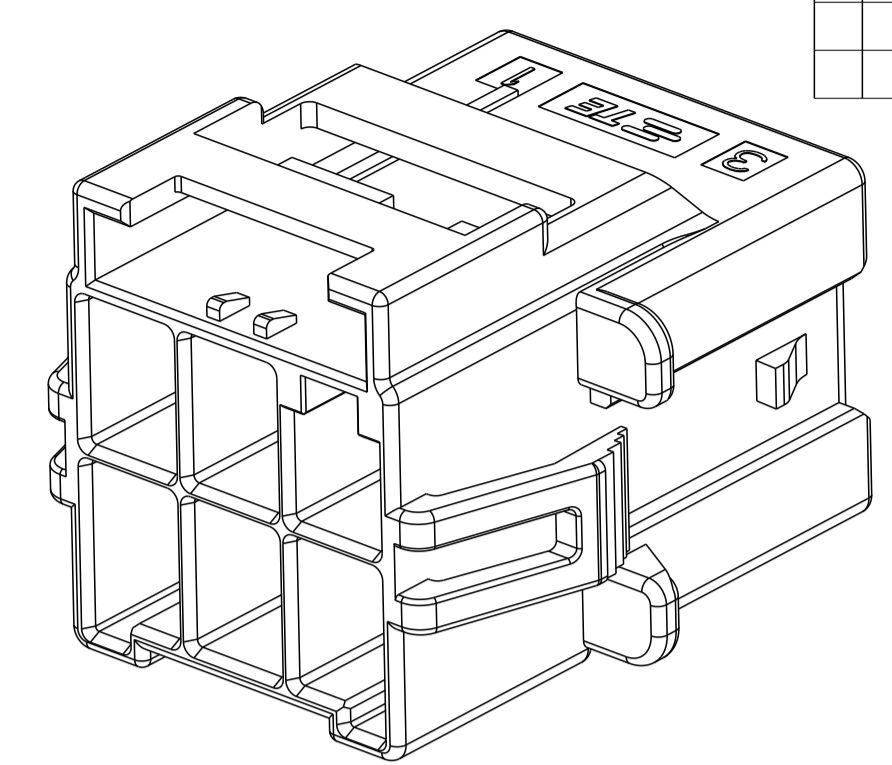
LOC	DIST	REVISIONS			
P	LTN	DESCRIPTION	DATE	OWN	APVD
-	-	SEE SHEET 1	-	-	-



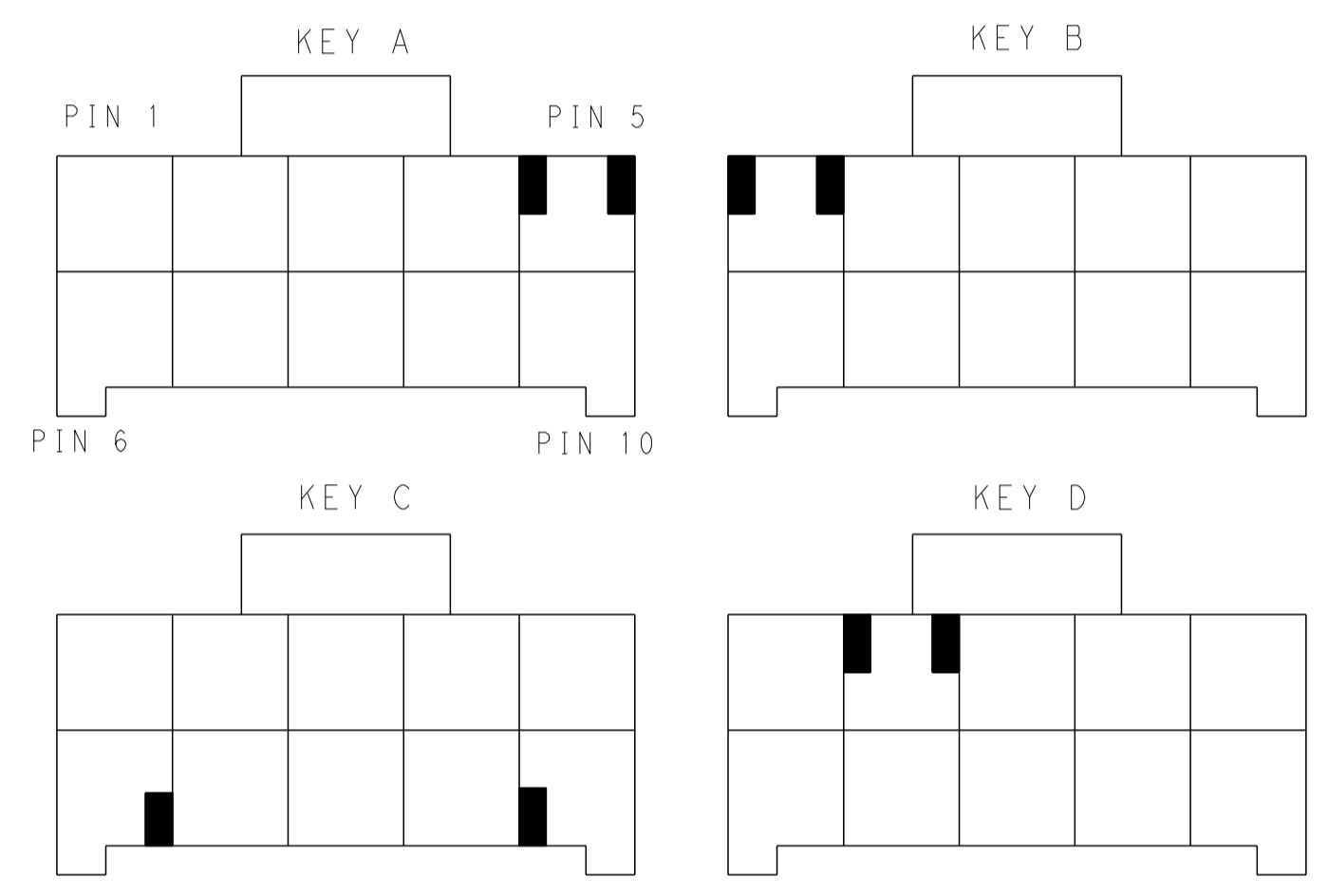
2\*5 POSITIONS



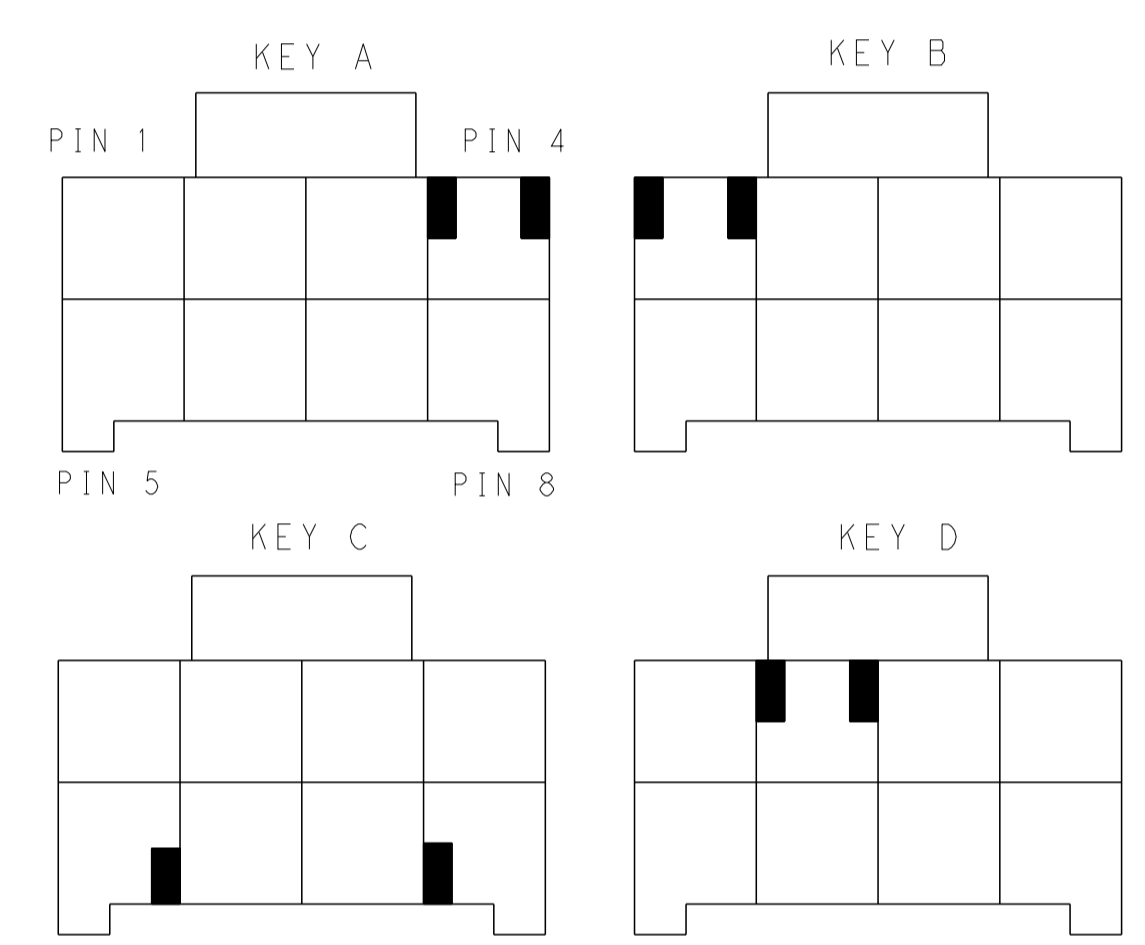
2\*4 POSITIONS



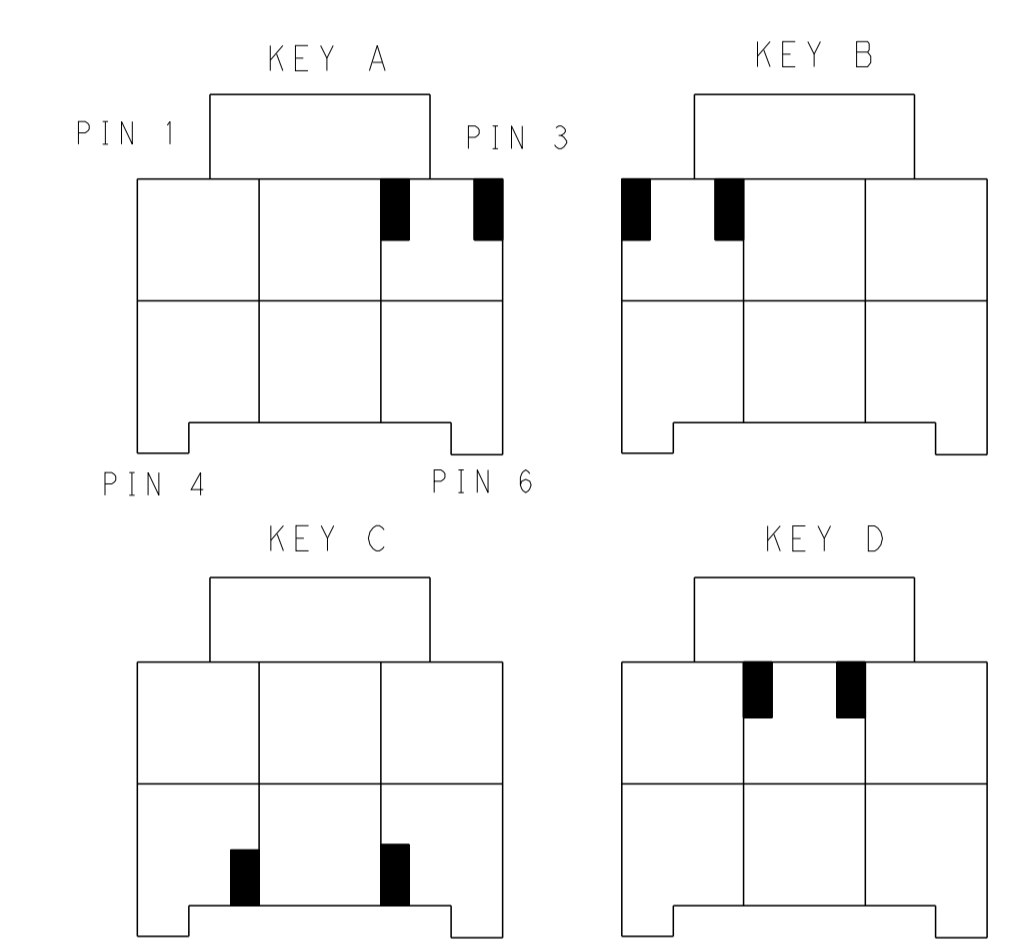
2\*3 POSITIONS



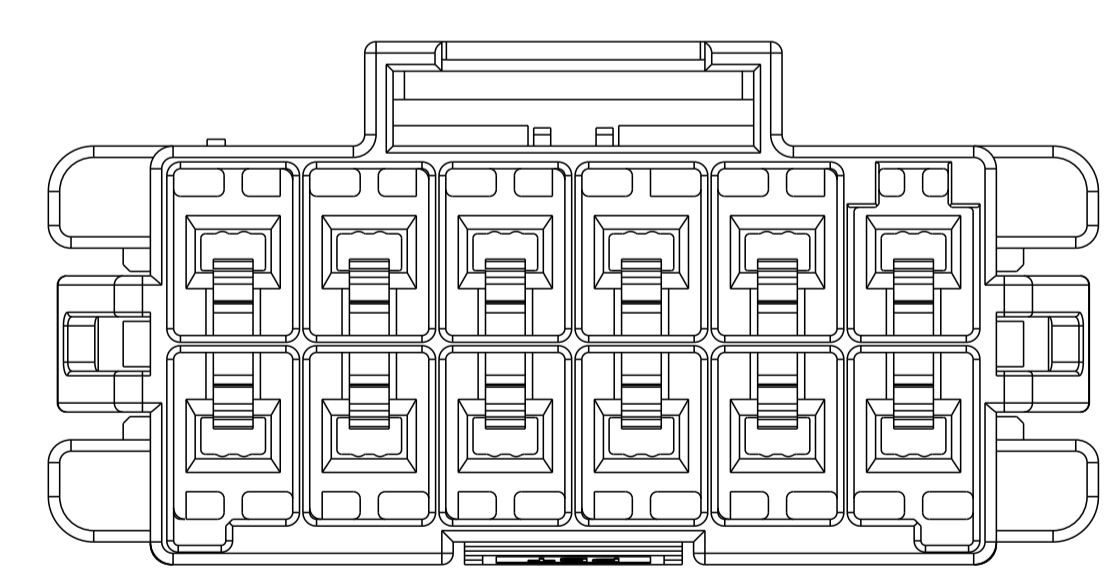
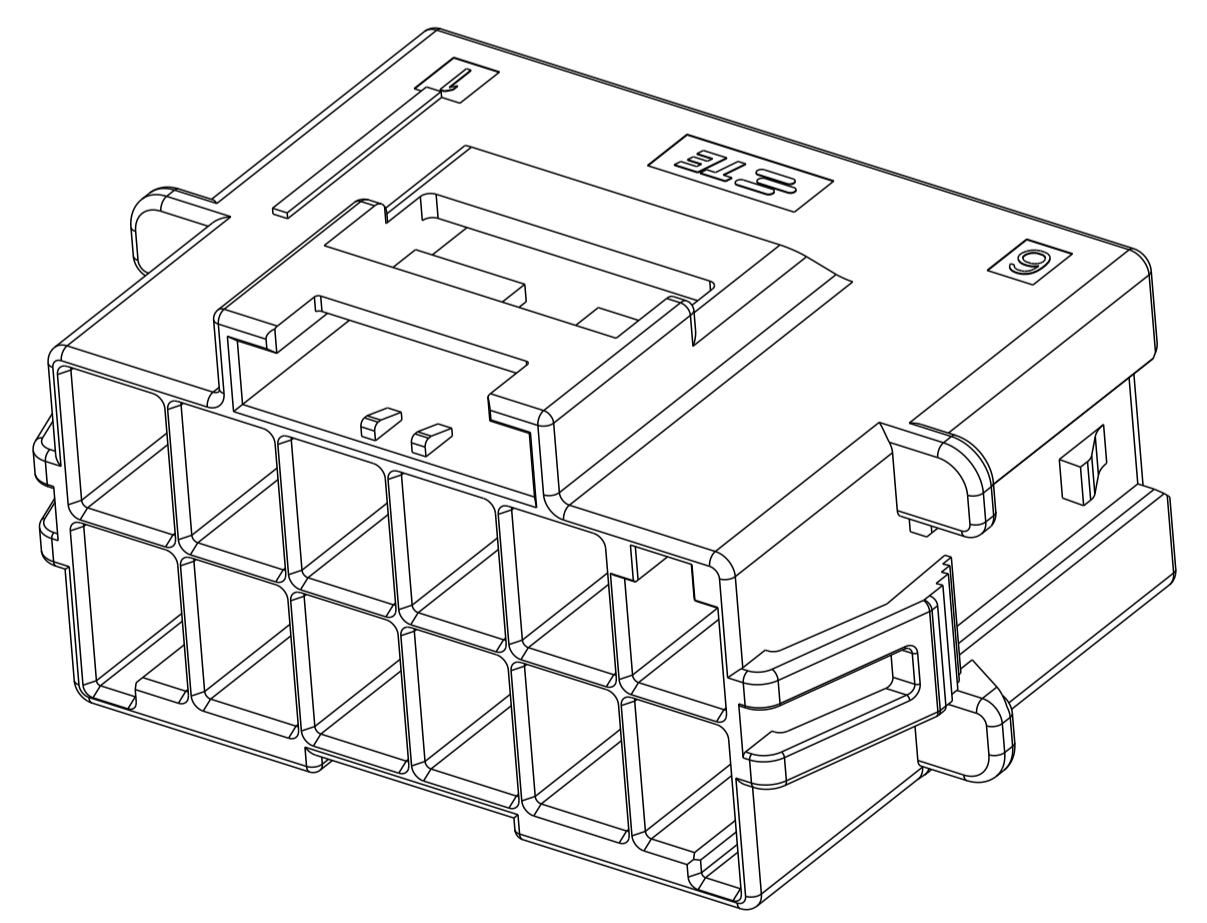
KEYING FOR 2\*5 POS.



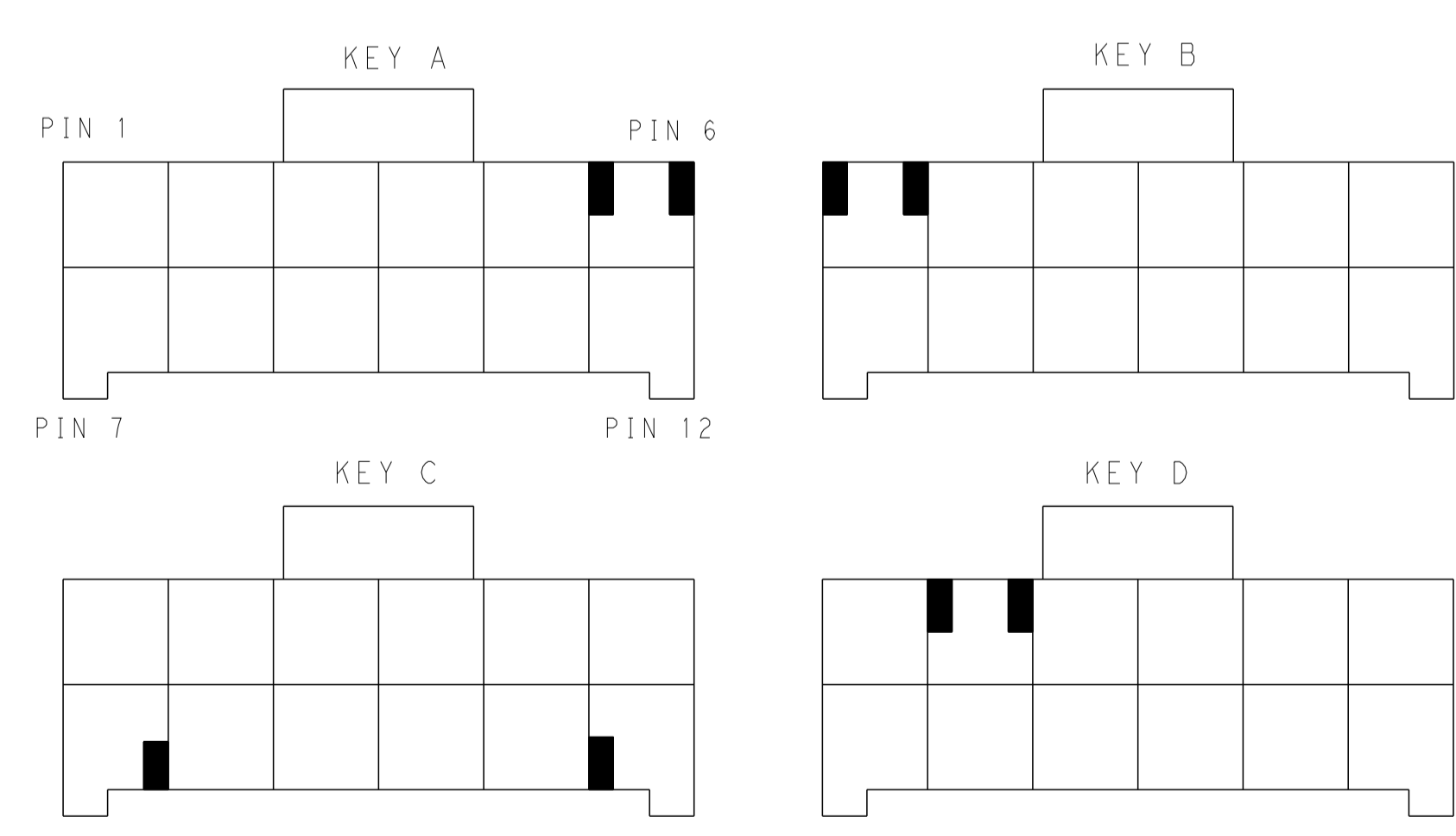
KEYING FOR 2\*4 POS.



KEYING FOR 2\*3 POS.



2\*6 POSITIONS



KEYING FOR 2\*6 POS.

POS.	MATERIAL	COLOR	KEY	P/N
2*6	LEVEL A	DARK GREY	KEY A	5-2232264-6
		BROWN	KEY B	6-2232264-6
		GREEN	KEY C	7-2232264-6
		ORANGE	KEY D	8-2232264-6
2*5	LEVEL A	DARK GREY	KEY A	5-2232264-5
		BROWN	KEY B	6-2232264-5
		GREEN	KEY C	7-2232264-5
		ORANGE	KEY D	8-2232264-5
2*4	LEVEL A	DARK GREY	KEY A	5-2232264-4
		BROWN	KEY B	6-2232264-4
		GREEN	KEY C	7-2232264-4
		ORANGE	KEY D	8-2232264-4
2*3	LEVEL A	DARK GREY	KEY A	5-2232264-3
		BROWN	KEY B	6-2232264-3
		GREEN	KEY C	7-2232264-3
		ORANGE	KEY D	8-2232264-3
	LEVEL B	BLACK	KEY A	1-2232264-1

THIS DRAWING IS A CONTROLLED DOCUMENT.

OWN: TOMMY WU 26MAR2013  
 CHK: HAPYE WU 26MAR2013  
 APVD: YUHONG MAO 26MAR2013

TOLERANCES UNLESS OTHERWISE SPECIFIED:  
 0 PLC ±  
 1 PLC ±0.35  
 2 PLC ±0.25  
 3 PLC ±  
 4 PLC ±  
 ANGLES ±  
 FINISH ±

DIMENSIONS: mm

MATERIAL: -

Customer Drawing

APVD: YUHONG MAO 26MAR2013  
 PRODUCT SPEC: 108-106118  
 APPLICATION SPEC: 114-106118

WEIGHT: -

Customer Drawing

SCALE: - SHEET 2 OF 2 REV B

TE Connectivity

NAME: CAP HOUSING, PANEL MOUNT, DOUBLE ROW POWER TRIPLE LOCK

SIZE: A1 00779 C=2232264

# Mouser Electronics

Authorized Distributor

Click to View Pricing, Inventory, Delivery & Lifecycle Information:

[TE Connectivity:](#)

[5-2232264-4](#)