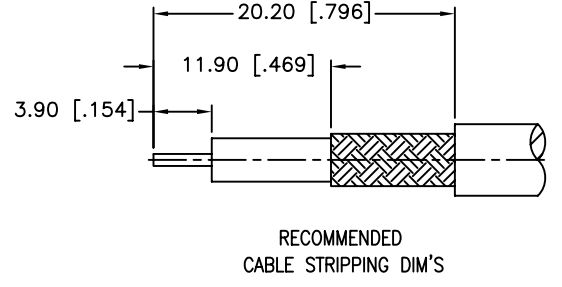
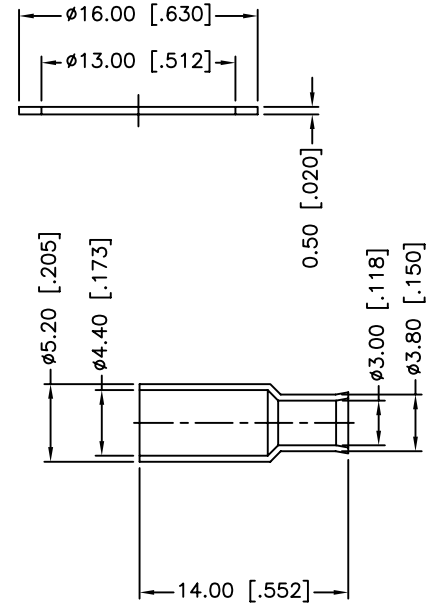
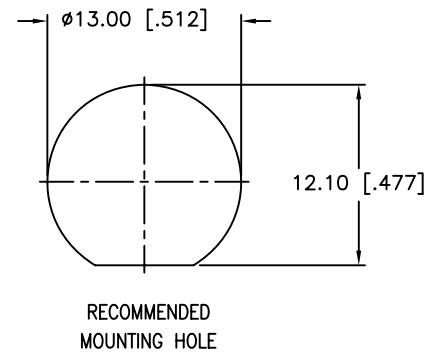
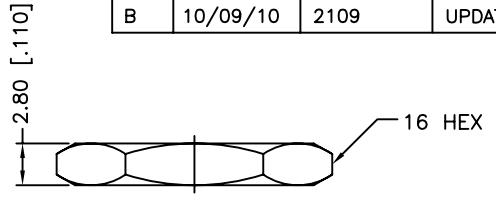
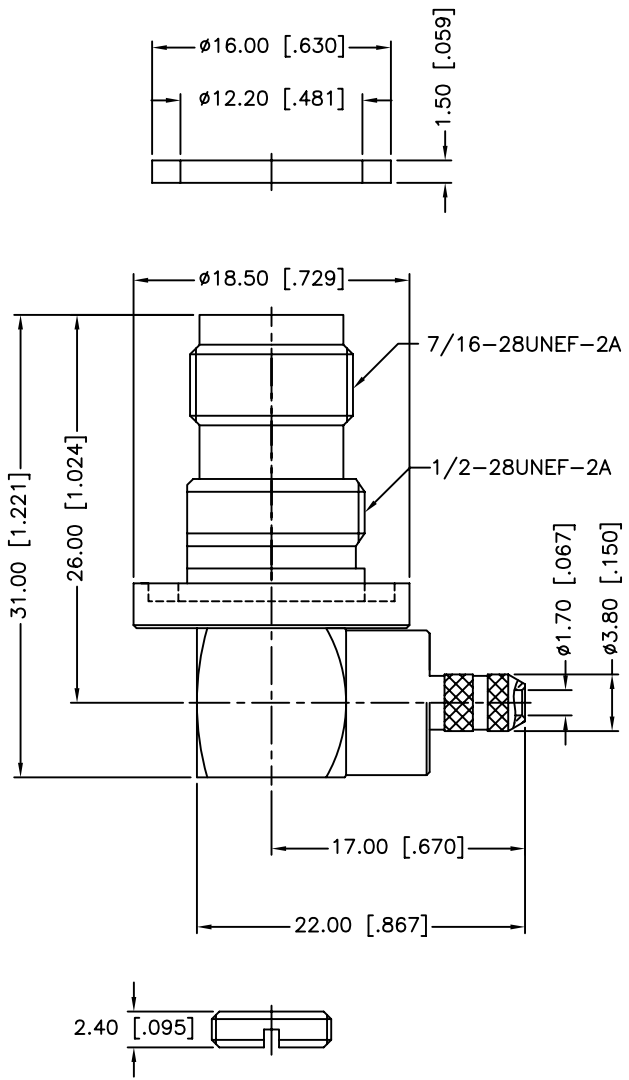


REV.	DATE	ECR NO.	DESCRIPTION
NC	04/18/00	XXXXXX	INITIAL RELEASE
A	08/13/06	XXXXXX	UPDATE DRAWING FORMAT
B	10/09/10	2109	UPDATE THE D FLAT POSITION



NOTE:  
1. CRIMPED FERRULE  
HEX CRIMP SIZE .178"

DESCRIPTION	MATERIAL	FINISH	QTY
10 NUT	BRASS	NICKEL	1
9 FERRULE	BRASS	NICKEL	1
8 HEX NUT	BRASS	NICKEL	1
7 LOCK WASHER	BRASS	NICKEL	1
6 GASKET	RUBBER	RED	1
5 CONTACT PIN	PHOSPHOR BRONZE	GOLD	1
4 BODY	BRASS	NICKEL	1
3 INSULATOR	PTFE	NATURAL	1
2 HOUSING	BRASS	NICKEL	1
1 BARREL	BRASS	NICKEL	1

UNLESS OTHERWISE SPECIFIED DIMENSIONS ARE IN MILLIMETERS. DIMENSIONS IN [ ] ARE IN INCHES AND FOR CUSTOMER REFERENCE ONLY.

UNLESS OTHERWISE SPECIFIED TOLERANCES FOR MILLIMETERS ARE:  
 0.5 - 8mm  $\pm 0.20$ mm  
 8 - 30mm  $\pm 0.40$ mm  
 30 - 120mm  $\pm 0.50$ mm

UNLESS OTHERWISE SPECIFIED TOLERANCES FOR INCHES ARE:  
 .020 - .315 =  $\pm 0.007$ "  
 .315 - 1.180 =  $\pm 0.015$ "  
 1.180 - 4.724 =  $\pm 0.020$ "

DO NOT SCALE DRAWING

APPROVALS	DATE
DRAWN M.ZHANG	10/09/10
CHECKED	
ISSUED	
SHEET 1 OF 1	
CAD FILE C:/CONNEX/122454.DWG	

**Amphenol Connex**

PART DESCRIPTION  
**TNC R/A BULKHEAD CRIMP JACK  
(FOR RG-174/U,188A/U,316/U)**

PART NO. **122454**

DWG. NO. 122454.DWG    REV. B    SIZE A    SCALE NA

# Mouser Electronics

Authorized Distributor

Click to View Pricing, Inventory, Delivery & Lifecycle Information:

[Amphenol:](#)

[122454](#)