

THIS DRAWING IS UNPUBLISHED.

RELEASED FOR PUBLICATION

ALL RIGHTS RESERVED.

© COPYRIGHT - By -

LOC

DIST

REVISIONS

変更

DESCRIPTION

DATE

DWN

APVD

J

-

P

LTR

B1 REVISED PER ECO-11-005030

11MAR11

RK

HMR

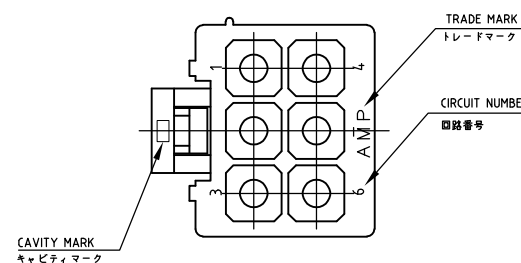
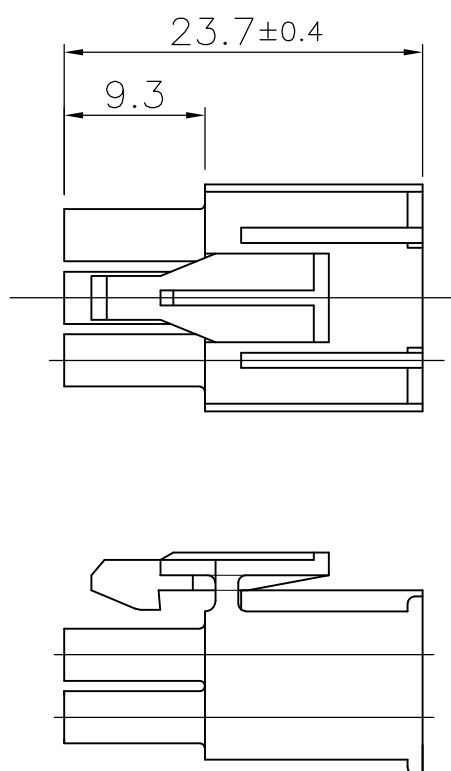
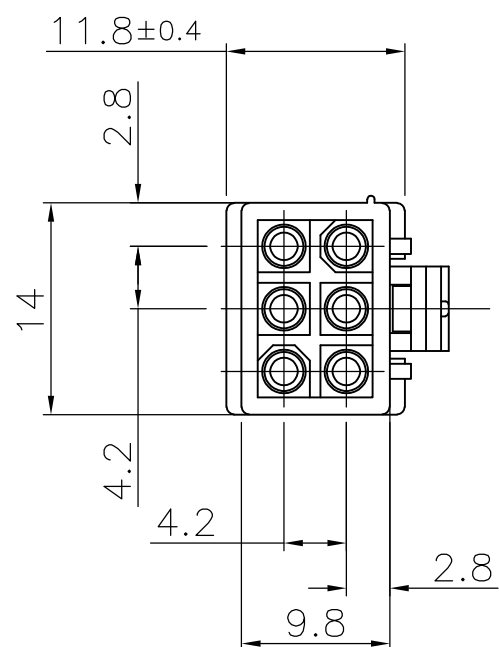


表 1 TABLE 1

TRADE MARK	MANUFACTURING PLACE
-AMP OR AMP	JAPAN
+AMP OR AMP	CHINA(PRC)

NOTE)

1. APPLIED CONTACT P/N:170359,170360,170361,170362
2. MATING CONN. :CAP HOUSING P/N:172331
3. INSTRUCTION SHEET :IS-105J
4. PRODUCT SPEC :108-5151
5. SEE TABLE1

注記)

1. 使用端子親型番は170359,170360,170361,170362
2. 嵌合相手キャップハウジング型番は172331-0
3. 取扱説明書 :IS-105J
4. 製品規格:108-5151
5. 表 1参照

黒色 (BLACK)	1-172339-9
青色 (BLUE)	1-172339-6
緑色 (GREEN)	1-172339-5
黄色 (YELLOW)	1-172339-4
赤色 (RED)	1-172339-2
自然色 (NATURAL)	172339-1
色 (COLOR)	製品型番(PART NO.)

THIS DRAWING IS A CONTROLLED DOCUMENT.		DWN	A.OISHI	13 JUN. '02	 TE Connectivity	NAME		MINI UNIVERSAL MATE-N-LOK	
DIMENSIONS: 単位: 耗 mm		CHK	M.SHINDO	13 JUN. '02		名称		PLUG HOUSING 6Pos.(UL94V-2)	
TOLERANCES UNLESS OTHERWISE SPECIFIED: 一般公差		APVD	M.SHINDO	13 JUN. '02		PRODUCT SPEC		6極ミニ・ユニバーサル メイテンロック コネクタ プラグハウジング	
0 PLC ± 0.3 1 PLC ± 0.3 2 PLC ± 0.3 3 PLC ± 0.3 4 PLC ± 0.3 ANGLES ± 1°		APPLICATION SPEC		取付適用規格		SIZE	CAGE CODE	DRAWING NO	RESTRICTED TO
MATERIAL 材料	66NYLON(UL94V-2)	FINISH 仕上		-		WEIGHT		-	
CUSTOMER DRAWING						SCALE		2:1	
						SHEET		1 OF 1	
						REV		B1	

Mouser Electronics

Authorized Distributor

Click to View Pricing, Inventory, Delivery & Lifecycle Information:

[TE Connectivity:](#)

[172339-1](#)