

High Frequency Ceramic Solutions

900MHz 1:1 RF Balun, EIA 0805 with DC-Feed Feature

P/N 0900BL15C050

Detail Specification: 8/4/2016

Page 1 of 4

General Specifications

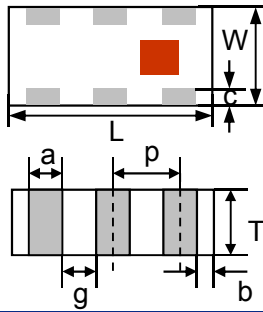
Part Number	0900BL15C050	Amplitude Difference	2.0 dB max.
Frequency	800 - 1000 (MHz)	Operating Temperature	-40 to +85°C
Unbalanced Impedance	50 Ω	Storage Temperature	-40 to +85°C
Differential Balanced Imp.	50 Ω	Power Capacity	3 W max. (CW)
Insertion Loss	0.9dB Typ (1.2 dB max.)	Recommended Storage Conditions of unused product on T&R	+5 to +35°C, 18 mos. max. Humidity 45~75% RH
Return Loss	11dB Typ (9.5 dB min.)		
Phase Difference	180 ± 10 deg.		

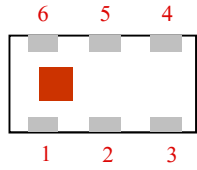
Part Number Explanation

P/N Suffix	Packing Style	Bulk	Suffix = S	Eg. 0900BL15C050S
		T & R	Suffix = E	Eg. 0900BL15C050E (4000 pcs/reel)
	Termination style	AgPt	Suffix = None	Eg. 0900BL15C050 (E or S)
	Evaluation Board	eg.0900BL15C050-EB1SMA (2 port back-to-back EVB)		
eg. 0900BL15C0500-EB2SMA (3 port standard EVB)				

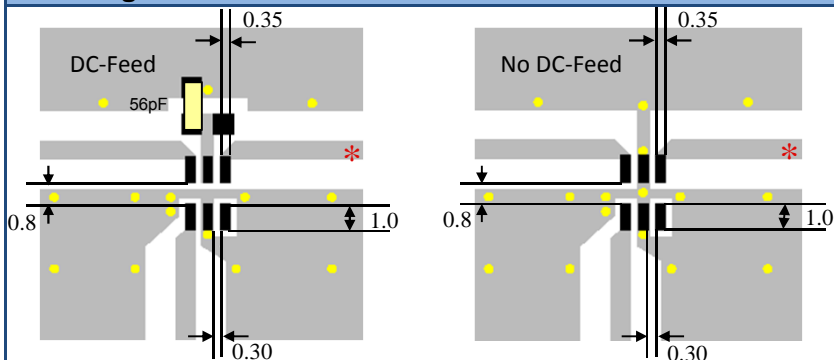
You can download measured s-parameters of this component at: <http://www.johansontechnology.com/rfbaluns>

Mechanical Dimensions		
	In	mm
L	0.079 ± 0.004	2.00 ± 0.10
W	0.049 ± 0.004	1.25 ± 0.10
T	0.028 ± 0.004	0.70 ± 0.10
a	0.012 ± 0.004	0.30 ± 0.10
b	0.008 ± 0.004	0.20 ± 0.10
c	0.012 +0.004/0.008	0.30 +0.1/-0.2
g	0.014 ± 0.004	0.35 ± 0.10
p	0.026 ± 0.002	0.65 ± 0.05



Terminal Configuration			
1	Unbalanced Port (IN)	6	NC
2	GND or DC Feed+RF GND		
3	Balanced Port (OUT2)		
4	Balanced Port (OUT1)		
5	GND		

Mounting Considerations



Mount these devices with colored mark facing up.

* Line width should be designed to provide 50ohm impedance

- Solder
- Land
- Through-hole (Φ0.3)

Johanson Technology, Inc. reserves the right to make design changes without notice.

All sales are subject to Johanson Technology, Inc. terms and conditions.



www.johansontechnology.com

4001 Calle Tecate • Camarillo, CA 93012, USA • TEL +1.805.389.1166

Ver 1.2

2014 Johanson Technology, Inc. All Rights Reserved

High Frequency Ceramic Solutions

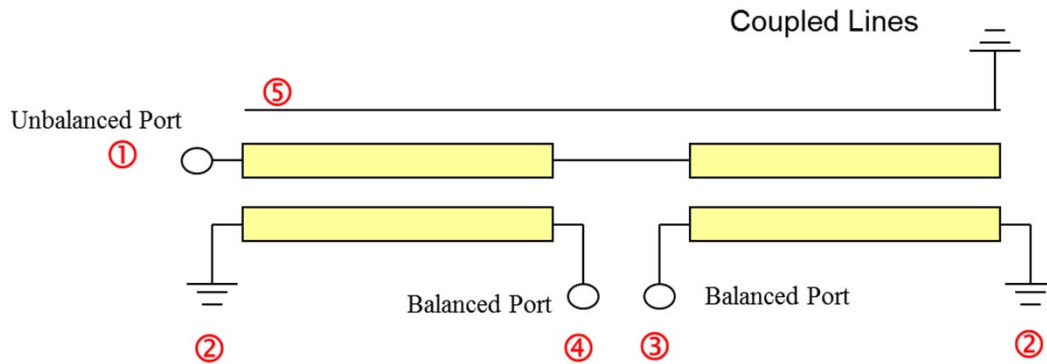
900MHz 1:1 RF Balun, EIA 0805 with DC-Feed Feature

P/N 0900BL15C050

Detail Specification: 8/4/2016

Page 2 of 4

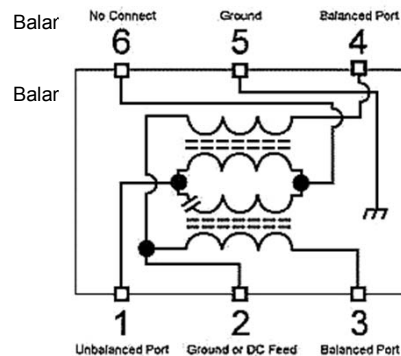
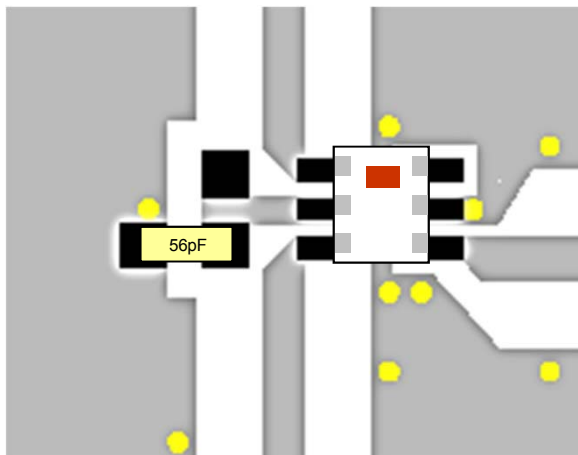
Equivalent Circuit for 0900BL15C050



-Pin3 and Pin4 are DC connected to Pin2 (GND or DC feed) in the device but not DC connected to Pin5 (GND). Therefore by-pass capacitors should be connected when feeding DC power from Pin2.

Unbalanced port does not have a direct current path to GND

Use 56pF RF GND cap when using DC-Feed option



Need our help laying this out for you? Need the layout file? Send us a message at:
www.johansontechnology.com/component/techquestion

Johanson Technology, Inc. reserves the right to make design changes without notice.

All sales are subject to Johanson Technology, Inc. terms and conditions.



www.johansontechnology.com

4001 Calle Tecate • Camarillo, CA 93012, USA • TEL +1.805.389.1166

Ver 1.2

2014 Johanson Technology, Inc. All Rights Reserved

High Frequency Ceramic Solutions

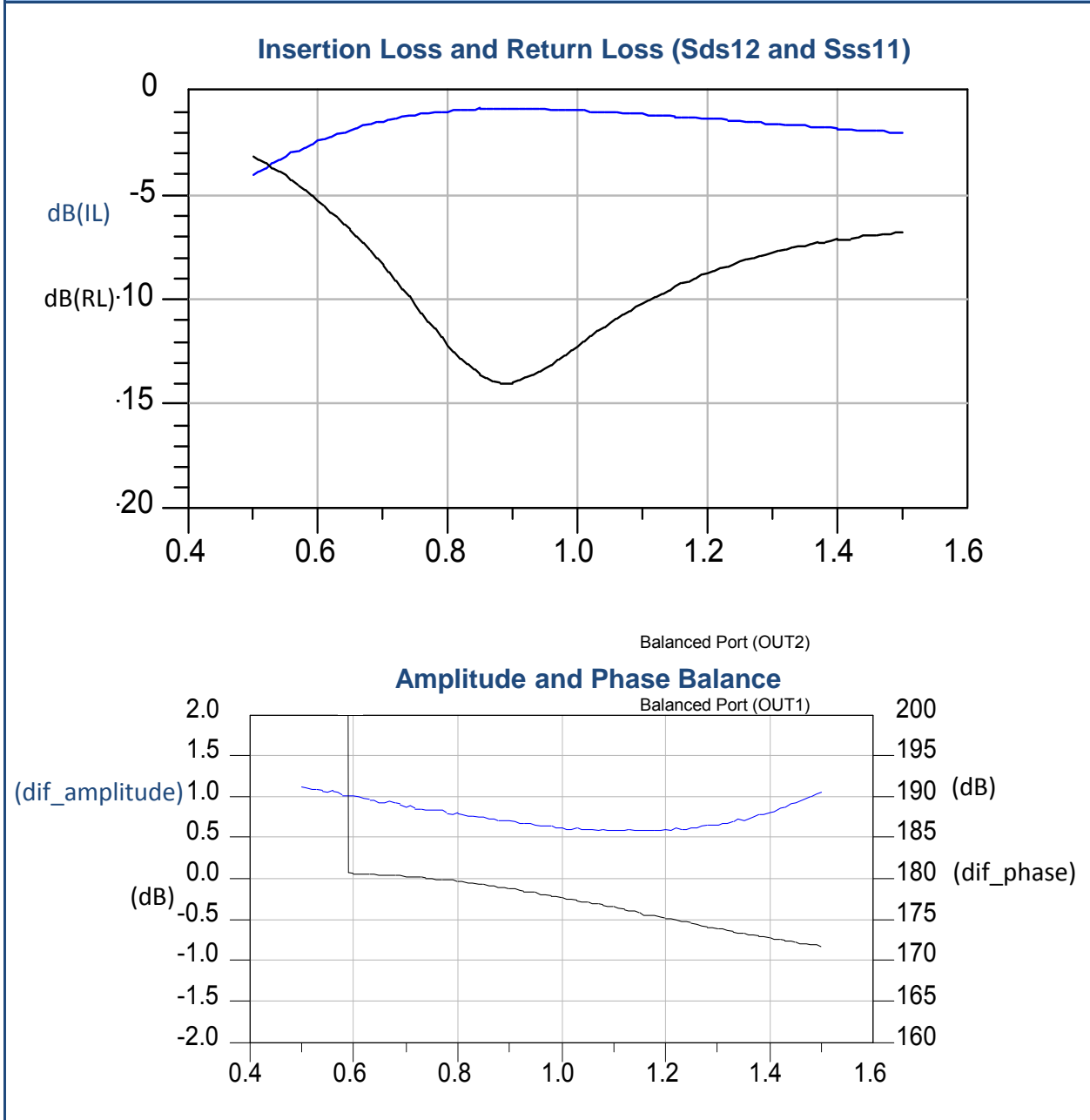
900MHz 1:1 RF Balun, EIA 0805 with DC-Feed Feature

P/N 0900BL15C050

Detail Specification: 8/4/2016

Page 3 of 4

Typical Electrical Characteristics (T=25°C)



Johanson Technology, Inc. reserves the right to make design changes without notice.

All sales are subject to Johanson Technology, Inc. terms and conditions.



www.johansontech.com

4001 Calle Tecate • Camarillo, CA 93012, USA • TEL +1.805.389.1166

Ver 1.2

2014 Johanson Technology, Inc. All Rights Reserved

High Frequency Ceramic Solutions

900MHz 1:1 RF Balun, EIA 0805 with DC-Feed Feature

P/N 0900BL15C050

Detail Specification: 8/4/2016

Page 4 of 4

More Filter-Balun info such as s-parameters and other frequencies at:

<http://www.johansontechnology.com/rfbaluns>

Packaging information

www.johansontechnology.com/ipcpackaging.html

Soldering Information

www.johansontechnology.com/ipcsoldering-profile

MSL Info

www.johansontechnology.com/technical-notes/msl-rating.html

Recommended Storage Condition and Max Shelf Life

www.johansontechnology.com/ipcstorage-shelflife

RoHS Compliance

www.johansontechnology.com/technical-notes/rohs-compliance.html

Antenna layout and tuning techniques

www.johansontechnology.com/tuning

Antenna layout review, tuning, and characterization services

www.johansontechnology.com/ipcantennaservices

Balanced Port (OUT1)

Johanson Technology, Inc. reserves the right to make design changes without notice.

All sales are subject to Johanson Technology, Inc. terms and conditions.



www.johansontechnology.com

4001 Calle Tecate • Camarillo, CA 93012, USA • TEL +1.805.389.1166

Ver 1.2

2014 Johanson Technology, Inc. All Rights Reserved

Mouser Electronics

Authorized Distributor

Click to View Pricing, Inventory, Delivery & Lifecycle Information:

[Johanson:](#)

[0900BL15C050E](#)